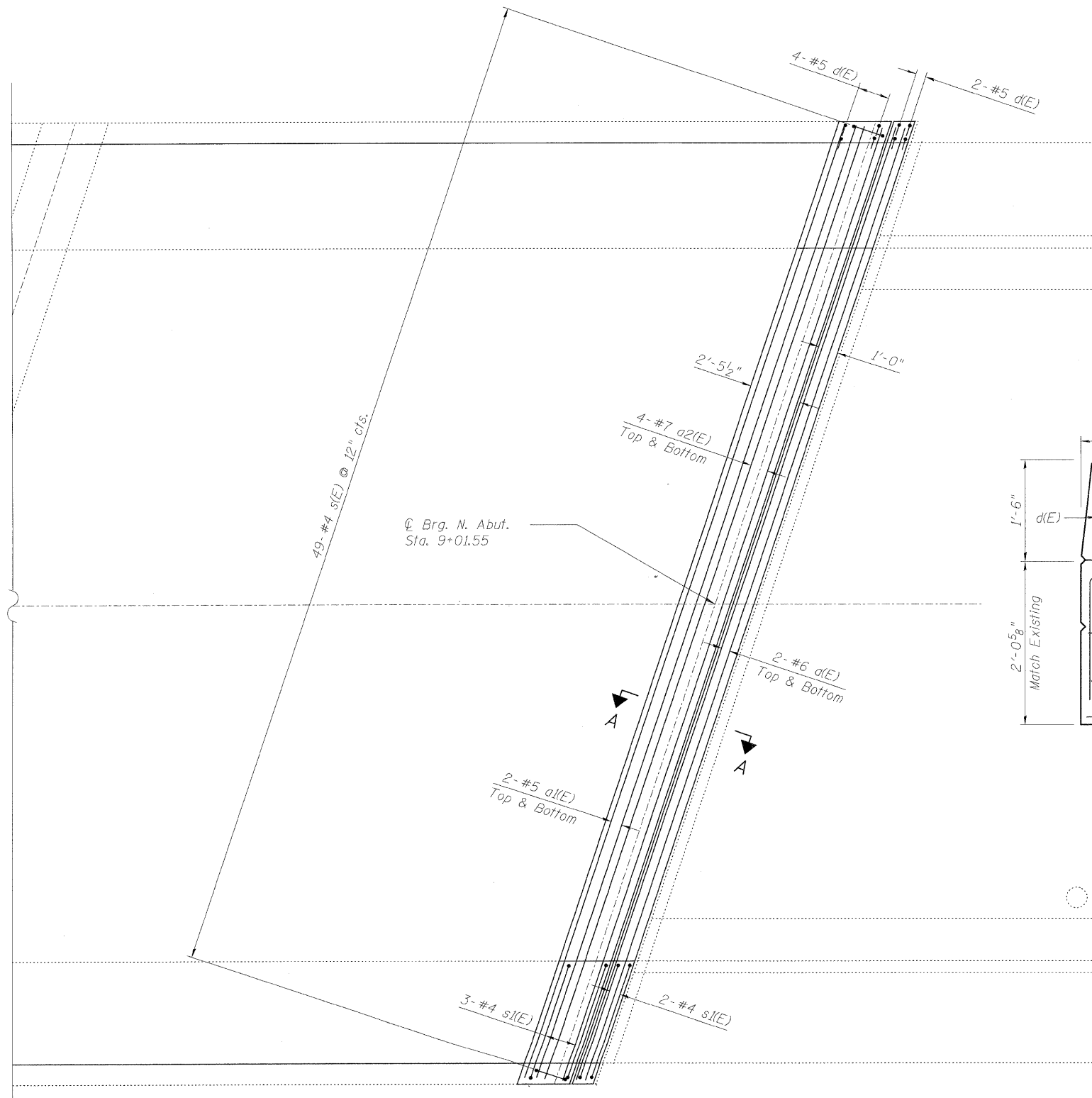
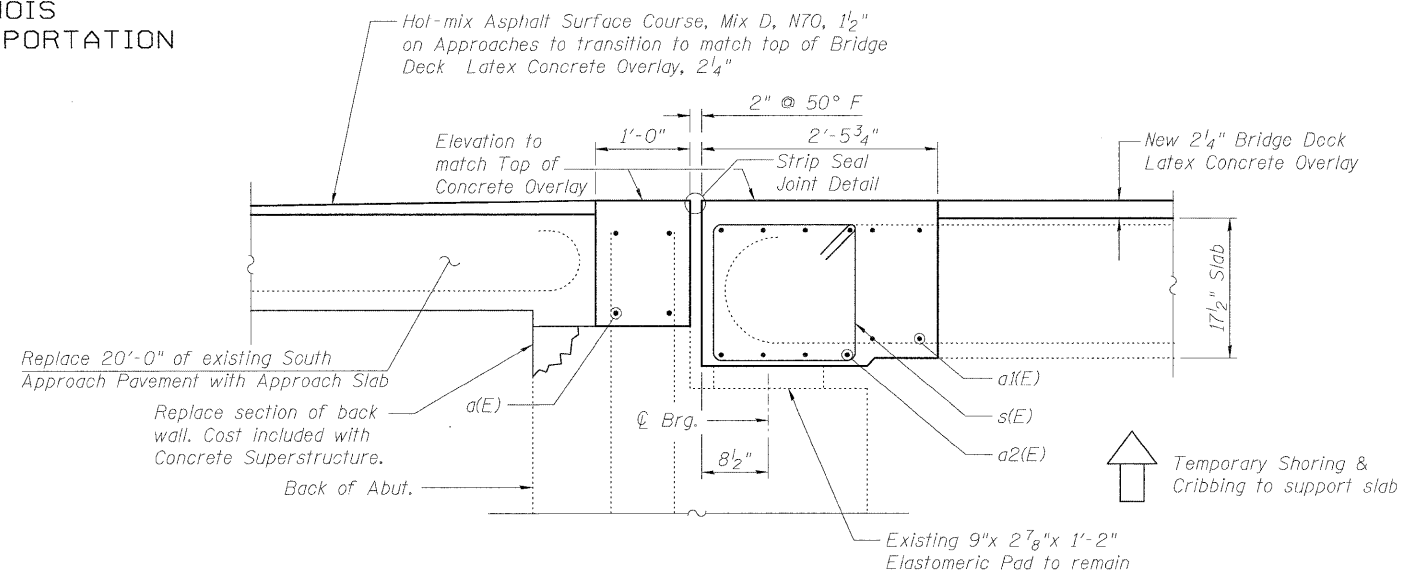


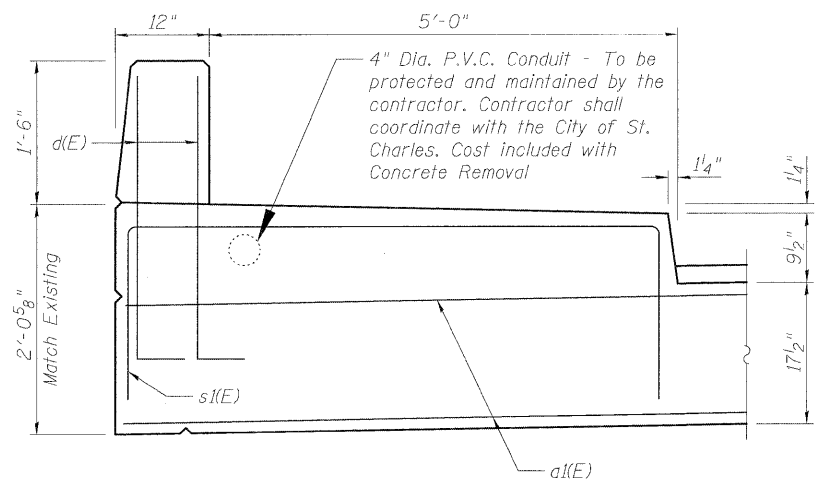
STATE OF ILLINOIS
DEPARTMENT OF TRANSPORTATION



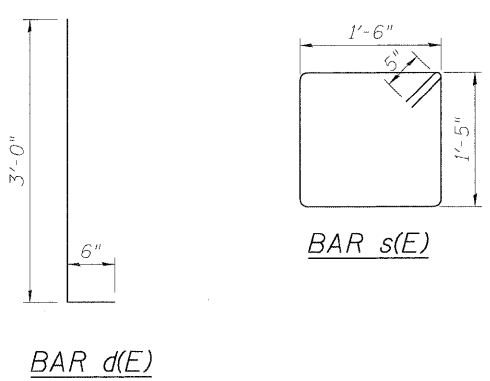
EXPANSION JOINT PLAN
(North Abutment shown -
South Abutment Similar)



SECTION A-A
SOUTH
(North similar, except no new Approach Slab.)



SECTION THRU SIDEWALK



BILL OF MATERIAL
North & South Abutments

No.	Size	Length	Shape
a(E)	#6	48'-0"	—
a1(E)	#5	48'-0"	—
a2(E)	#7	48'-0"	—
d(E)	#5	3'-6"	┌
s(E)	#4	5'-11"	□
s1(E)	#4	9'-4"	└
Concrete Removal		Cu. Yd.	18.2
Preformed Joint Strip Seal		Foot	98
Reinforcement Bars, Epoxy Coated		Pound	2950
Concrete Superstructure		Cu. Yd.	20.0

DESIGNED	BRT
CHECKED	BJM
DRAWN	JNH
CHECKED	BJM

Wight
Wight & Company
2500 North Frontage Road, Darien, IL 60561
630.969.7000 630.969.7979 fax
Design Firm Registration 184-000451

SHEET NO. 6 13 SHEETS	F.A.U. RTE.	SECTION	COUNTY	TOTAL SHEETS	SHEET NO.
	2503	39 EXT-VB-1	KANE	27	14
			CONTRACT NO. 60J48		
FED. ROAD DIST. NO. - ILLINOIS FED. AID PROJECT					

4/28/2010 1:50:27 PM Default G:\ENG\06-5329-02 D1 Various Structure\CAD\0450061\Sheet\0450061_005_Expansion_Joint_Replacement.dgn