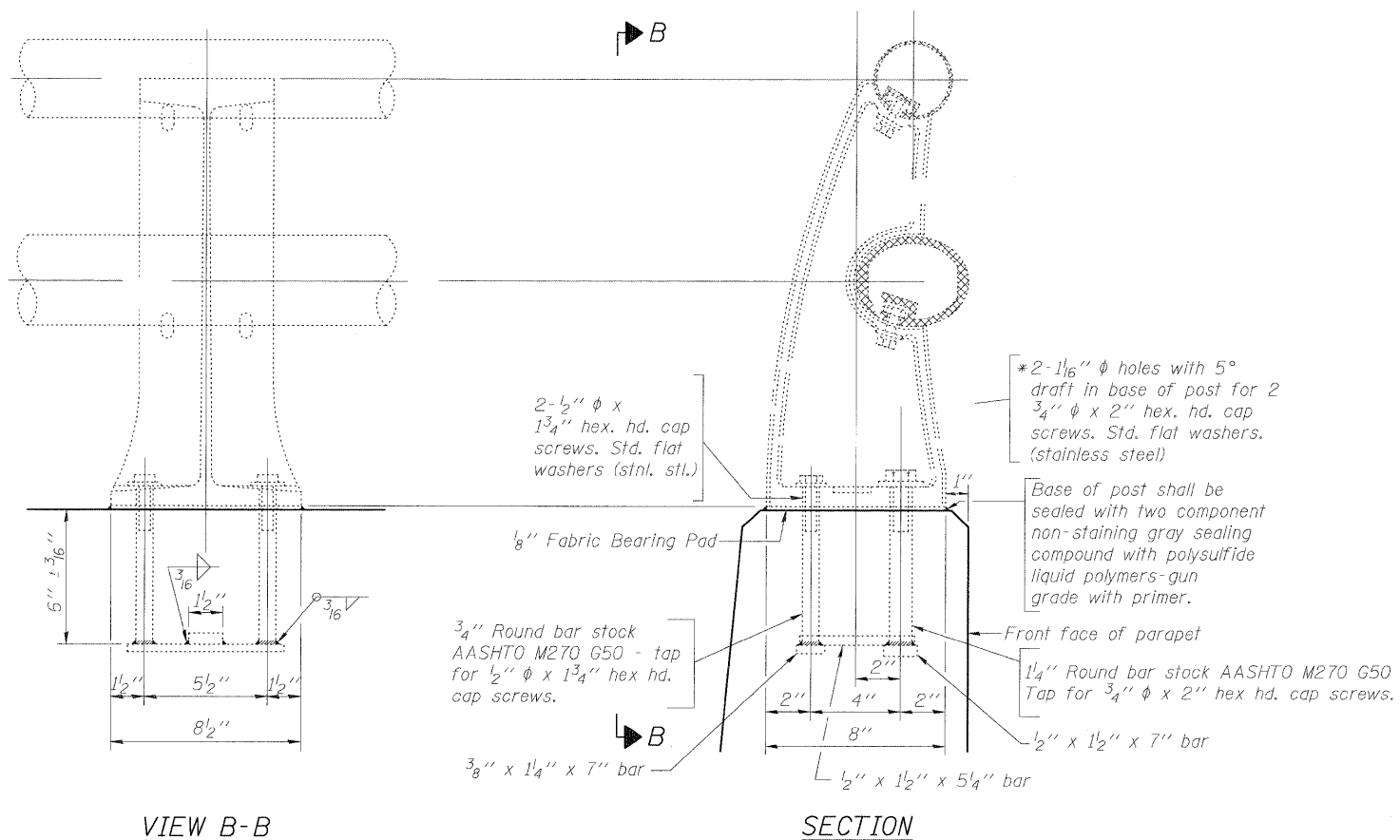


STATE OF ILLINOIS
DEPARTMENT OF TRANSPORTATION

Notes:

1. All posts shall be normal to parapet.
2. In lieu of the cast-in-place anchor device shown, the contractor has the option of drilling and setting stainless steel anchor rods of the same diameter and grade as the specified cap screws according to Article 509.06 of the Standard Specifications. Embedment shall be according to the manufacturer's specifications.
3. Removal and re-erection of the existing aluminum handrail, rail post, and all new applicable hardware, including labor and installation shall be included in the cost of Concrete Removal.



VIEW B-B

SECTION

RAIL POST DETAILS
STRUCTURE NO. 045-0061

DESIGNED	BRT
CHECKED	BJM
DRAWN	JNH
CHECKED	BJM



Wight & Company
2500 North Frontage Road . Darien . IL 60561
630.969.7000 630.969.7979 fax
Design Firm Registration 184-000451

SHEET NO. 8 13 SHEETS	F.A.U. RTE.	SECTION	COUNTY	TOTAL SHEETS	SHEET NO.
	2503	39 EXT-VB-1	KANE	27	16
			CONTRACT NO. 60J48		
FED. ROAD DIST. NO. - ILLINOIS FED. AID PROJECT					