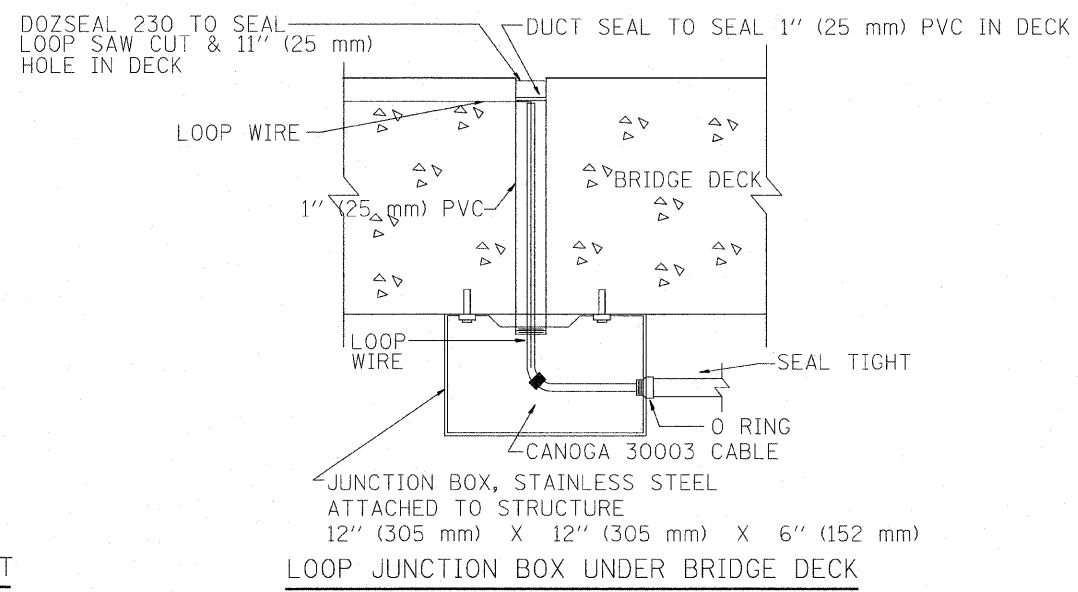
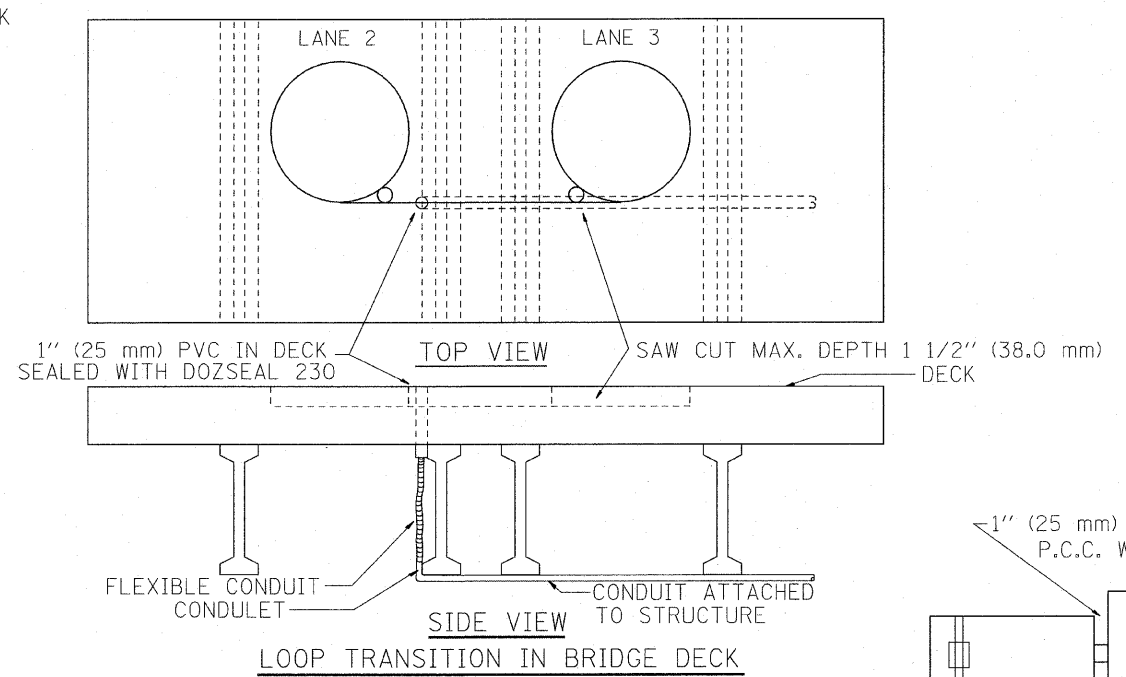


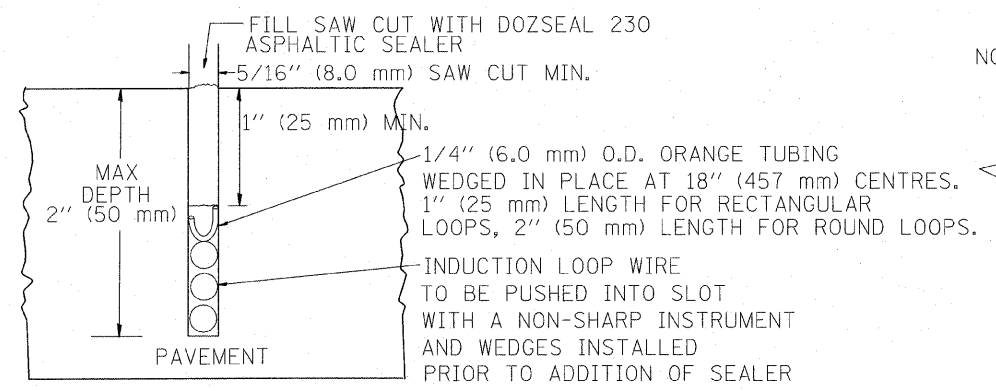
TYPICAL LOOP SAWCUT LAYOUT



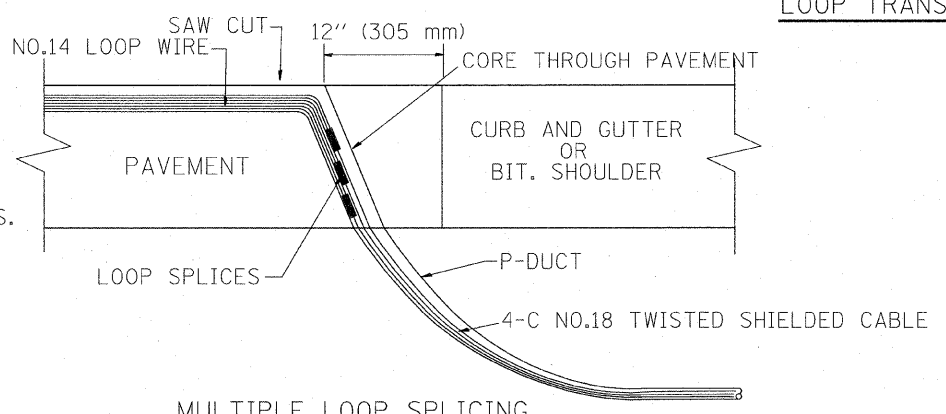
LOOP JUNCTION BOX UNDER BRIDGE DECK



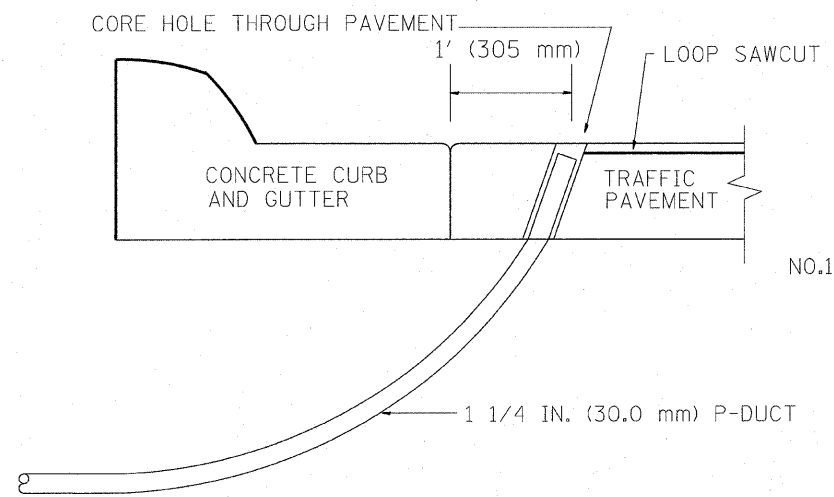
LOOP TRANSITION IN BRIDGE DECK



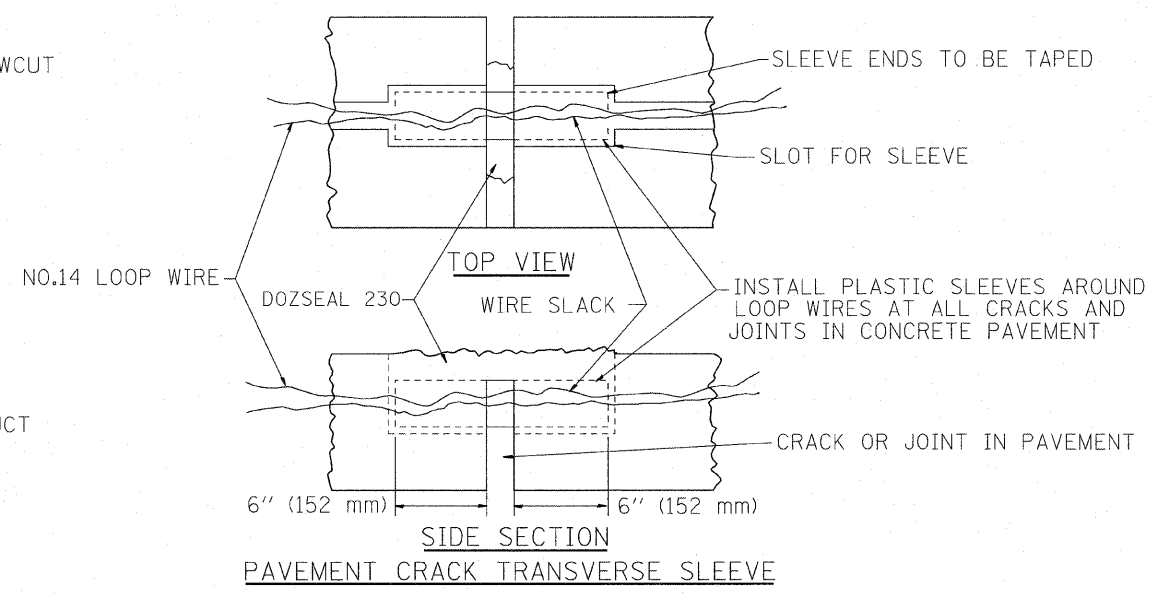
LOOP CROSS SECTION IN PAVEMENT



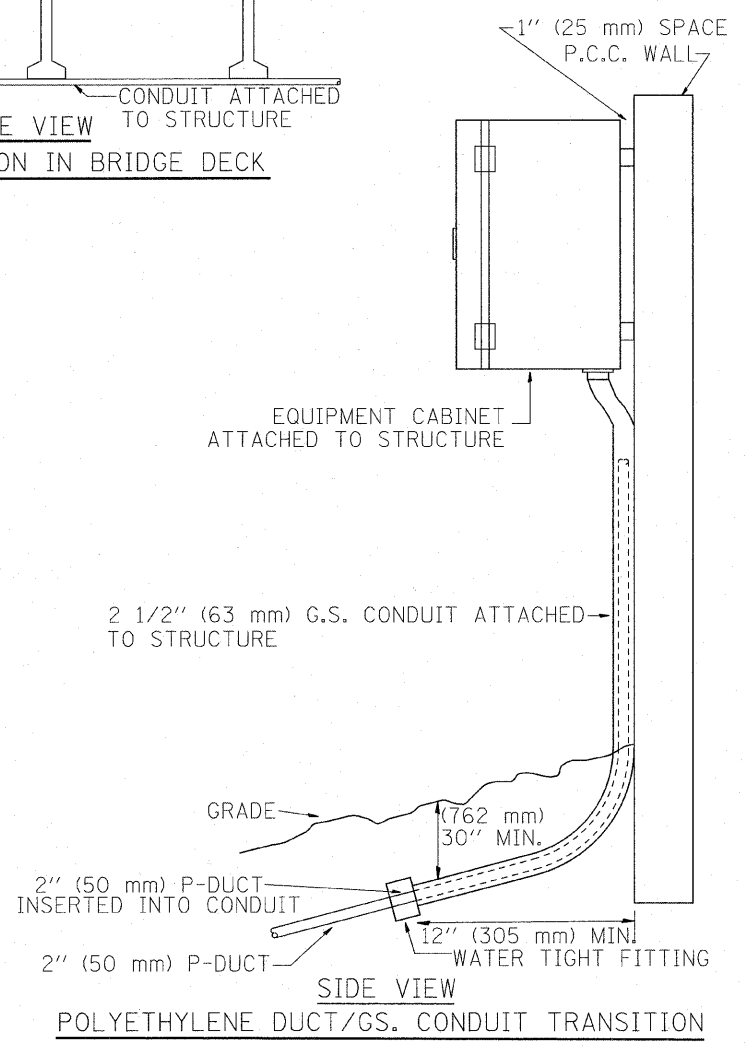
MULTIPLE LOOP SPLICING



SIDE SECTION LOOP LEAD-IN TRANSITION DETAIL



SIDE SECTION PAVEMENT CRACK TRANSVERSE SLEEVE



POLYETHYLENE DUCT/GS. CONDUIT TRANSITION

FILE NAME = P:\P-87-1688-11\Gen\180NAPERVTYP.dgn	USER NAME = rdahhan	DESIGNED - R.L.	REVISED - 06/94	STATE OF ILLINOIS DEPARTMENT OF TRANSPORTATION TRAFFIC SYSTEMS CENTER	LOOP, CONDUIT & DUCT INSTALLATION DETAILS		F.A. RTE.	SECTION	COUNTY	TOTAL SHEETS	SHEET NO.	
		DRAWN - G.M.	REVISED - 03/95		SCALE: NONE	SHEET NO. OF SHEETS	STA. TO STA.	CONTRACT NO.				
		CHECKED - R.L.	REVISED - 11/95					FED. ROAD DIST. NO. [ILLINOIS] FED. AID PROJECT				
		DATE - 06/22/94	REVISED - 10/96									