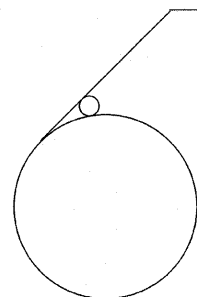


LANE 1

LANE 2

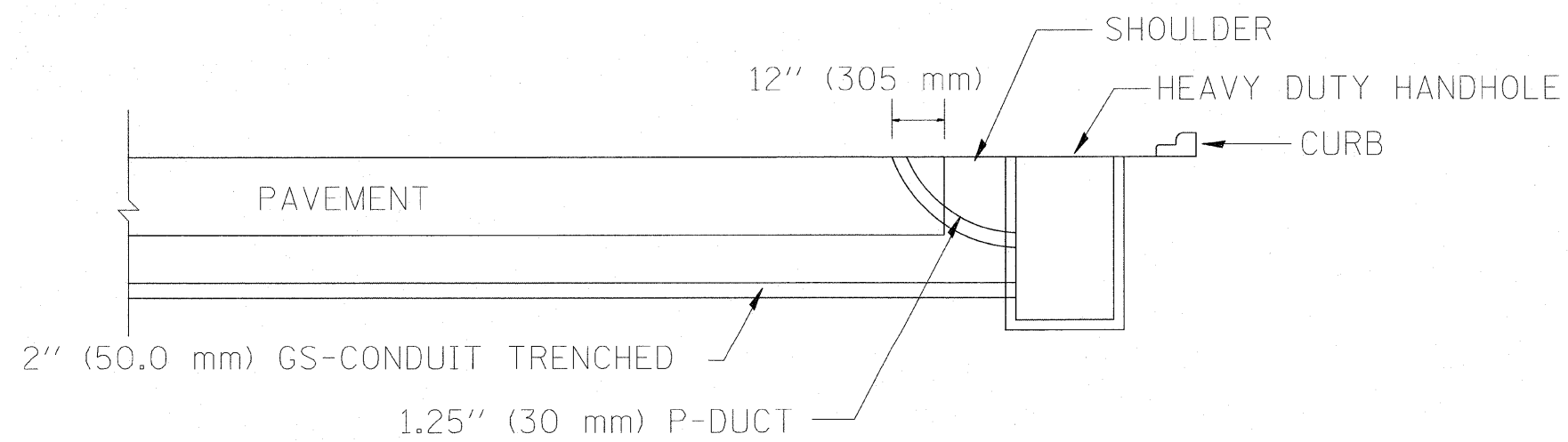
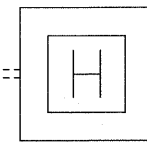
LANE 3



CORE HOLE 12" (305 mm) MIN.

1.25" (30 mm) P-DUCT

SHOULDER



FILE NAME = P:\P-07-1600-11\Gen\10\NAFERVYP.dgn	USER NAME = rdahhan	DESIGNED - R.L.	REVISIONS - R.L.	STATE OF ILLINOIS DEPARTMENT OF TRANSPORTATION TRAFFIC SYSTEMS CENTER	DIVE HOLE DUCT SYSTEM		F.A. RTE.	SECTION	COUNTY	TOTAL SHEETS	SHEET NO.	
		DRAWN - G.M.	REVISIONS - T.C.		SCALE: NONE	SHEET NO. OF SHEETS	STA. TO STA.	CONTRACT NO.		74	53	
		CHECKED - R.L.	REVISIONS -				FED. ROAD DIST. NO.		ILLINOIS FED. AID PROJECT			
		DATE - 11/7/95	REVISIONS -									

TRAFFIC SYSTEMS CENTER (TY-1TSC-418#8)