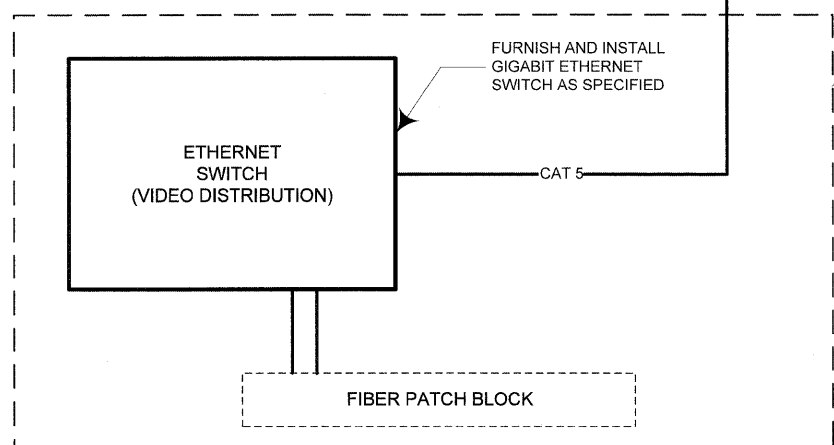
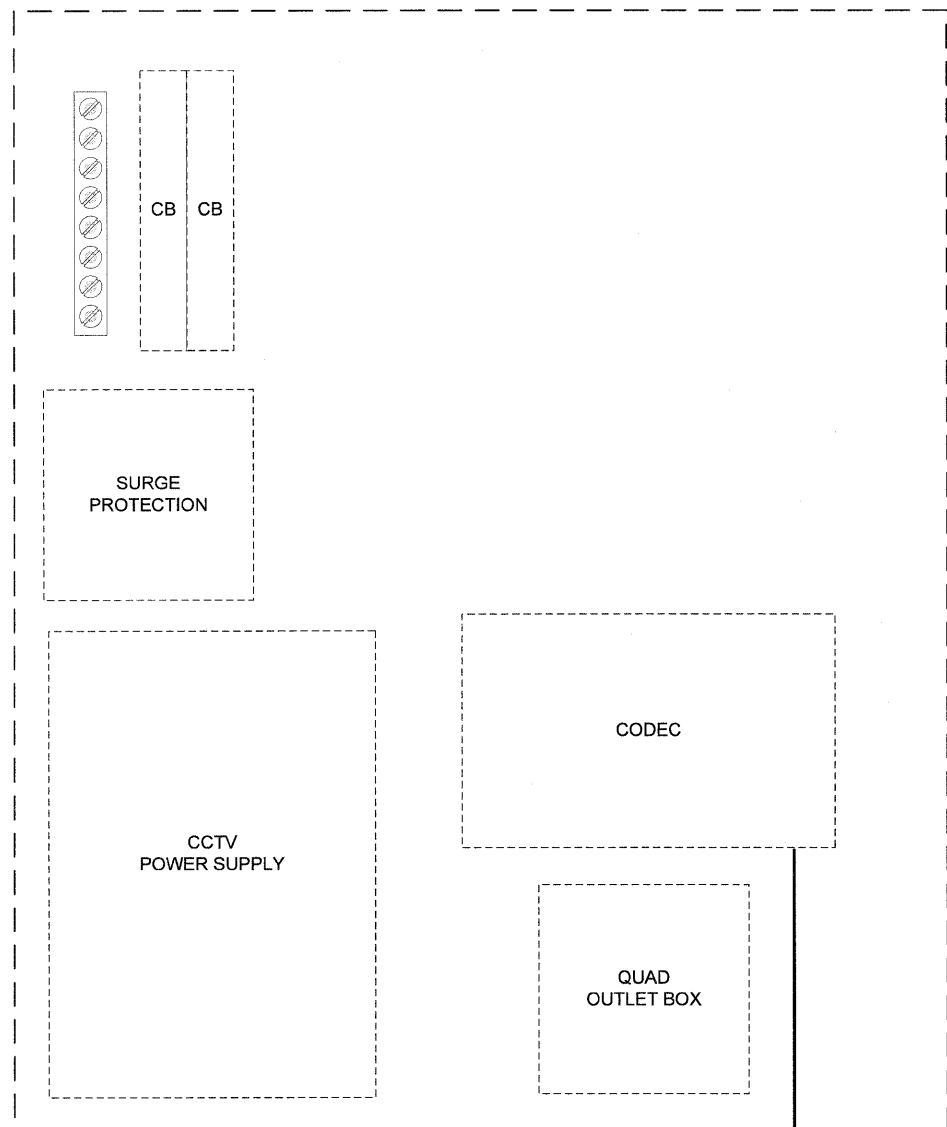
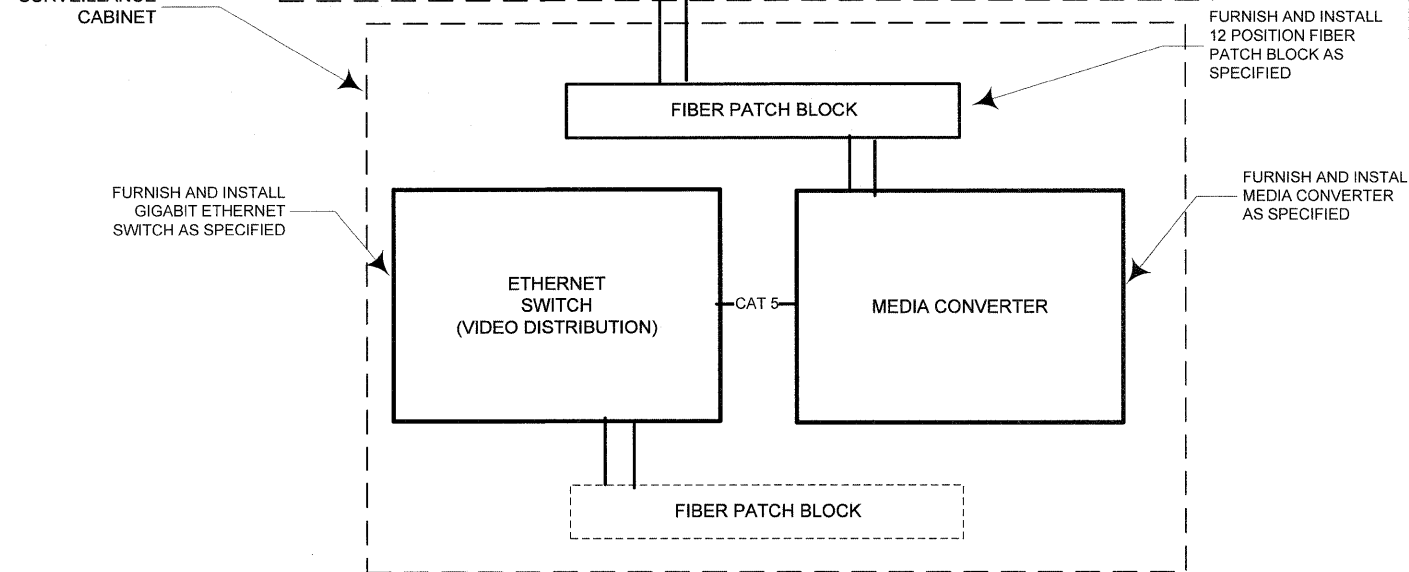
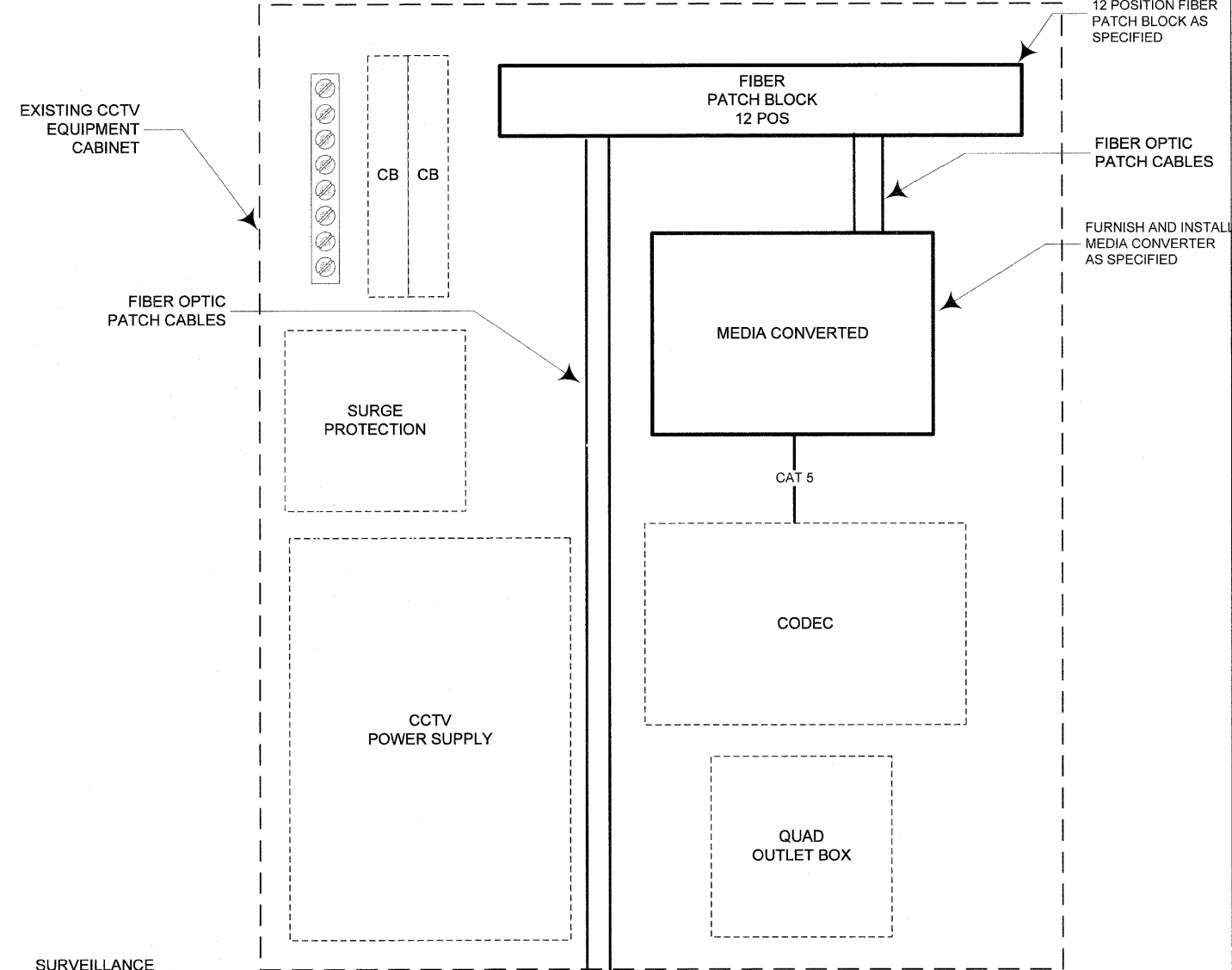


MODIFICATION OF EXISTING CCTV INSTALLATION FOR FIBER OPTIC COMMUNICATIONS. ETHERNET



MODIFICATION OF EXISTING CCTV INSTALLATION FOR FIBER OPTIC COMMUNICATIONS. FIBER



FILE NAME	USER NAME	DESIGNED	REVISED
		DRAWN	REVISED
	PLOT SCALE	CHECKED	REVISED
	PLOT DATE	DATE	REVISED

**STATE OF ILLINOIS
DEPARTMENT OF TRANSPORTATION**

**CCTV CAMERA EXPANSION - FAI 55 (LORENZO RD. TO I-80)
MODIFICATION OF EXIST. CCTV INST. FOR FIBER OPTIC COMMUNICATIONS**

SCALE: NONE SHEET NO. ___ OF ___ SHEETS STA. _____ TO STA. _____

F.A. RTE.	SECTION	COUNTY	TOTAL SHEETS	SHEET NO.
55	2009-139 SG	WILL		73
CONTRACT NO.			60K06	
ILLINOIS FED. AID PROJECT				