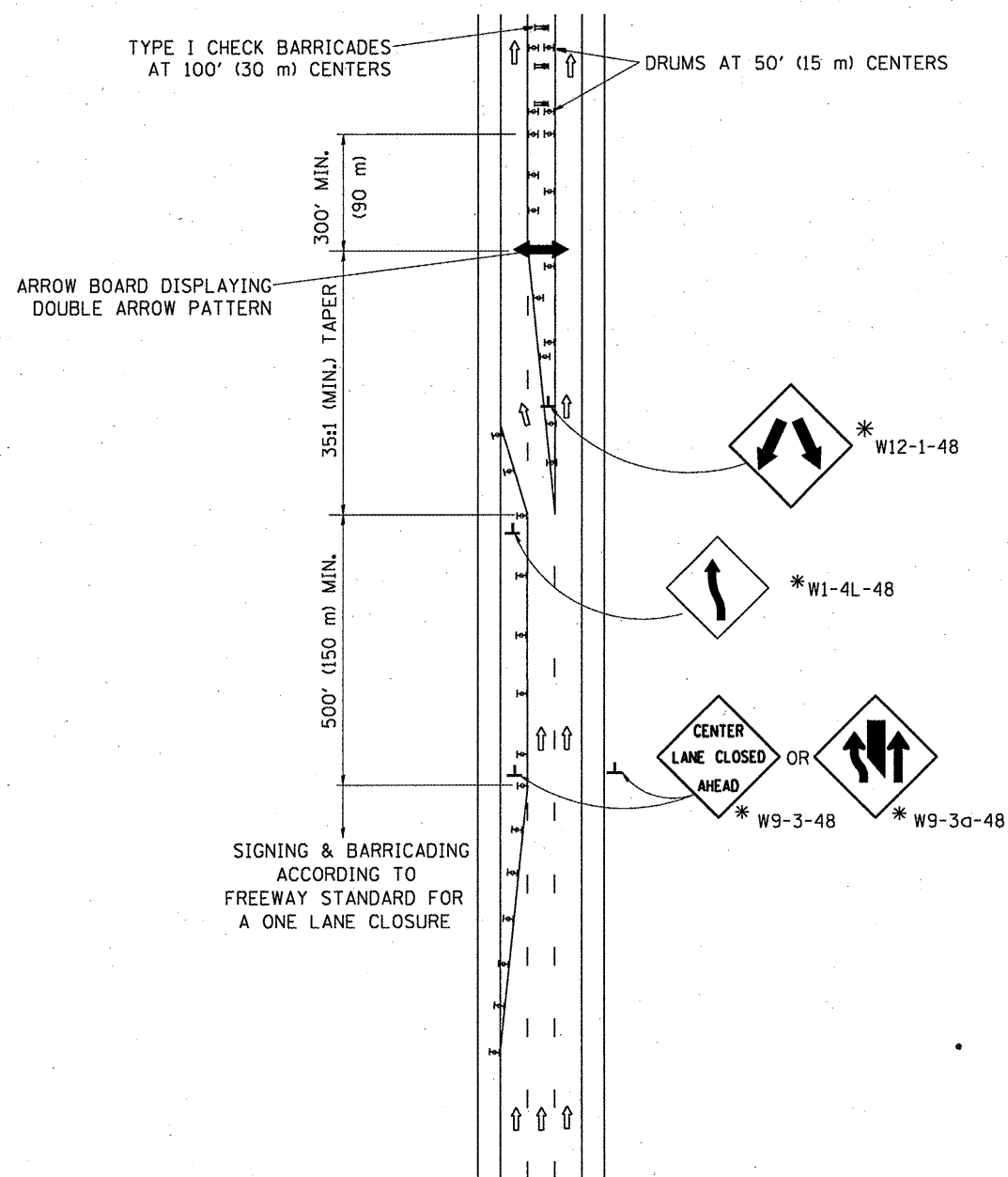
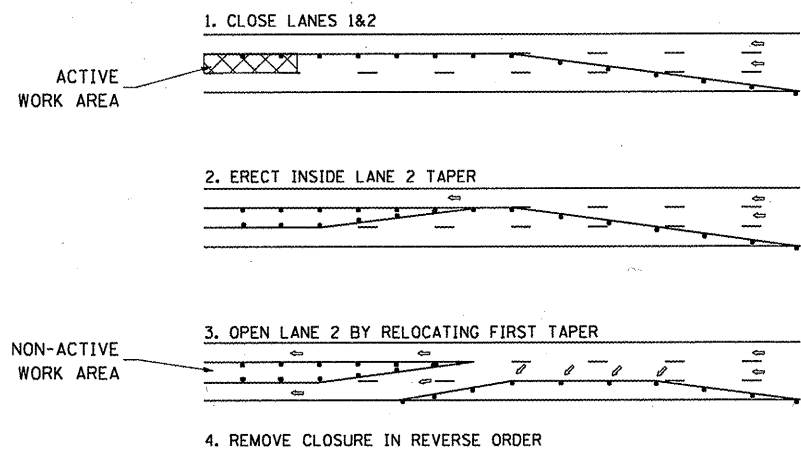


CENTER LANE CLOSURE



INSTALLATION SEQUENCE

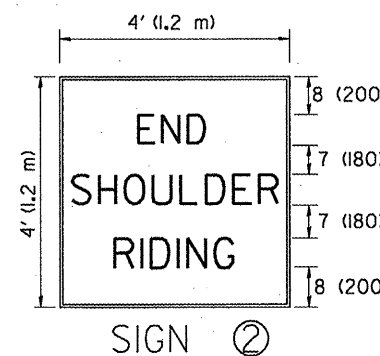
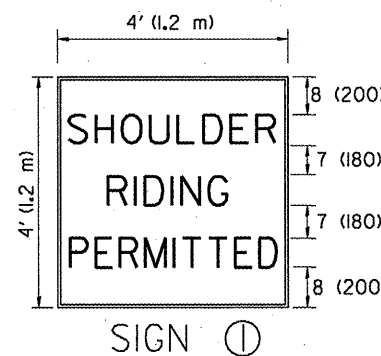
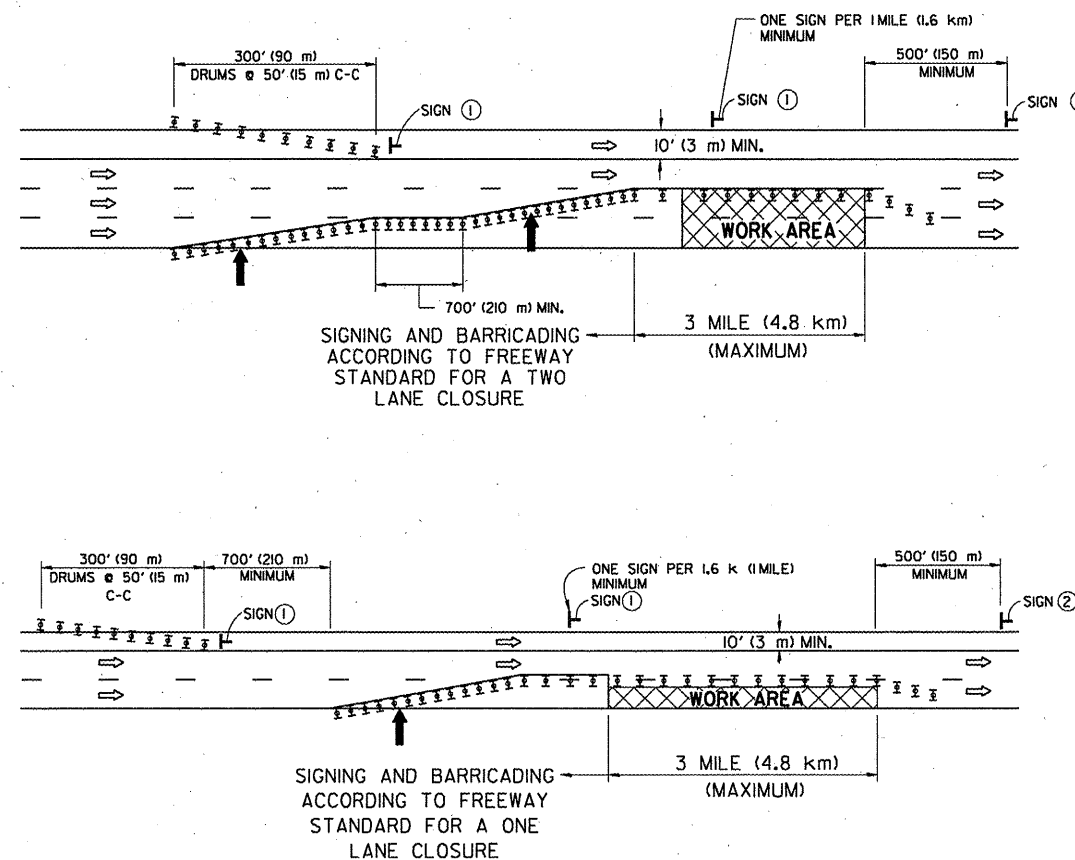


NOTES

- DRUMS WITH STEADY BURN LIGHTS SHALL BE USED AT 50' (15 m) CENTERS ON ALL TAPERS AND TANGENTS IN ADVANCE OF WORK AREA.
- CLOSURE SHALL BE USED ONLY FOR OPERATIONS LASTING 72 HOURS OR LESS.
- CENTER LANE CLOSURE CONFIGURATION IS NOT TO BE USED WITH WORKERS PRESENT.

SHOULDER LANE

NOTE: CLOSURE SHALL BE USED ONLY FOR OPERATIONS LASTING 72 HOURS OR LESS.



6 (150) SERIES "C" LEGEND
BLACK LEGEND
WHITE REFLECT. BACKGROUND
1(25) BORDER

SYMBOLS

- ↑ DIRECTION OF TRAFFIC
- ARROWBOARD
- ▣ ACTIVE WORK AREA
- ⊥ SIGN ON PORTABLE OR PERMANENT SUPPORT *
- ⊥ TYPE II BARRICADE, OR DRUM WITH MONO-DIRECTIONAL STEADY BURN LIGHT

ALL DIMENSIONS ARE IN INCHES (MILLIMETERS) UNLESS OTHERWISE SHOWN

Added Sheet 5-27-10 * ALL SIGNS SHALL BE MOUNTED AT A MINIMUM HEIGHT OF 5' (1.5 m).

FILE NAME =	USER NAME = wilgreendp	DESIGNED -	REVISED - J.A.F. 04-03
ct:\pw_work\p1dot\wilgreendp\d8183633\DistStd.dgn		DRAWN -	REVISED - S.P.B. 01-07
	PLOT SCALE = 1/8" = 1' IN.	CHECKED -	REVISED - S.P.B. 12-09
	PLOT DATE = 5/3/2010	DATE -	REVISED -

STATE OF ILLINOIS
DEPARTMENT OF TRANSPORTATION

TRAFFIC CONTROL DETAILS FOR FREEWAY
CENTER LANE CLOSURE SHOULDER LANE

SCALE: NONE SHEET NO. 1 OF 1 SHEETS STA. TO STA.

F.A. RTE.	SECTION	COUNTY	TOTAL SHEETS	SHEET NO.
VAR.	2010-021PP	LK. & MCH	25	25A
TC-25		CONTRACT NO. 60K40		
FED. ROAD DIST. NO. 1 ILLINOIS FED. AID PROJECT				