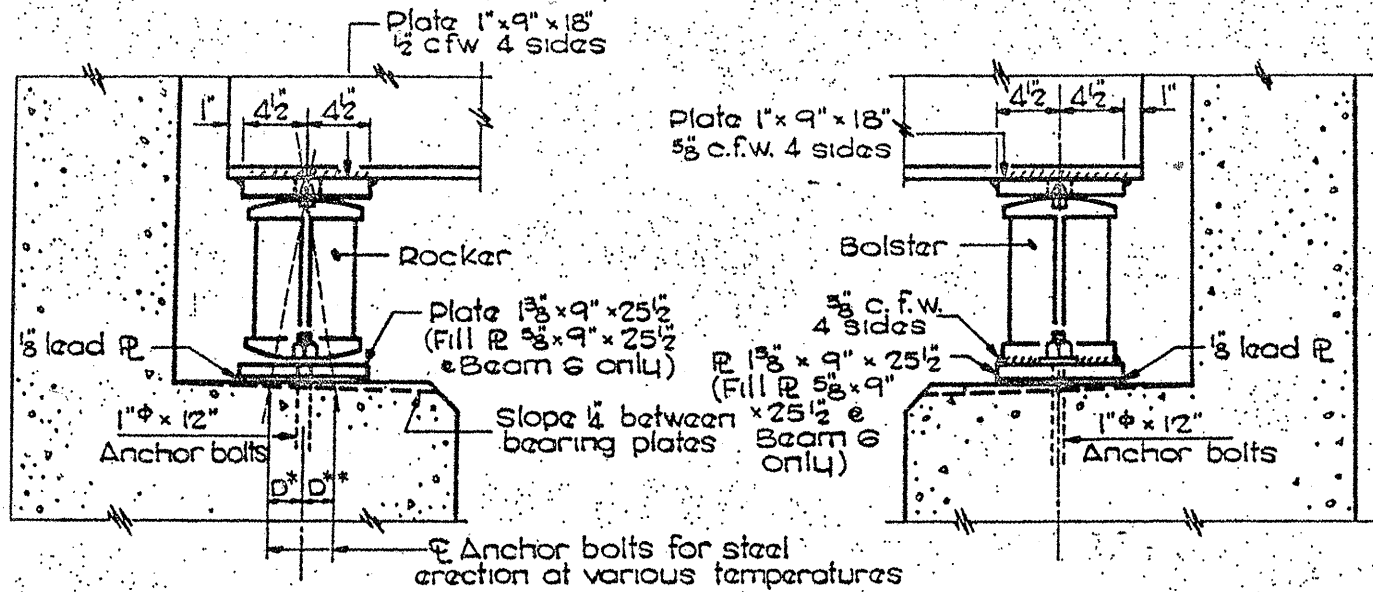


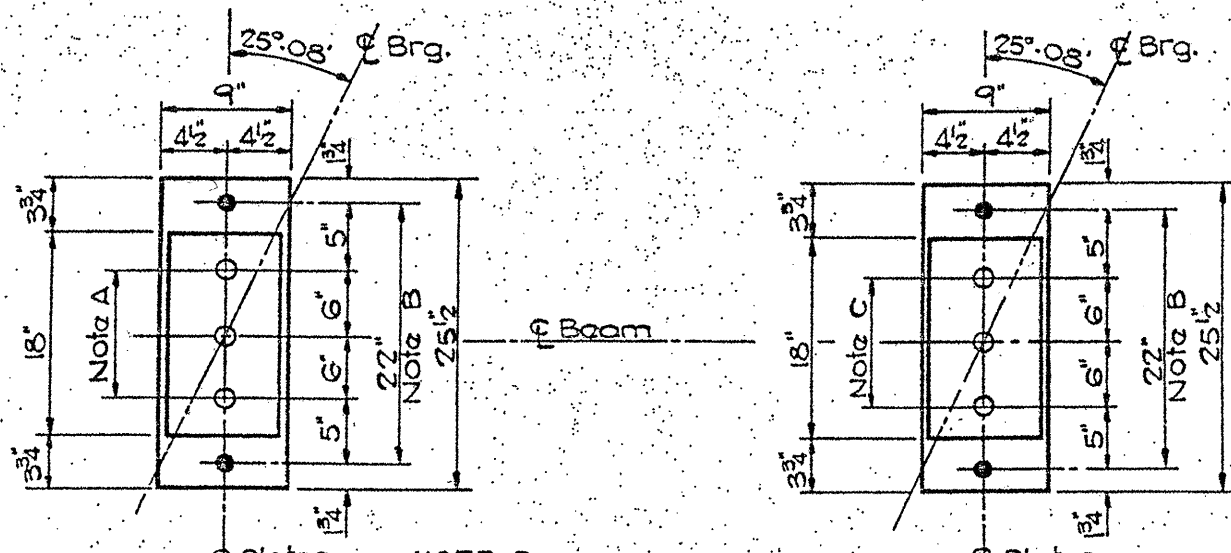
ROUTE	SECTION	COUNTY	TOTAL SHEETS	SHEET NUMBER
FAP 338 & 349	2010-022 BP	DUPAGE & KENDALL	25	10

CONTRACT NO. 60K49



ELEVATION

ELEVATION



PLAN

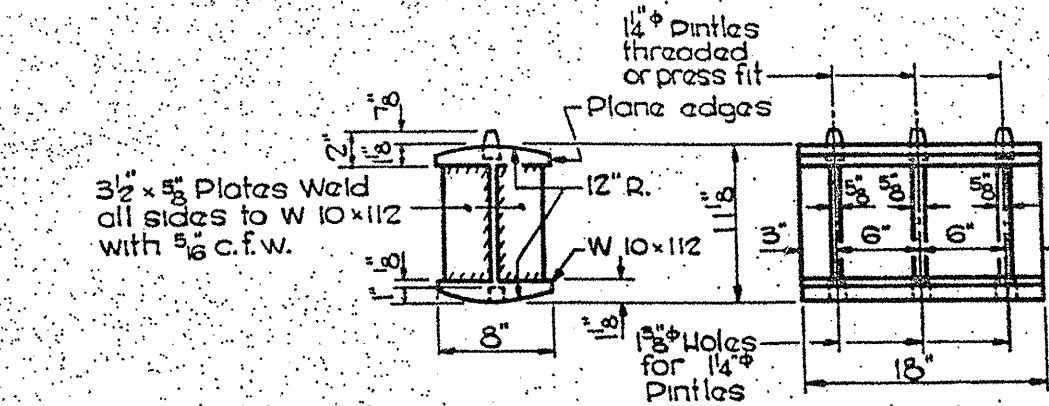
PLAN

NORTH ABUT.

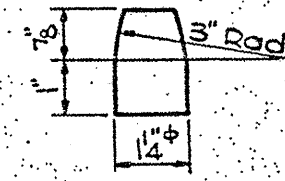
SOUTH ABUT.

BEARING ASSEMBLY DETAILS

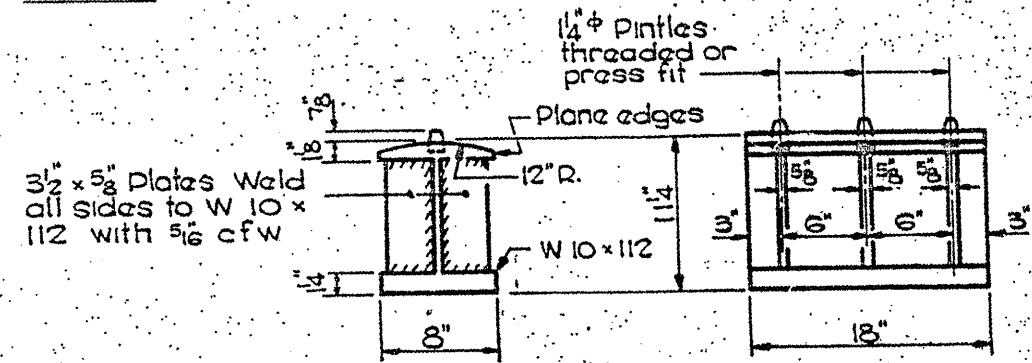
Beams 1, 2 and 5, 6, 7



ROCKER DETAILS



PINTLE



BOLSTER DETAILS

FOR INFORMATION ONLY

ILLINOIS DEPARTMENT OF
TRANSPORTATION

EXISTING BRIDGE PLAN
LOCATION 1: SN 022-0036