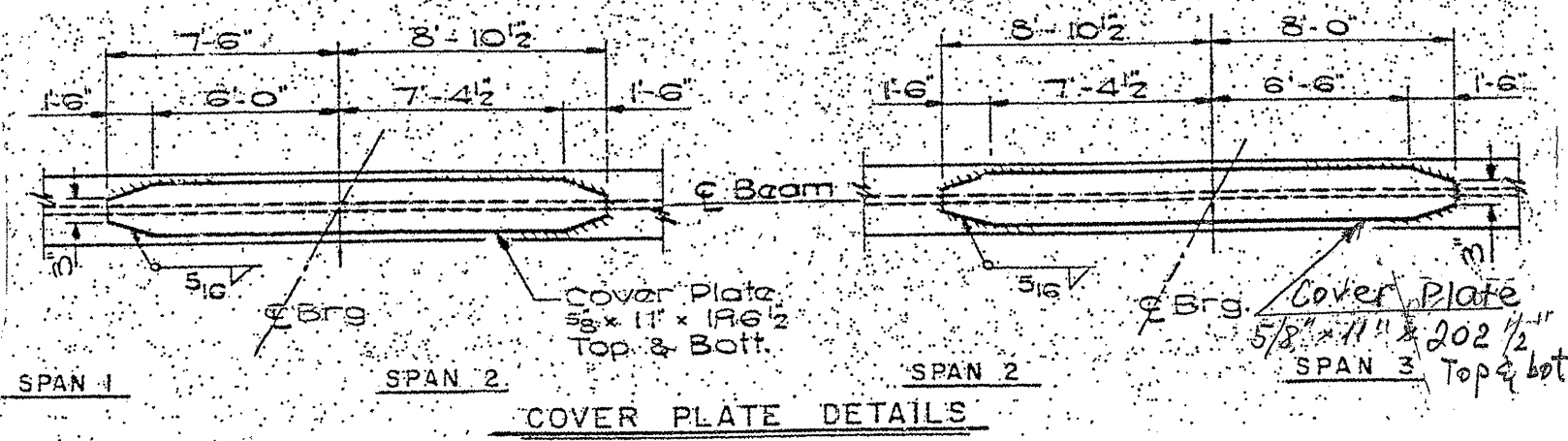
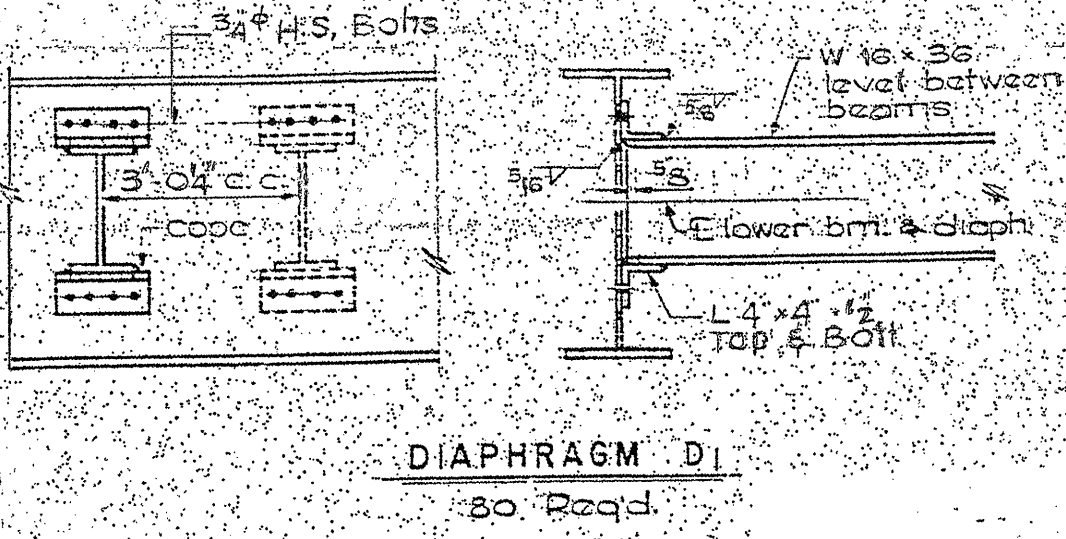
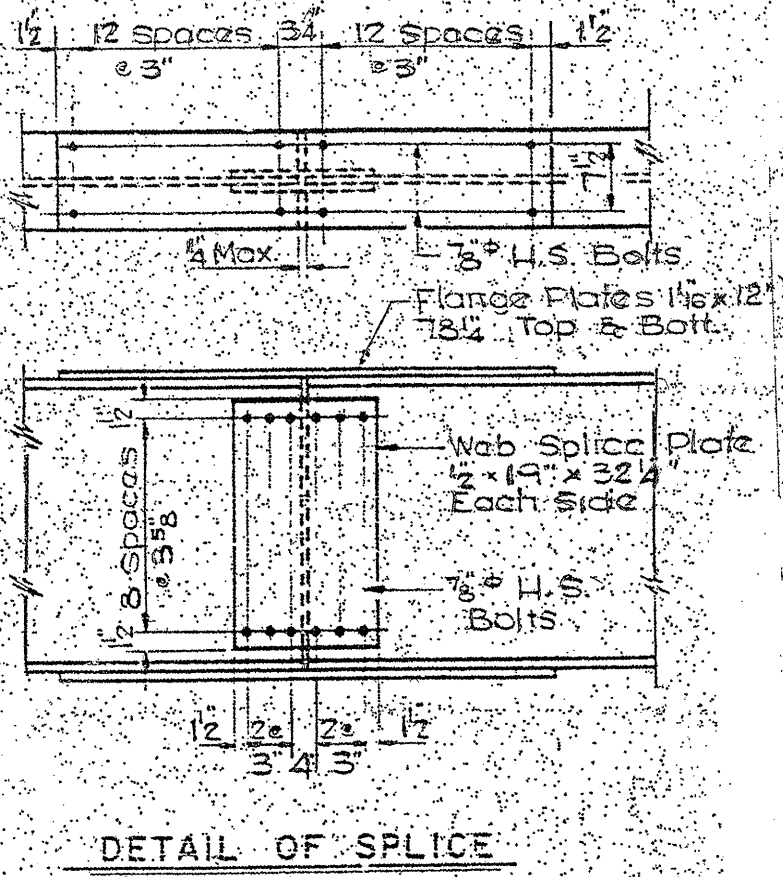
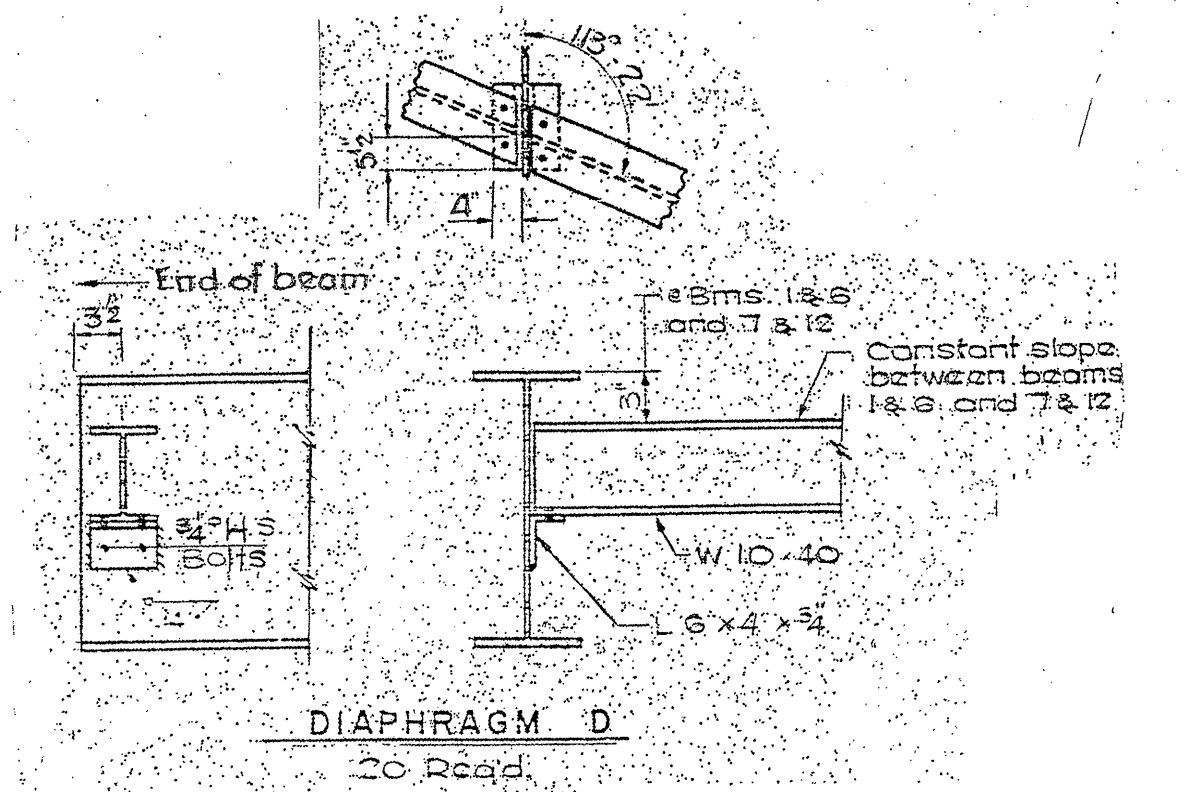
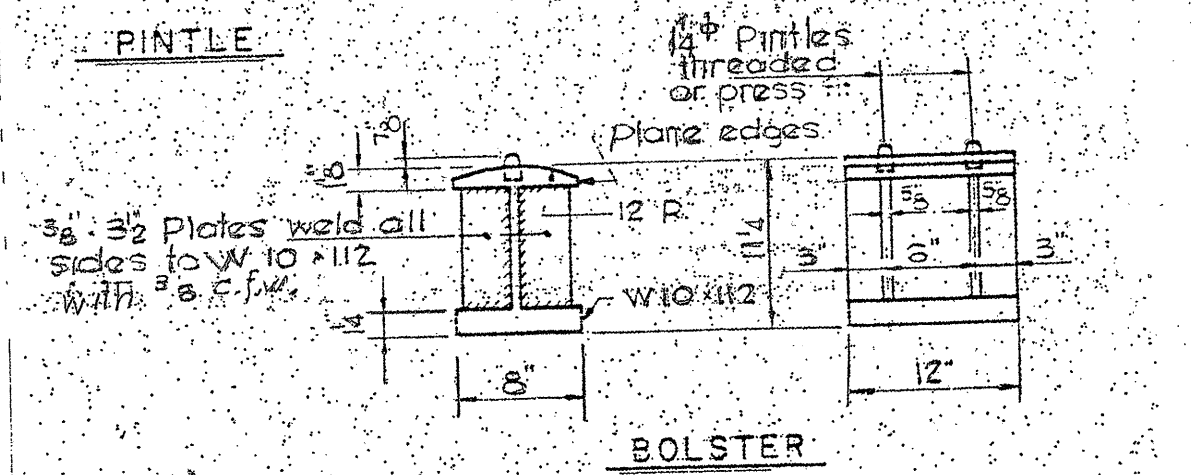
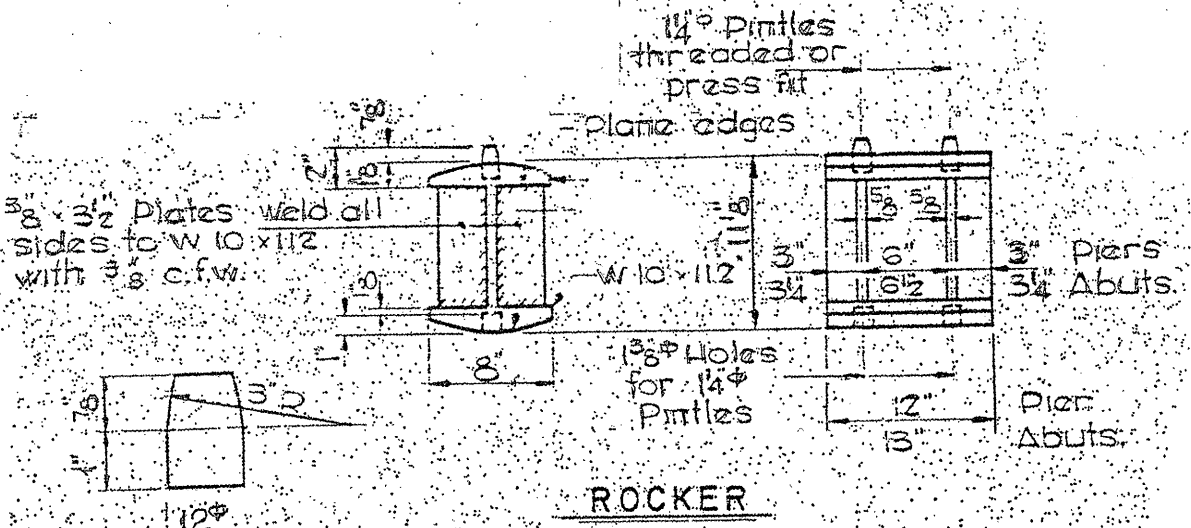


ROUTE	SECTION	COUNTY	TOTAL SHEETS	SHEET NUMBER
FAP 338 & 349	2010-022 BP	DUPAGE & KENDALL	25	14

CONTRACT NO. 60K49



FOR INFORMATION ONLY

ILLINOIS DEPARTMENT OF TRANSPORTATION  
EXISTING BRIDGE PLAN  
LOCATION 2: SN 022-0143