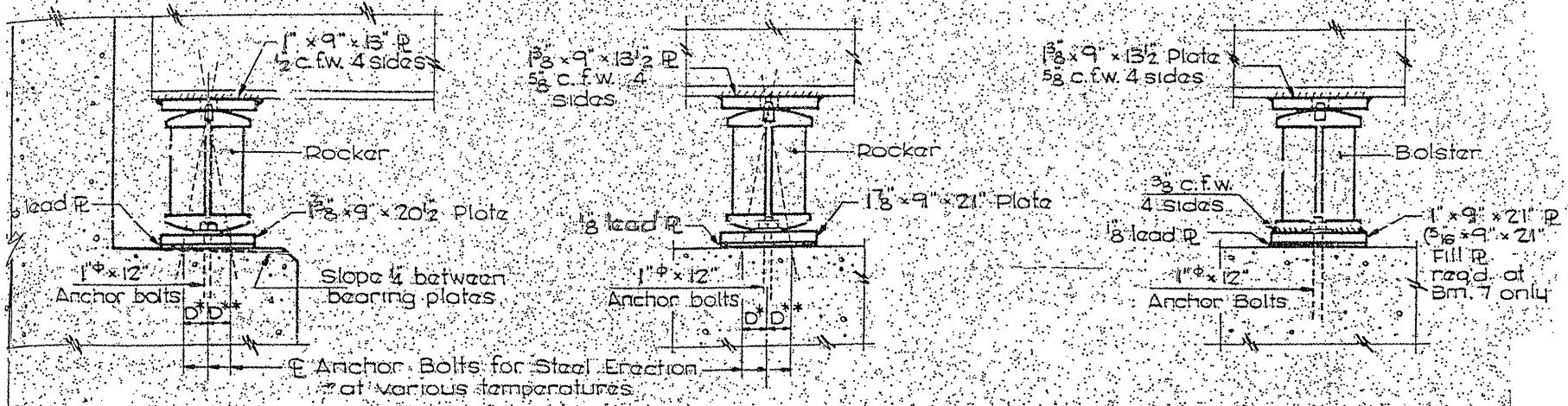


ROUTE	SECTION	COUNTY	TOTAL SHEETS	SHEET NUMBER
FAP 338 & 349	2010-022 BP	DUPAGE & KENDALL	25	18

CONTRACT NO. 60K49



SECTION AT ABUTMENTS

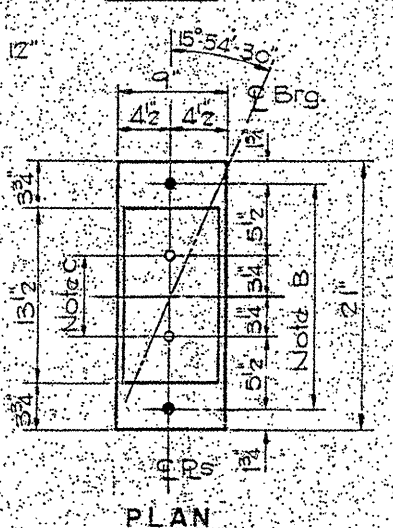
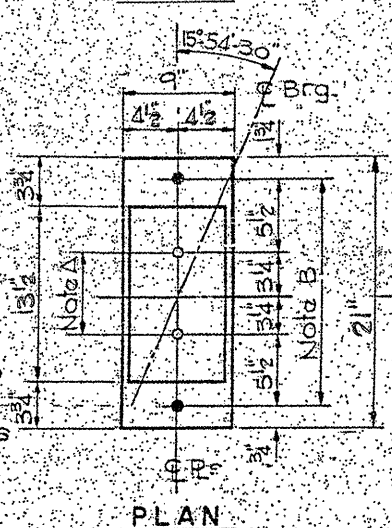
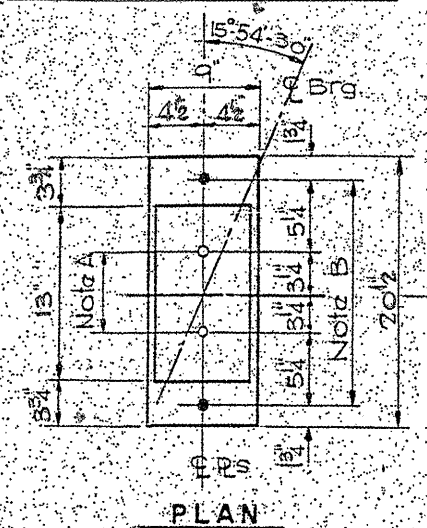
PIER 2

PIER 1

NOTE B:
 1/2" Holes for 1" x 12" anchor bolts
 2 1/2" x 2 1/2" x 5/16" P washer under nut

NOTE C:
 3/8" Holes 1" Deep in top P only for 1/4" Pintles

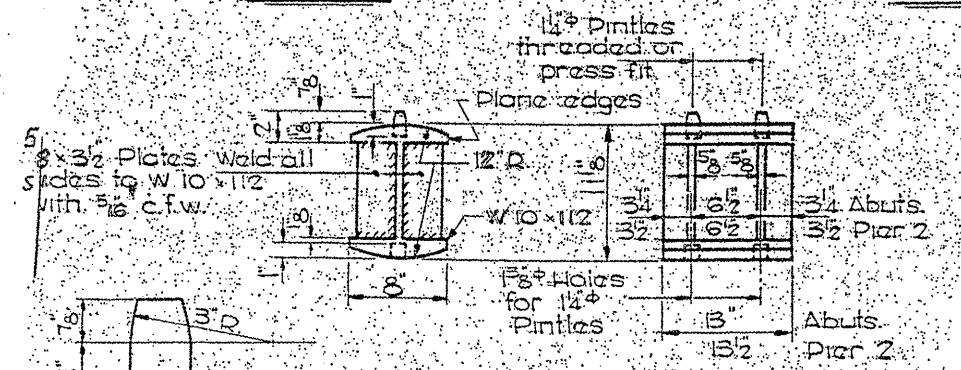
NOTE A:
 3/8" Holes 1" Deep in top P for pintles. Thread or press fit pintles into bottom P.



PLAN

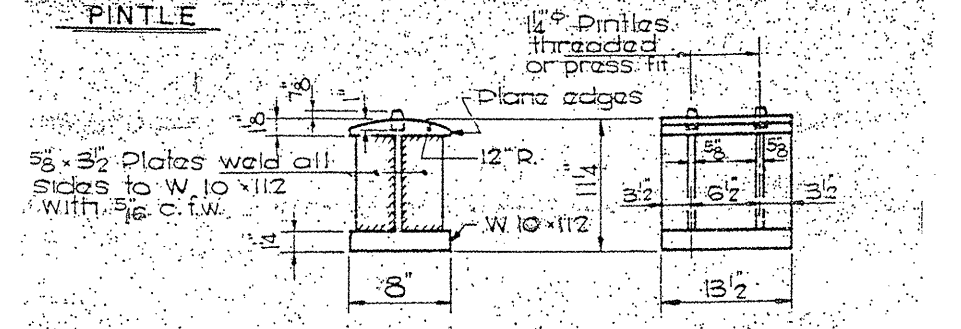
PLAN

PLAN

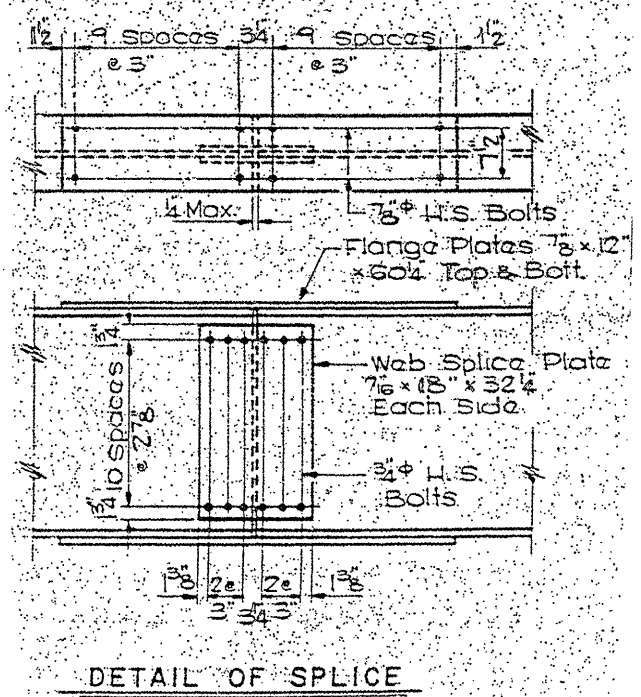


ROCKER

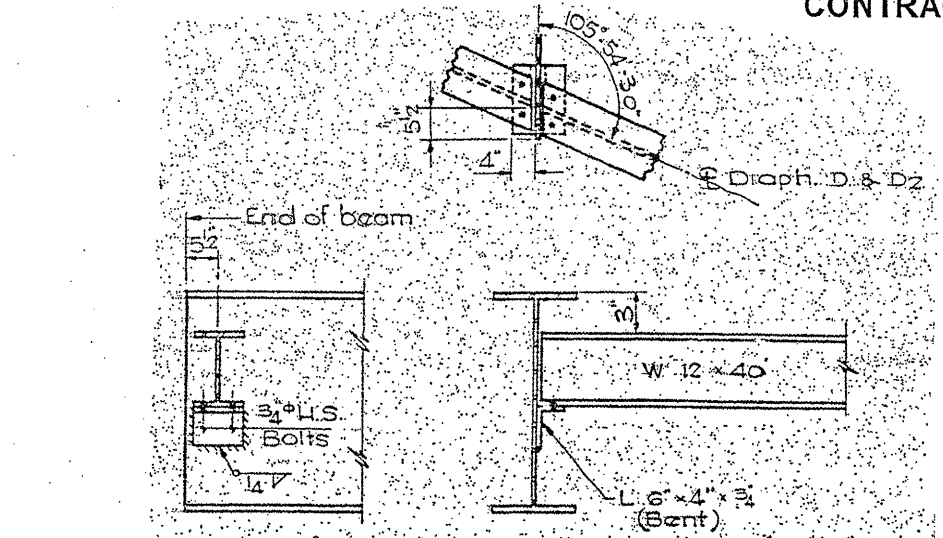
PINTLE



BOLSTER

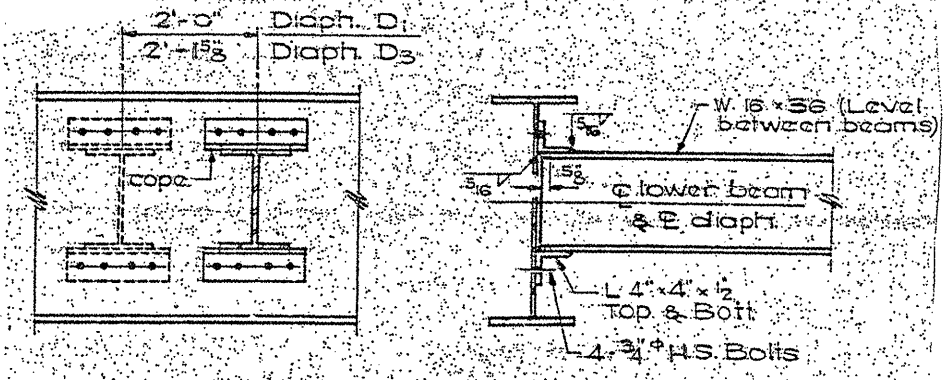


DETAIL OF SPLICE



DIAPHRAGMS D & D2

10 D Reqd. 8 D2 Reqd.



DIAPHRAGMS D1 & D3

45 D1 Reqd. 36 D3 Reqd.

FOR INFORMATION ONLY

ILLINOIS DEPARTMENT OF
 TRANSPORTATION
 EXISTING BRIDGE PLAN
 LOCATION 3: SN 022-0144