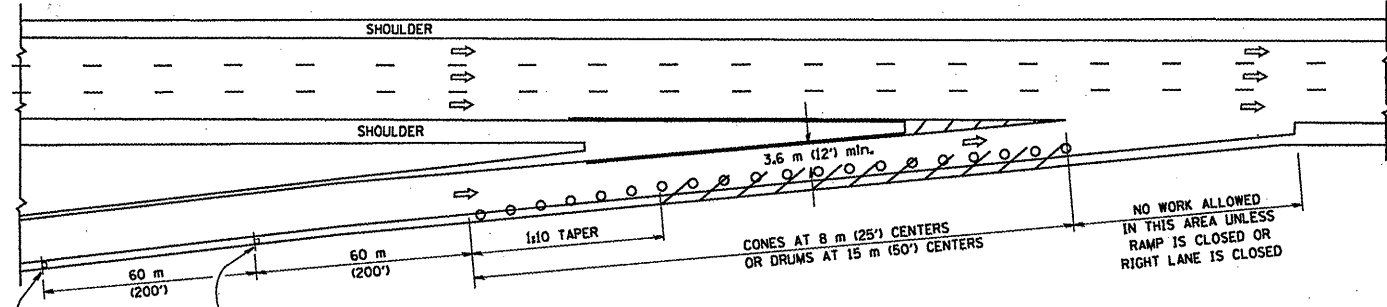


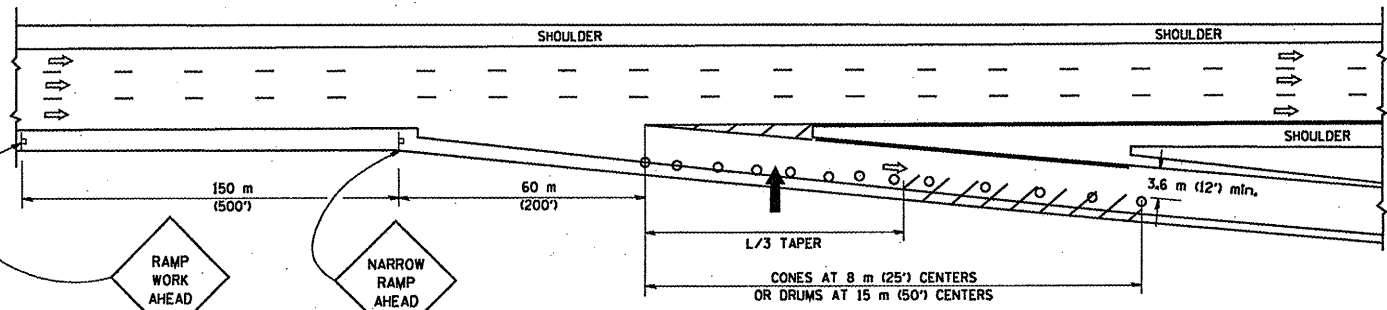
PARTIAL RAMP CLOSURE DETAILS

SHOULDER CLOSURE DETAILS

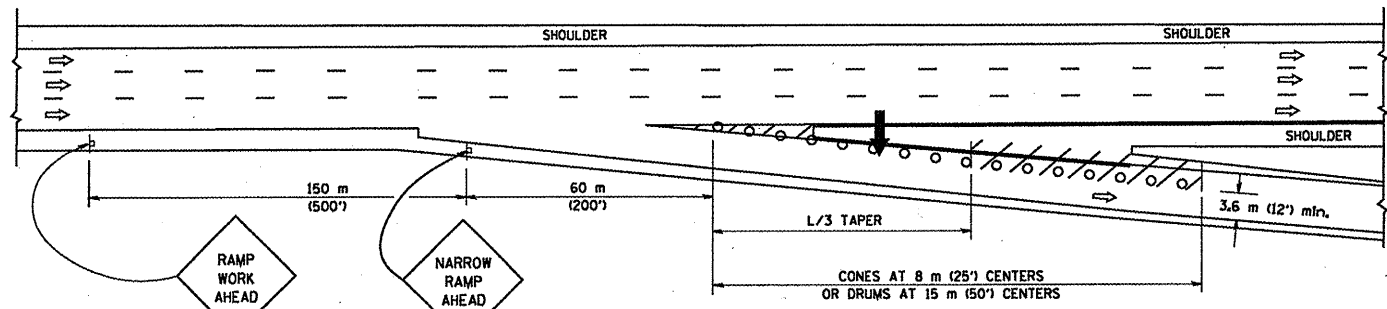
| | | | | |
|---|--------------|--------|--------------|-----------|
| F.A. RTE. | SECTION | COUNTY | TOTAL SHEETS | SHEET NO. |
| | 2010-029 MAR | | 4 | 4 |
| STA. DTR TO STA. | | | | |
| FED. ROAD DIST. NO. ILLINOIS FED. AID PROJECT | | | | |



TYPICAL ENTRANCE RAMP



TYPICAL EXIT RAMP



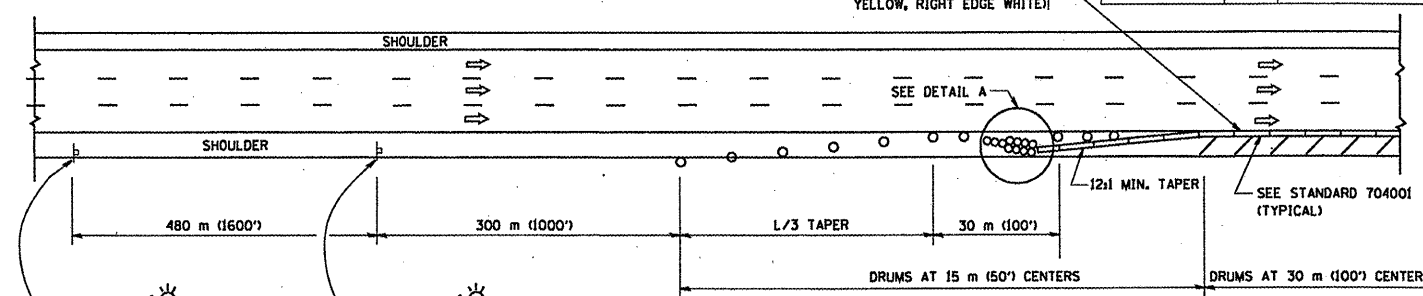
TYPICAL EXIT RAMP

SYMBOLS

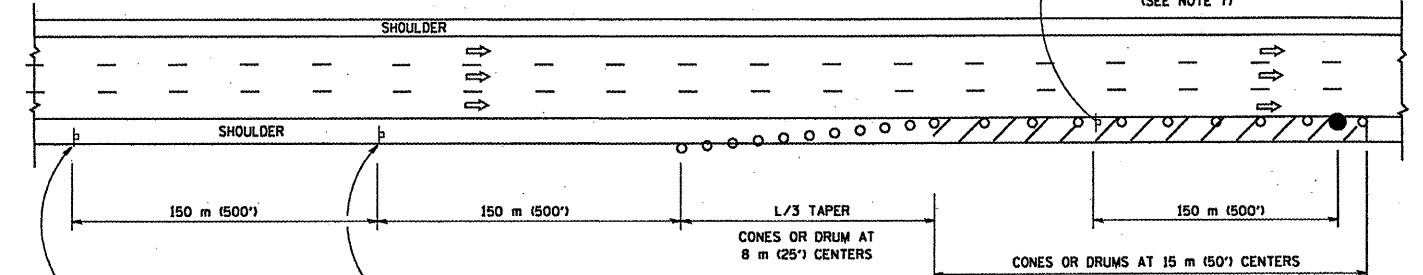
- ARROWBOARD
- WORK AREA
- SIGN ON PORTABLE OR PERMANENT SUPPORT
- FLAGGER WITH CONTROL SIGN
- DRUM WITH MONO-DIRECTIONAL STEADY BURNING LIGHT
- CONES - 700 (28) IN HEIGHT

GENERAL NOTES

- THE "L" DISTANCE EQUALS: SPEED LIMIT FORMULAS
 80 km/h (45 mph) METRIC ENGLISH
 OR GREATER: $L=0.65(W/S)$ $L=(W/S)$
 W = WIDTH OF OFFSET IN METERS (FEET)
 S = NORMAL POSTED SPEED KM/H (MPH)
- PLASTIC DRUMS WITH HIGH PERFORMANCE REFLECTIVE SHEETING AND STEADY BURNING LIGHTS ARE REQUIRED FOR ALL NIGHTTIME CLOSURES.
- ALL SIGNS SHALL BE POST MOUNTED IF THE CLOSURE TIME EXCEEDS FOUR DAYS.
- FLASHING LIGHTS SHALL BE USED DURING THE HOURS OF DARKNESS AND SHALL BE INSTALLED ABOVE THE FIRST TWO SETS OF SIGNS.

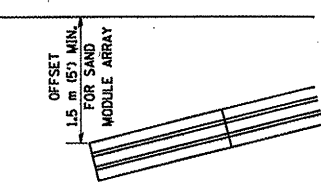


PERMANENT SHOULDER CLOSURE



DAYTIME SHOULDER CLOSURE

ARRAY DESIGN PER MANUFACTURER TO BE NCHRP 350 COMPLIANT FOR POSTED SPEED.



DETAIL "A"
IMPACT ATTENUATOR, TEMPORARY (SEE NOTE 5)

- THE IMPACT ATTENUATOR, TEMPORARY IS NOT REQUIRED WHEN THE TEMPORARY CONCRETE BARRIER WALL IS PROTECTED BY OR IS TIED INTO THE EXISTING GUARDRAIL. IF OFFSET IS LESS THAN 5 FEET USE "TRAFFIC BARRIER TERMINAL, TYPE III, TEMPORARY" DEVICE TO MEET NCHRP350 FOR POSTED SPEED.
- AUTHORIZATION FROM THE DISTRICT'S BUREAU OF TRAFFIC IS REQUIRED FOR ALL FREEWAY CLOSURES.
- THE FLAGGER AND FLAGGER SIGN ARE REQUIRED AT THE ABOVE WORK SITES WHEN:
 - FOUR OR MORE WORK VEHICLES ENTER THE TRAFFIC LANES IN A ONE HOUR PERIOD.
 - THE WORK ACTIVITY REQUIRES FREQUENT ENCROACHMENT INTO THE LANE OPEN TO TRAFFIC.
 THE FLAGGER SHALL BE STATIONED APPROXIMATELY 30 m (100') TO 60 m (200') IN ADVANCE OF THE WORKERS.

ALL DIMENSIONS ARE IN MILLIMETERS (INCHES) UNLESS OTHERWISE SHOWN.

| REVISIONS | |
|-----------|-------|
| NAME | DATE |
| DWS | 11/96 |
| JAF | 12/02 |
| NCHRP 350 | 04/03 |
| JAF | 2/06 |
| | |
| | |
| | |
| | |

ILLINOIS DEPARTMENT OF TRANSPORTATION
**TRAFFIC CONTROL DETAILS
 FOR FREEWAY
 SHOULDER CLOSURES
 PARTIAL RAMP CLOSURES**
 DESIGNED BY: DWS
 DRAWN BY:
 CHECKED BY:
 TC-17

SCALE: NONE
 DATE: 3/1/2006

PLOT DATE: 3/1/2006
 FILE NAME: K:\dws\10217.dgn
 PLOT SCALE: 1/8"=1'-0"
 USER NAME: jaf