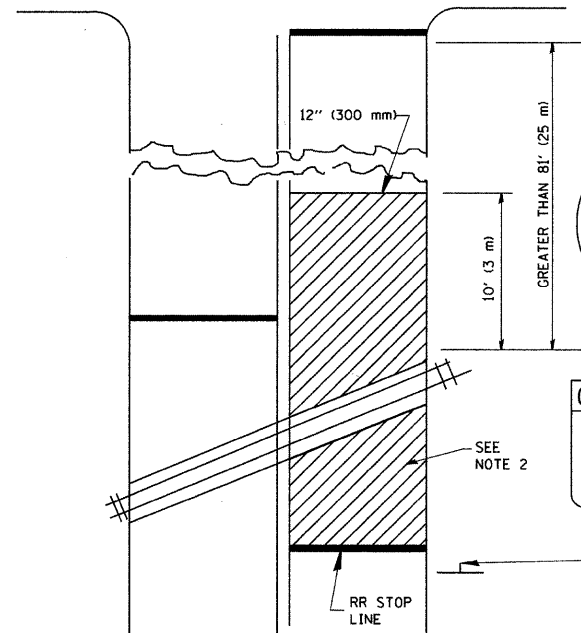
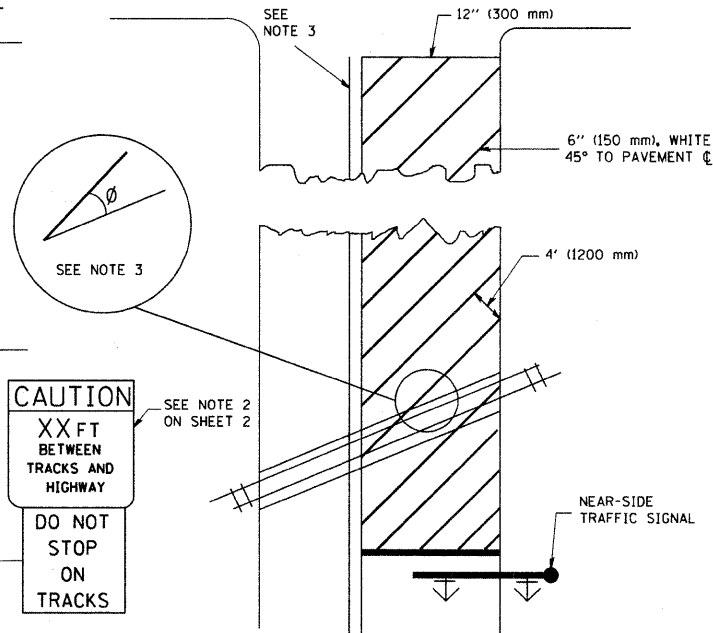


WITH INTERSECTION TRAFFIC SIGNALS

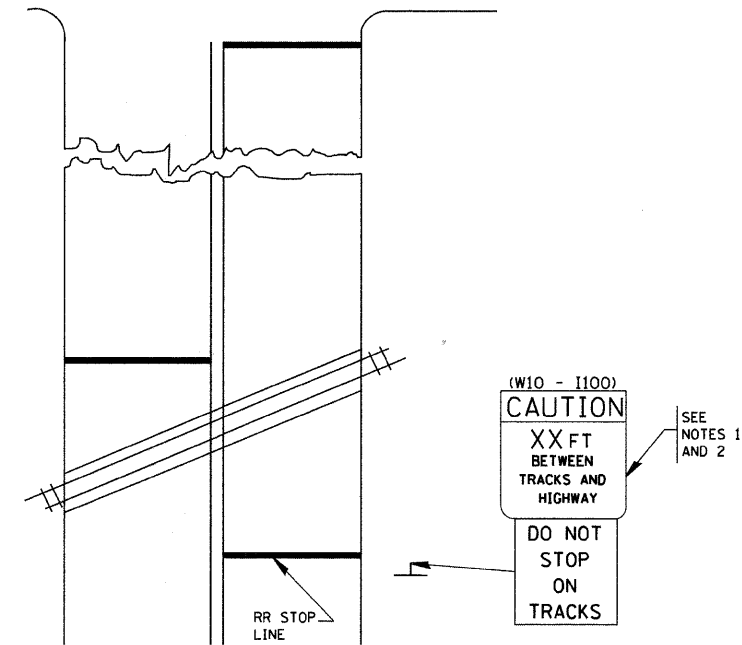


WITH NEAR-SIDE TRAFFIC SIGNALS



WITH NONSIGNALIZED INTERSECTION

81' (25 m) OR LESS TO CLOSEST RAIL



CAUTION
XX FT
BETWEEN
TRACKS AND
HIGHWAY
DO NOT
STOP
ON
TRACKS

(W10 - 1100)
CAUTION
XX FT
BETWEEN
TRACKS AND
HIGHWAY
DO NOT
STOP
ON
TRACKS

- NOTES:
- PAVEMENT MARKINGS TO BE INSTALLED ONLY ON APPROACHES TO INTERSECTIONS CONTROLLED BY TRAFFIC SIGNALS WHICH ARE INTERCONNECTED WITH THE RAILROAD WARNING SIGNALS.
 - WHERE NEAR-SIDE TRAFFIC SIGNALS ARE USED, THE PAVEMENT MARKINGS EXTENDS TO THE INTERSECTION.
 - WHERE THE ANGLE BETWEEN THE DIAGONAL STRIPES AND THE TRACK (θ) WOULD BE LESS THAN APPROXIMATELY 20°, THE STRIPES SHOULD BE SLOPED IN THE OPPOSITE DIRECTION FROM THAT SHOWN.

- NOTE :
- DISTANCE TO BE SHOWN ON SIGN MEASURED FROM A POINT 6 FEET (1.8 m) FROM THE RAIL CLOSEST TO THE INTERSECTION TO THE STOP LINE OR CROSSWALK, WHICHEVER IS CLOSEST, ROUNDED DOWN TO THE NEAREST 5 FEET (1.5 m). WHERE THERE IS NO STOP LINE, MEASURE TO POINT WHERE THE DRIVER HAS A VIEW OF APPROACHING TRAFFIC.
 - THE CLEARANCE SIGN IS ALSO TO BE USED AS AN INTERIM MEASURE AT LOCATIONS WITH INTERCONNECTED INTERSECTION TRAFFIC SIGNALS WHERE IT IS PLANNED TO CHANGE THEM TO NEAR-SIDE SIGNALS AT A FUTURE TIME. IN THIS CASE, THE DISTANCE TO BE SHOWN ON THE SIGN IS MEASURED FROM THE EDGE OF THE STRIPED-OUT AREA INSTEAD OF 6-FEET FROM THE RAIL. THE SIGN IS TO BE REMOVED WHEN THE NEAR-SIDE SIGNALS ARE INSTALLED AND THE PAVEMENT MARKINGS EXTEND TO THE INTERSECTION.

ALL DIMENSIONS ARE IN INCHES (MILLIMETERS) UNLESS OTHERWISE SHOWN.

FILE NAME = W:\diststd\22x34\to23.dgn	USER NAME = geglienobt	DESIGNED -	REVISED - 01-01-07	STATE OF ILLINOIS DEPARTMENT OF TRANSPORTATION	TYPICAL SUPPLEMENTAL SIGNING AND PAVEMENT MARKING TREATMENT FOR RAILROAD CROSSINGS	F.A. RTE. =	SECTION	COUNTY	TOTAL SHEETS	SHEET NO.
	PLOT SCALE = 50,000' / IN.	DRAWN -	REVISED -			3759	04-00038-00-WR	WILL	165	96
	PLOT DATE = 1/4/2008	CHECKED -	REVISED -			TC-23		CONTRACT NO. 63248		
		DATE -	REVISED -			SCALE: NONE		SHEET NO. 1 OF 1 SHEETS		STA. TO STA.
						FED. ROAD DIST. NO. 1 ILLINOIS FED. AID PROJECT				