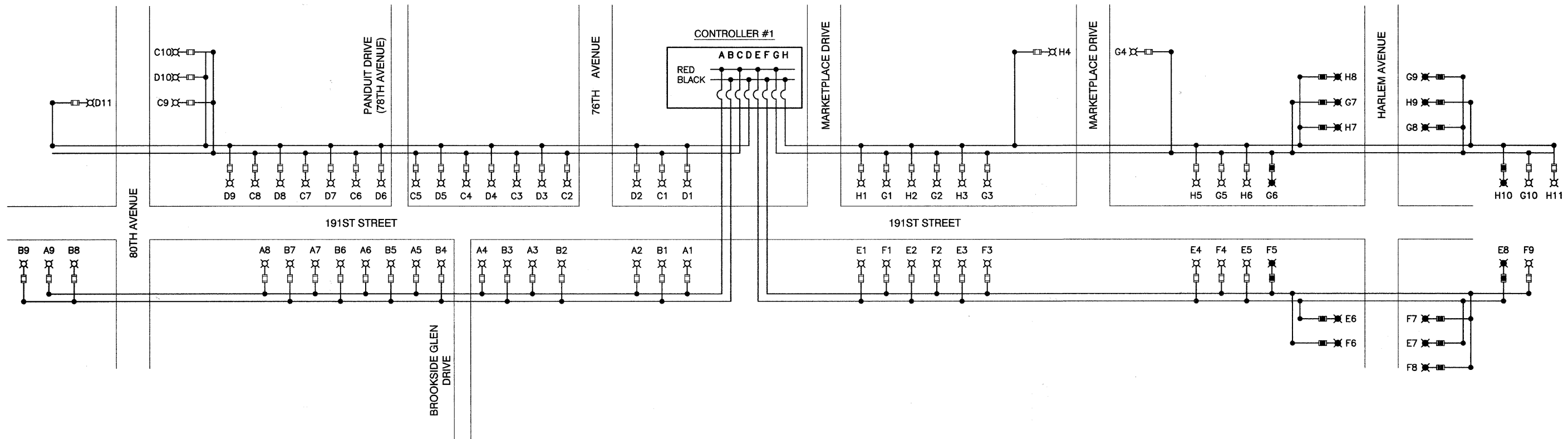




LOAD TABULATIONS CONTROLLER #1			
CIRCUIT	WATTS	AMPS @ 240V	
		RED PHASE	BLACK PHASE
A	2,745	11.70	
B	2,745		11.70
C	3,050	13.00	
D	3,355		14.30
E	2,959	12.50	
F	3,437		14.50
G	3,742	15.80	
H	4,047		17.10
SUBTOTAL	26,080	53.00	57.60
TOTAL AMPS @ 240 V		110.60	

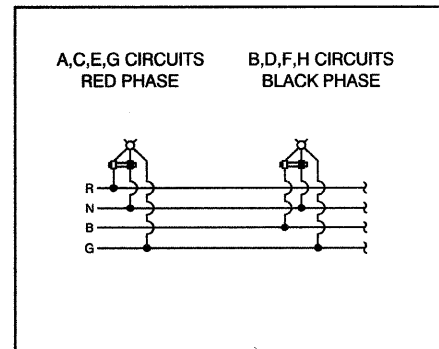
240/480V, 1 ϕ , 3 WIRE, 60HZ
28.98 KVA LOAD



PLAN	DATE
DESIGNED	BY
CHECKED	
PLOTTED	
NOTE BOOK NO.	
FILE NAME	

PROFILE	DATE
DESIGNED	BY
CHECKED	
PLOTTED	
NOTE BOOK NO.	
FILE NAME	

TYPICAL POLE WIRING



LEGEND

- ⊗ LUMINAIRE, 250W HPS, 240V
- ⊗ LUMINAIRE, 400W HPS, 240V
- FUSE, 3.5 AMP
- FUSE, 6.0 AMP
- A1 LUMINAIRE CIRCUIT
- { CIRCUIT BREAKER
- CONNECTION

FILE NAME = 09302-DTLS-01 - P01

USER NAME =	DESIGNED -- DWS	REVISIONS
	CHECKED -- EJT	REVISIONS
PLOT SCALE = N/A	DRAWN -- MJD	REVISIONS
PLOT DATE = 10-20-09	CHECKED -- PAP	REVISIONS

STATE OF ILLINOIS
DEPARTMENT OF TRANSPORTATION

191ST STREET 80TH AVENUE (FAU 2755) TO HARLEM AVENUE (FAP 0348) SINGLE LINE WIRING DIAGRAM		F.A.U. RTE. 3754	SECTION 09-00107-00-LT	COUNTY WILL	TOTAL SHEETS 12	SHEET NO. 7
SCALE: N/A	SHEET NO. 7 OF 12 SHEETS	STA. N/A	TO STA. N/A	CONTRACT NO. 63288		
FED. ROAD DIST. NO. 1 ILLINOIS FED. AID PROJECT M-9003 (331)						

