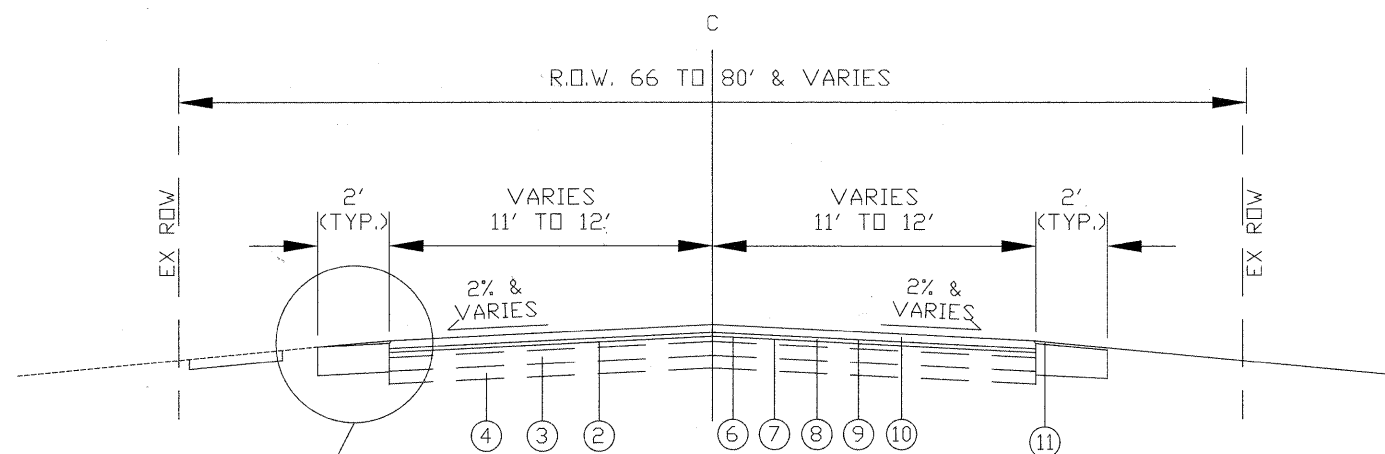


EXISTING TYPICAL SECTION
STA. 39+60 TO STA. 58+50, ARBOR AVENUE

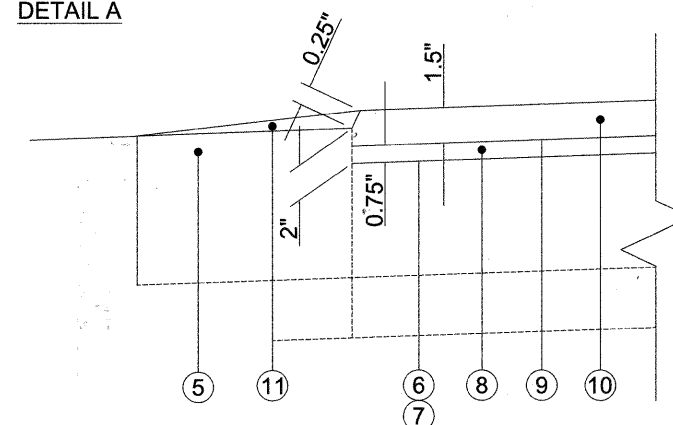


SEE DETAIL A
PROPOSED TYPICAL SECTION
STA. 39+60 TO STA. 58+50, ARBOR AVENUE

LEGEND:

- ① PR HOT-MIX ASPHALT SURFACE REMOVAL, 2"
- ② EX HOT-MIX ASPHALT SURFACE COURSE AND (LEVELING) BINDER COURSE, 3" AND VARIES (2" TO BE MILLED)
- ③ EX HOT-MIX ASPHALT BASE COURSE, 6" & VARIES
- ④ EX SUBBASE GRANULAR MATERIAL, TYPE B, 8" & VARIES
- ⑤ EX AGGREGATE SHOULDERS
- ⑥ PR AGGREGATE (PRIME COAT)
- ⑦ PR BITUMINOUS MATERIALS (PRIME COAT)
- ⑧ PR LEVELING BINDER (MACHINE METHOD), N50, 0.75"
- ⑨ PR AREA REFLECTIVE CRACK CONTROL TREATMENT, SYSTEM A
- ⑩ PR HOT-MIX ASPHALT SURFACE COURSE, MIX "D", N50, 1.5"
- ⑪ PR AGGREGATE WEDGE SHOULDERS, TYPE B (SEE DETAIL A THIS SHEET)

DETAIL A



FILE NAME = 04-05_Typical Sections_Arbor LAPP
PLOT DATE = 3/11/10

thomas engineering group
thomas engineering group, llc
238 south kentworth avenue
suite 100
oak park, il 60302
phone: 708-533-1700

DESIGNED - DMM	REVISED -
DRAWN - DMM	REVISED -
CHECKED - KCV	REVISED -
DATE - 03/12/10	REVISED -

STATE OF ILLINOIS
DEPARTMENT OF TRANSPORTATION

ARBOR AVENUE - WASHINGTON STREET TO HAWTHORNE LANE
TYPICAL SECTIONS
SCALE: NTS

F.A.U. RTE. 2534	SECTION 09-00077-00-RS	COUNTY DUPAGE	TOTAL SHEETS 13	SHEET NO. 5
FED. ROAD DIST. NO. 1 ILLINOIS FED. AID PROJECT ARA-9003(406)				