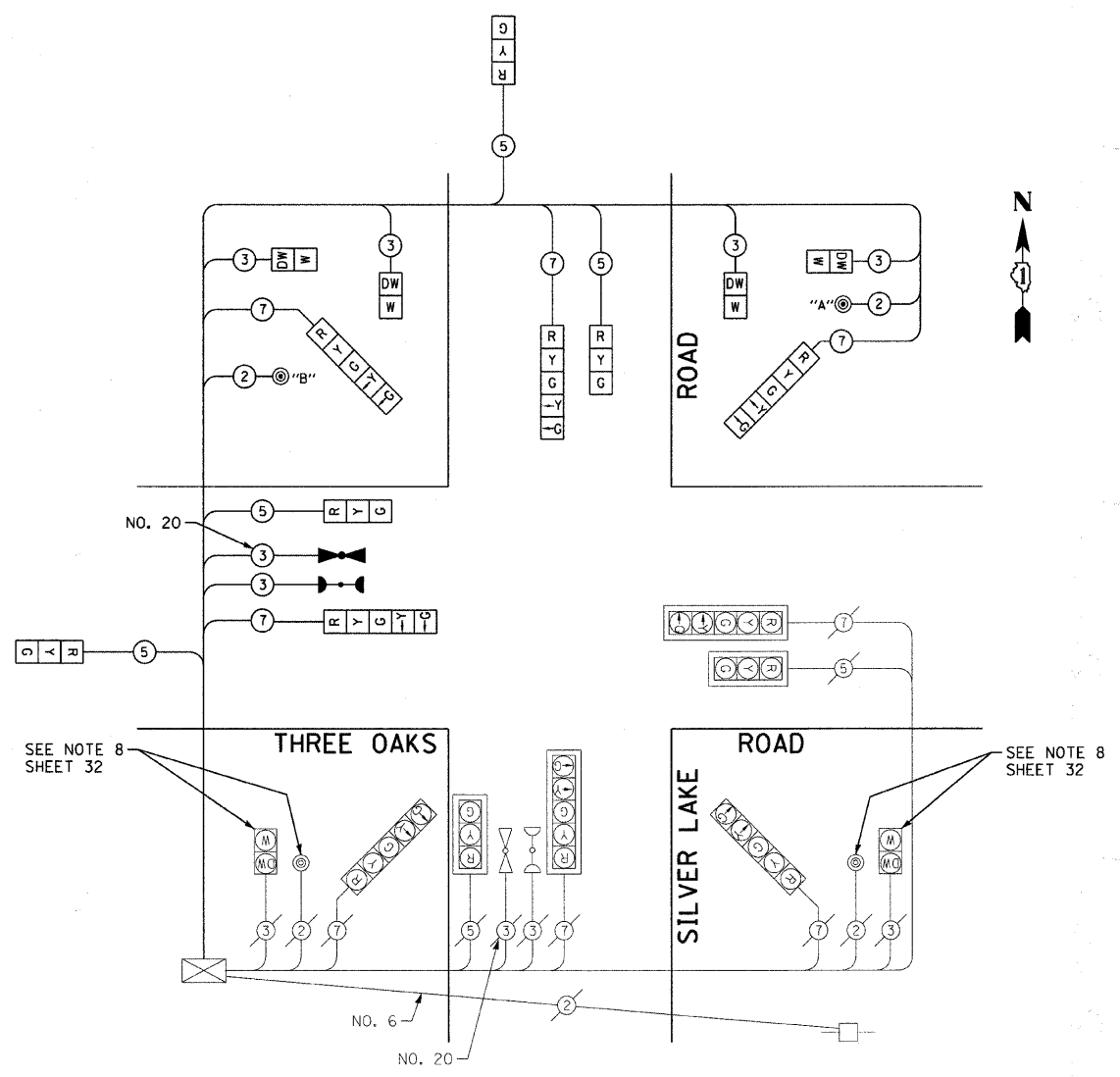


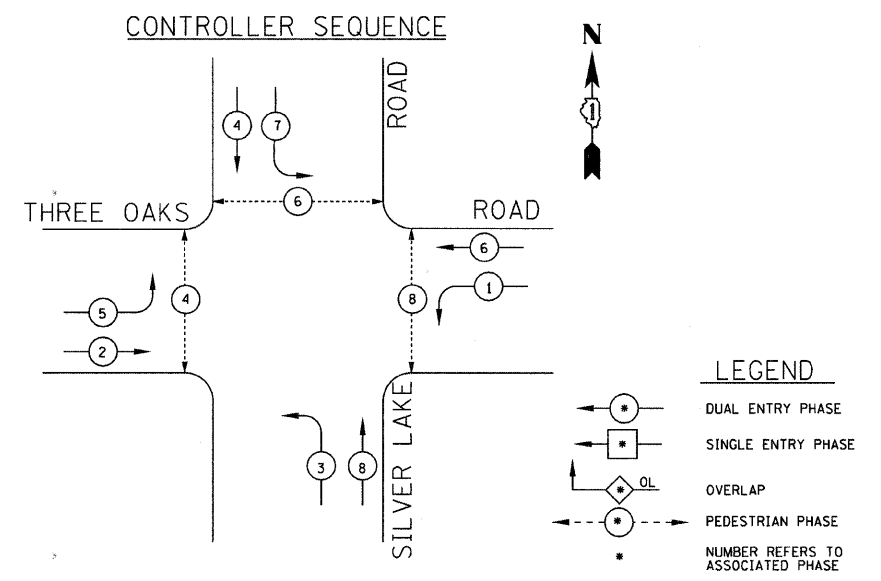
COPYRIGHT © 2010 BY BAXTER & WOODMAN, INC. ...
 VILLAGE OF CARY, ILLINOIS
 655 VILLAGE HALL DRIVE
 CARY, ILLINOIS 60013-2599
 3/23/2010 1:49:19 PM
 263hac

I.D.O.T TRAFFIC SIGNAL INSTALLATION ELECTRICAL SERVICE REQUIREMENTS					TOTAL WATTAGE
TYPE	NO. LAMPS	WATTAGE INCAND.	WATTAGE LED	%OPERATION	
SIGNAL (RED)	14	135		0.50	945
(YELLOW)	14	135		0.25	472.5
(GREEN)	14	135		0.25	472.5
ARROW	16	135		0.10	216
PED. SIGNAL	6	90		1.00	540
CONTROLLER	1	100		1.00	100.00
ILLUM. SIGN	--	--	--	0.05	--
FLASHER				0.50	--
ENERGY COSTS TO:				TOTAL =	2746
VILLAGE OF CARY 655 VILLAGE HALL DRIVE CARY, ILLINOIS 60013-2599 ENERGY SUPPLY CONTACT: MIKE LENOX PHONE: (815) 490-2869 COMPANY: COM. ED.					



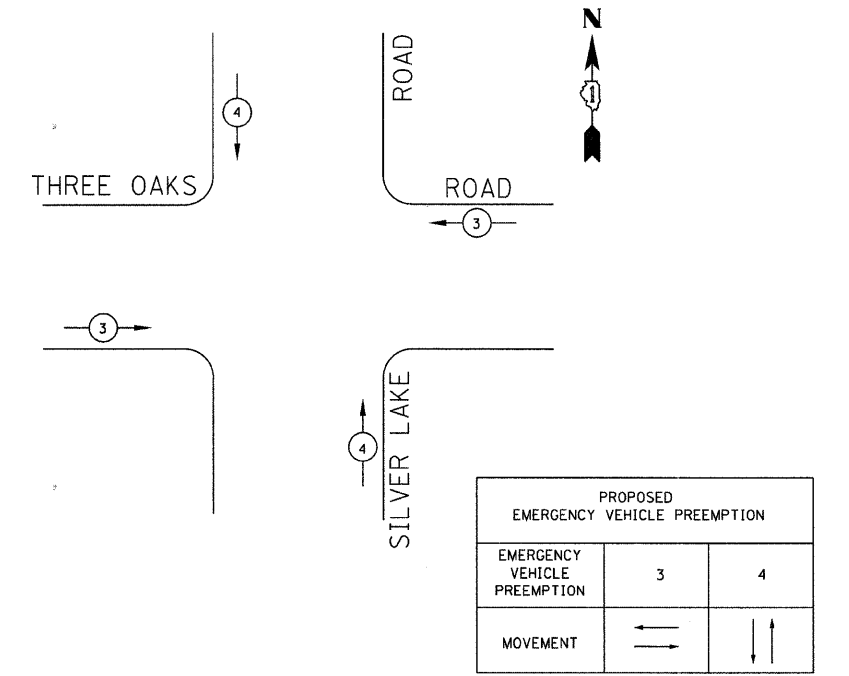
TEMPORARY CABLE DIAGRAM

PEDESTRIAN PUSH BUTTON NOTES:
 PUSH BUTTON "A" SHALL PLACE A CALL IN PHASES 6 AND 8.
 PUSH BUTTON "B" SHALL PLACE A CALL IN PHASES 4 AND 6.



TEMPORARY PHASE DESIGNATION DIAGRAM

TEMPORARY EMERGENCY VEHICLE PREEMPTION SEQUENCE



VILLAGE OF CARY, ILLINOIS
 THREE OAKS ROAD AND SILVER LAKE ROAD
 ARRA INTERSECTION IMPROVEMENTS

TEMPORARY CABLE PLAN
 AND TEMPORARY PHASE DESIGNATION DIAGRAM
 THREE OAKS ROAD AND SILVER LAKE ROAD
 SCALE: NONE STA. TO STA.

F.A.U. RTE.	SECTION	COUNTY	TOTAL SHEETS	SHEET NO.
•	09-00058-00-CH	MCHENRY	53	33
C-91-511-10			CONTRACT NO. 63381	
FED. ROAD DIST. NO. 1 ILLINOIS FED. AID PROJECT: ARA-9003635				