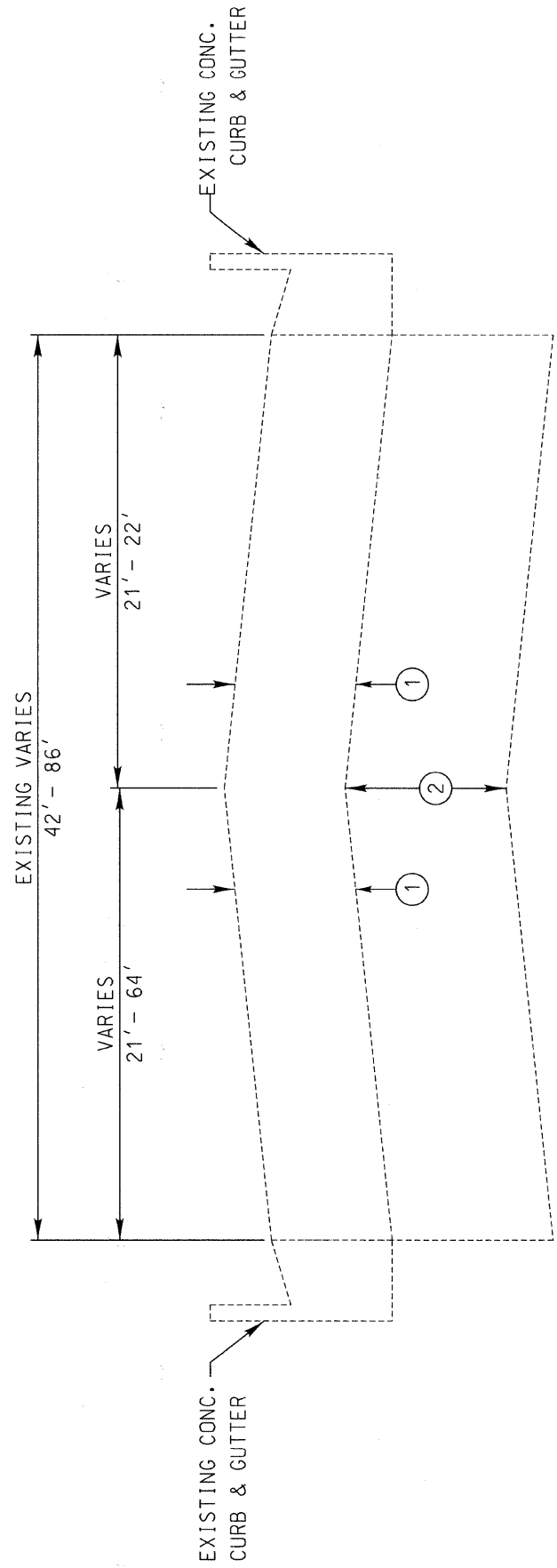


FAU RTE	SECTION	COUNTY	TOTAL SHEETS	SHEET NO.
191	08-00999-01-RS	LAKE	60	21
F.H.W.A. REG.		ILLINOIS PROJECT	ARA-9003(467)	
CONTRACT NO. 63407				

SCALE: 1" = 5' HORIZ.  
1" = 25' VERT.

EXISTING PAVEMENT:

1. HMA PAVEMENT
2. AGGREGATE BASE



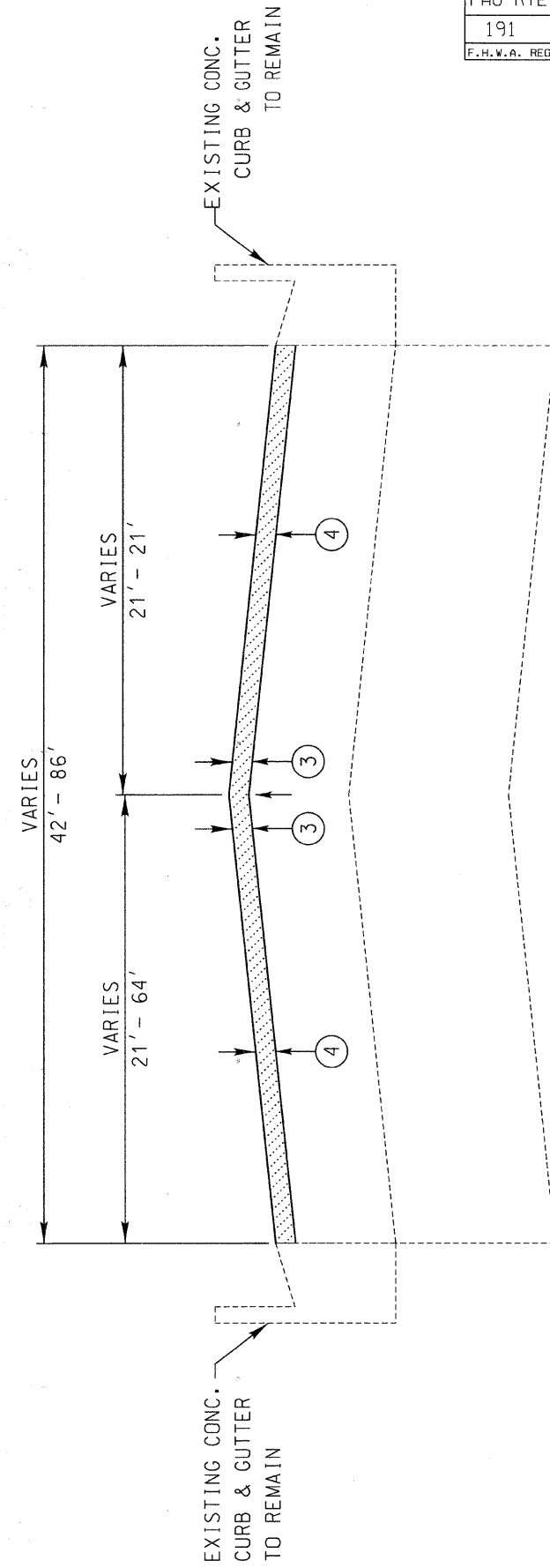
**EXISTING TYPICAL SECTION  
187+02.00 to 187+65**

SCALE: 1" = 5' HORIZ.  
1" = 25' VERT.

REMOVAL ITEMS:

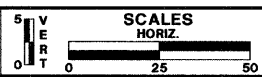
3. HMA SURFACE REMOVAL, 1 1/2"

PROPOSED RESURFACING:  
4. 1 1/2" HMA SURFACE COURSE, MIX "D", N70



**PROPOSED TYPICAL SECTION  
187+02.00 to 187+65**

NO.	REVISIONS / REMARKS	DATE	BY	SURVEYOR:
1	PER LCDOT REVIEW COMMENTS	10/06/09	EB	DSGMR/LIAISON:
		/ /		PLOTTED BY: hdsxs 12/2/2009



**FAIRFIELD ROAD  
RESURFACING 2009**



**TYPICAL SECTIONS**  
STA. TO

ROUTE	SECTION	SECTION NUMBER	SHEET	SHEETS
CH49	113	08-00999-01-RS	21	60