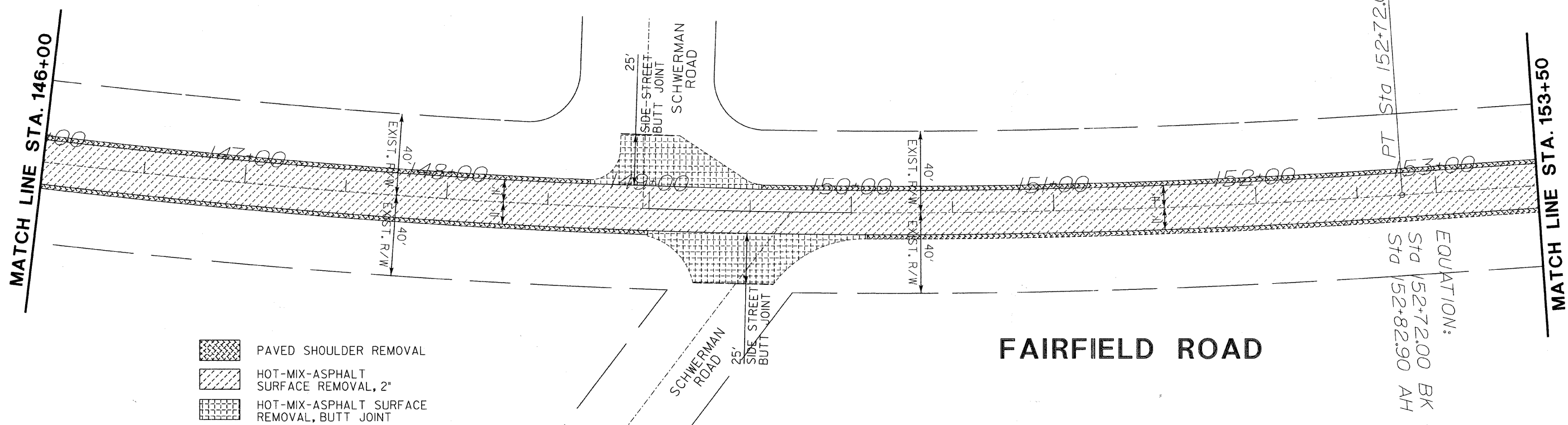
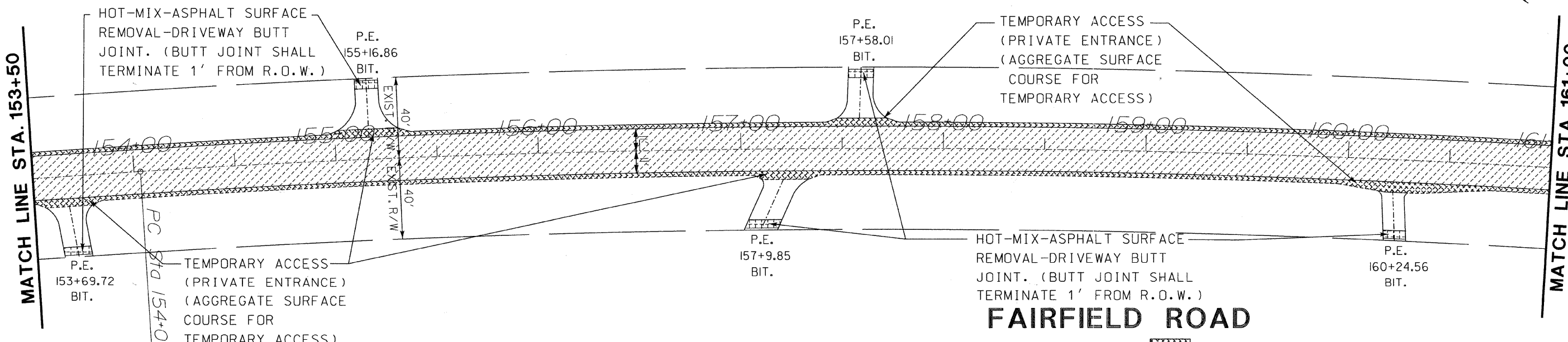


FAU RTE	SECTION	COUNTY	TOTAL SHEETS	SHEET NO.
191	08-00999-01-RS	LAKE	60	37
F.H.W.A. REG.		ILLINOIS PROJECT	ARA-9003(467)	
CONTRACT NO. 63407				



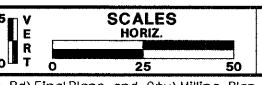
- PAVED SHOULDER REMOVAL
- HOT-MIX-ASPHALT SURFACE REMOVAL, 2"
- HOT-MIX-ASPHALT SURFACE REMOVAL, BUTT JOINT

EQUATION:
 Sta 152+72.00 BK =
 Sta 152+82.90 AH



- PAVED SHOULDER REMOVAL
- HOT-MIX-ASPHALT SURFACE REMOVAL, 2"
- HOT-MIX-ASPHALT SURFACE REMOVAL, BUTT JOINT

NO.	REVISIONS / REMARKS	DATE	BY	SURVEYOR
1	PER LCDOT REVIEW COMMENTS	10/06/09	EB	DSGMR/LIAISON
2	PER IDOT REVIEW COMMENTS	11/24/09	NK	PLOTTED BY: hdsxs 12/3/2009



FAIRFIELD ROAD RESURFACING 2009



PLAN SHEET
 STA. 146+00 TO 161+00

ROUTE	SECTION	SECTION NUMBER	SHEET	SHEETS
CH49	113	08-00999-01-RS	37	60

FILE NAME: Y:\dgn\2009 Resurfacing\Consultant Job\Fairfield Rd - IL Rte 176 to Old McHenry Rd\Final Plans and Qty\Milling Plan Sheets\113-12.mpl.dgn