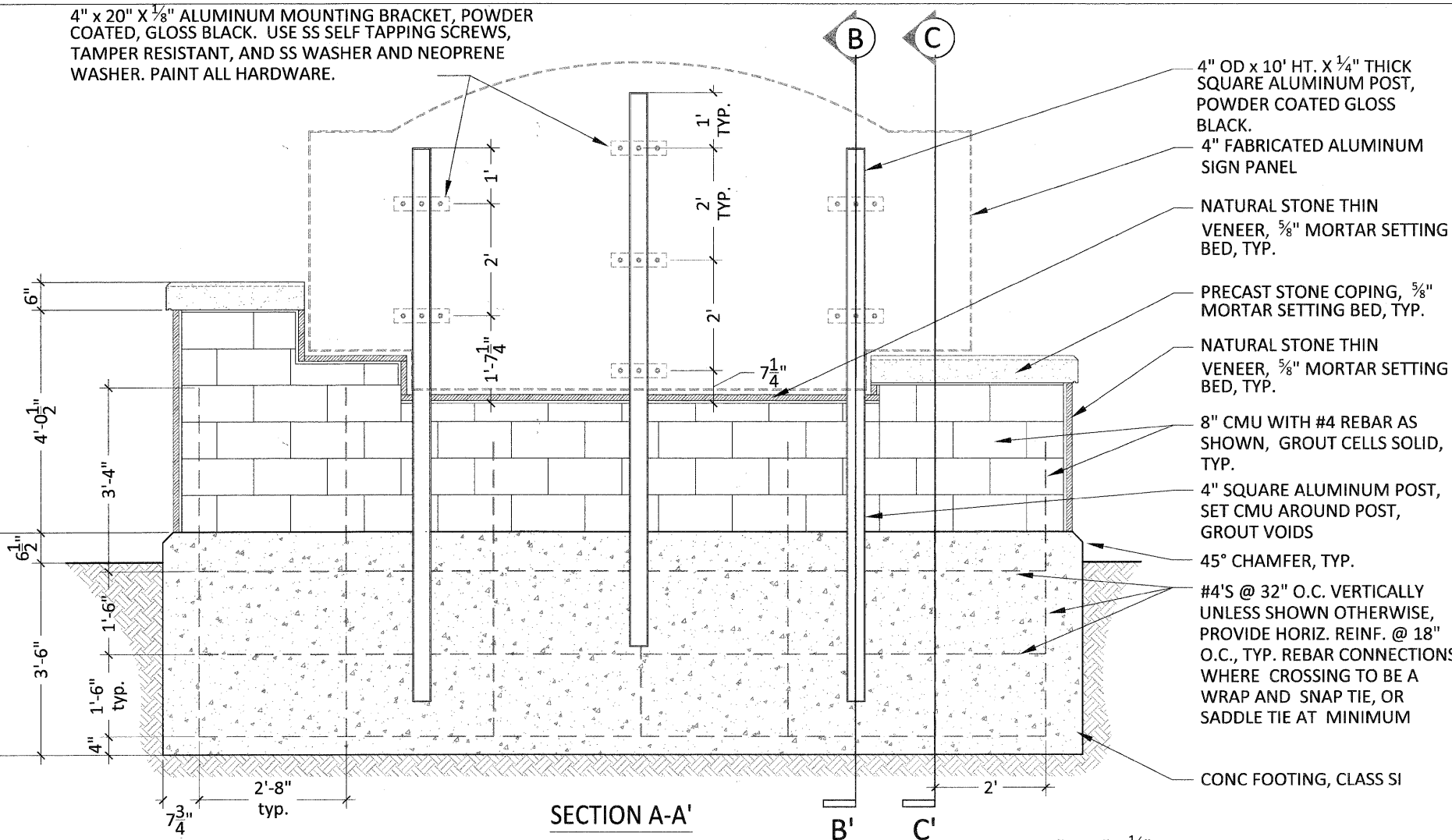
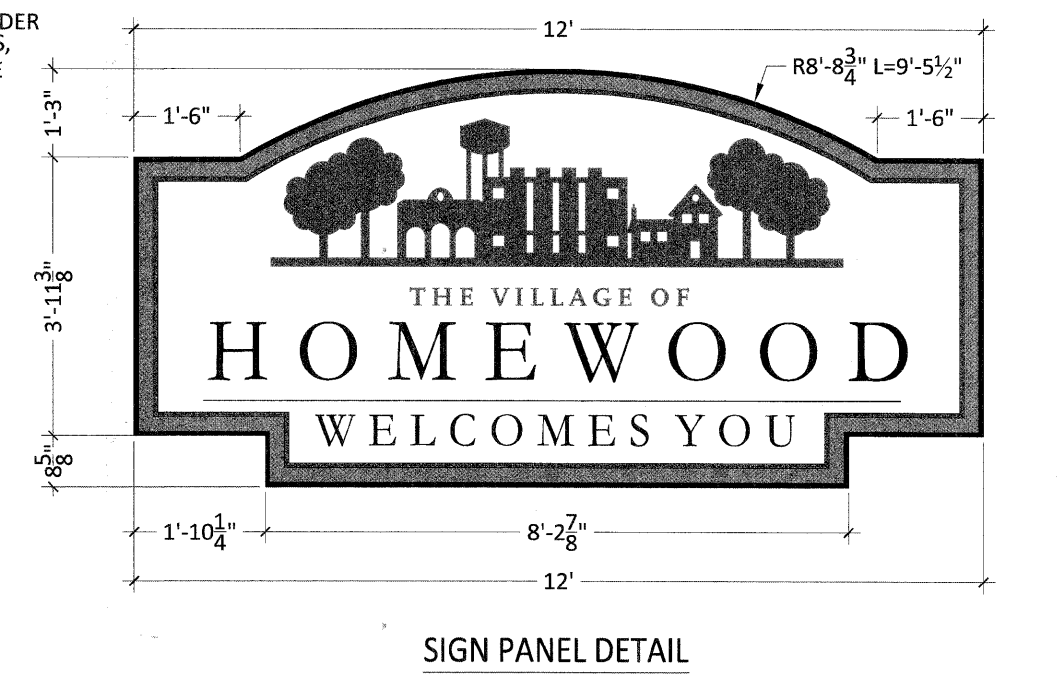
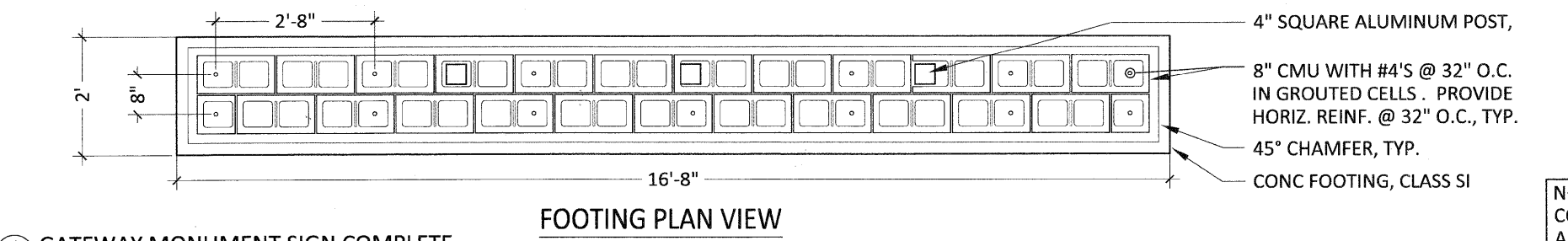
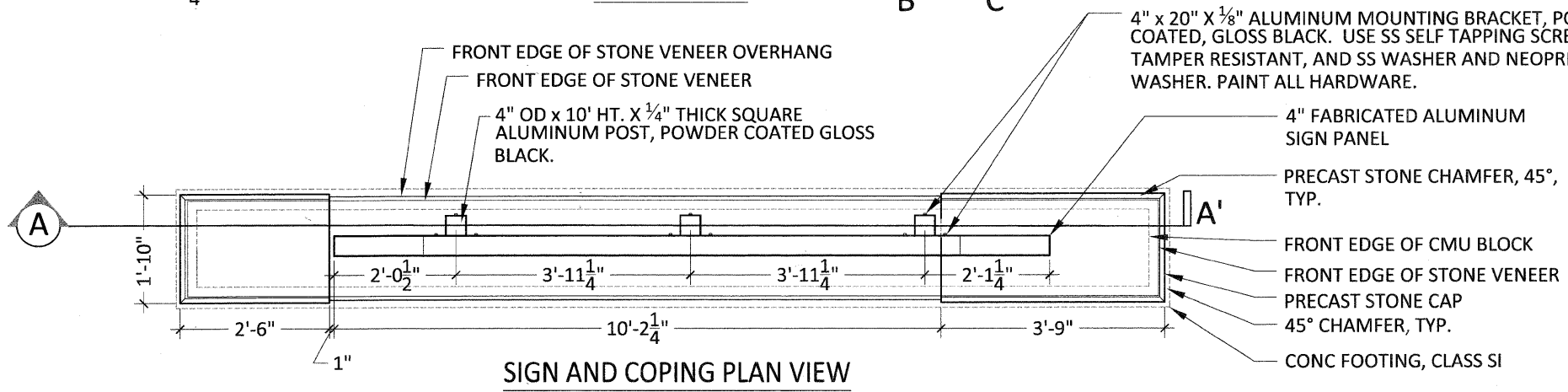
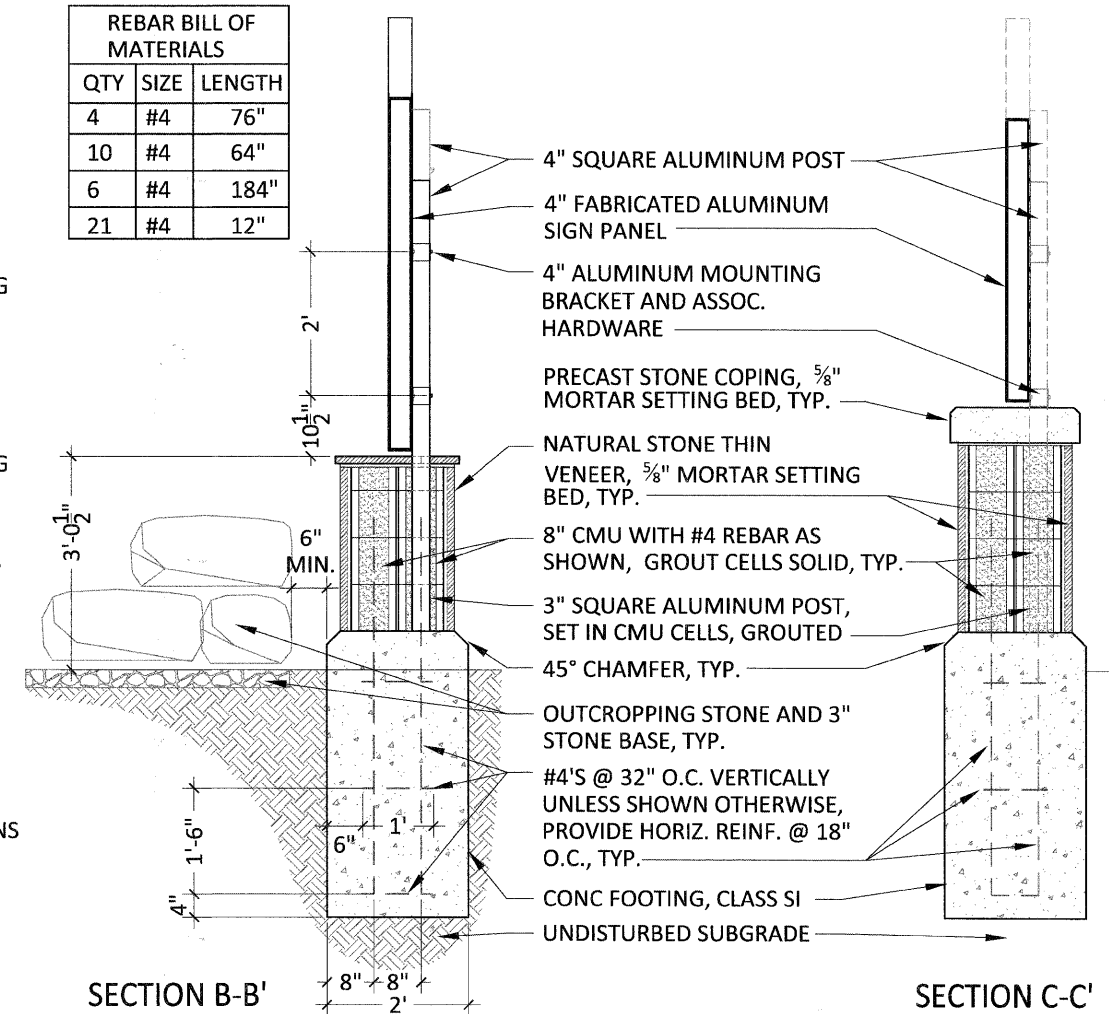


4" x 20" x 1/8" ALUMINUM MOUNTING BRACKET, POWDER COATED, GLOSS BLACK. USE SS SELF TAPPING SCREWS, TAMPER RESISTANT, AND SS WASHER AND NEOPRENE WASHER. PAINT ALL HARDWARE.



REBAR BILL OF MATERIALS		
QTY	SIZE	LENGTH
4	#4	76"
10	#4	64"
6	#4	184"
21	#4	12"



NOTE: ALL ALUMINUM TO BE PRETREATED BY CLEANING THE SURFACE, PRIMED WITH A PHOSPHATE COATING, POWDER COATED, POWDER COATED, AND CURED. SEE SPECIAL PROVISIONS FOR ADDITIONAL INFORMATION. ANY ALUMINUM TO BE IN DIRECT CONTACT WITH CONCRETE TO BE COATED WITH TWO THIN COATS OF AN ASPHALTIC PAINT.