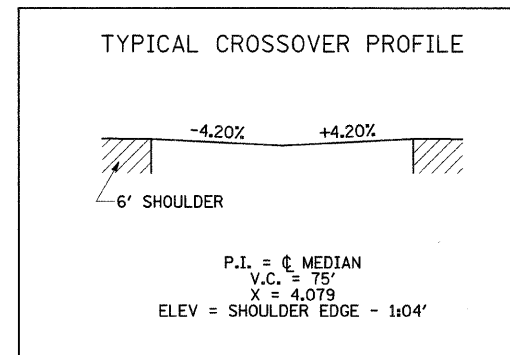
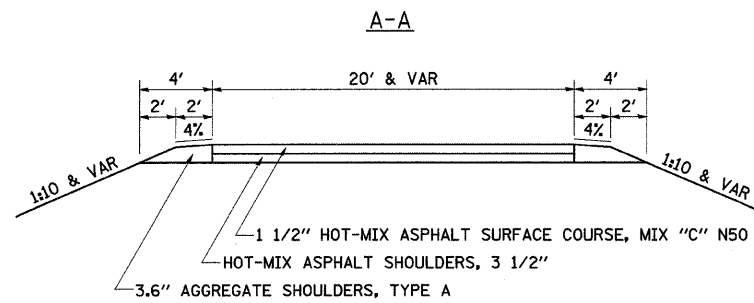
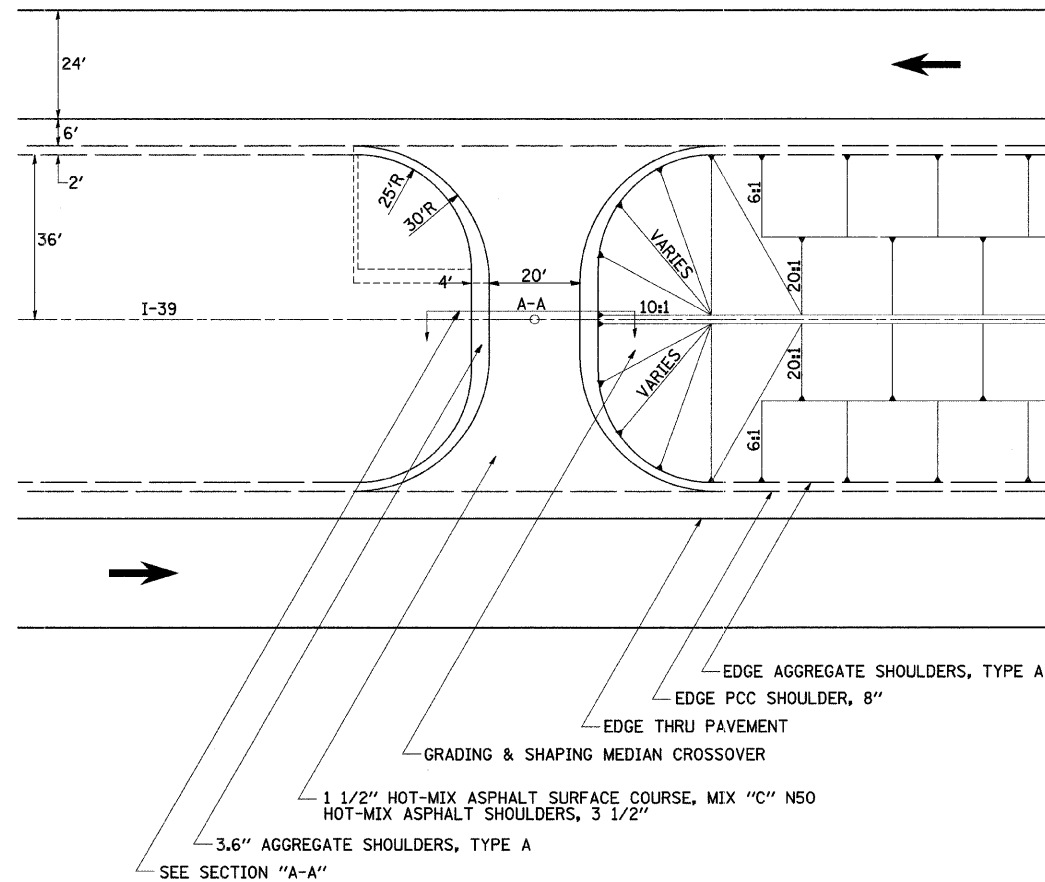


# PROPOSED TYPICAL SECTIONS

## EMERGENCY & MAINTENANCE MEDIAN CROSS OVER DETAILS

STA 320+83.7    STA 917+09.4  
 STA 456+74.9    STA 1047+76.6  
 STA 575+51.0    STA 1163+21.0  
 STA 689+48.8    STA 1248+91.8  
 STA 814+71.7



EXISTING PAVEMENT

POLYMERIZED HOT-MIX ASPHALT SURFACE COURSE, MIX "E", N105, 119 LB/SY/IN  
 SHOULDER & RAMPS HOT-MIX ASPHALT: 112 LB/SY/IN  
 POLYMERIZED HOT-MIX ASPHALT LEVELING BINDER & BINDER: 112 LB/SY/IN

FILE NAME =	USER NAME = stringerjm	DESIGNED -	REVISED -
ct:\pwork\PWIDOT\STRINGERJM\d0149531\205809-sh-typical.dgn		DRAWN -	REVISED -
PLOT SCALE = 50.0000' / IN.		CHECKED -	REVISED -
PLOT DATE = Tue May 25 07:32:40 2010		DATE -	REVISED -

STATE OF ILLINOIS  
 DEPARTMENT OF TRANSPORTATION

I-39  
 TYPICAL SECTIONS

SCALE: SHEET NO. OF SHEETS STA. TO STA.

F.A.I. RTE.	SECTION	COUNTY	TOTAL SHEETS	SHEET NO.
39	(103-1, 103-2)RS	LEE	313	23
CONTRACT NO. 64E97			ILLINOIS FED. AID PROJECT	

**REVISED**  
 5-27-10  
 SHEET