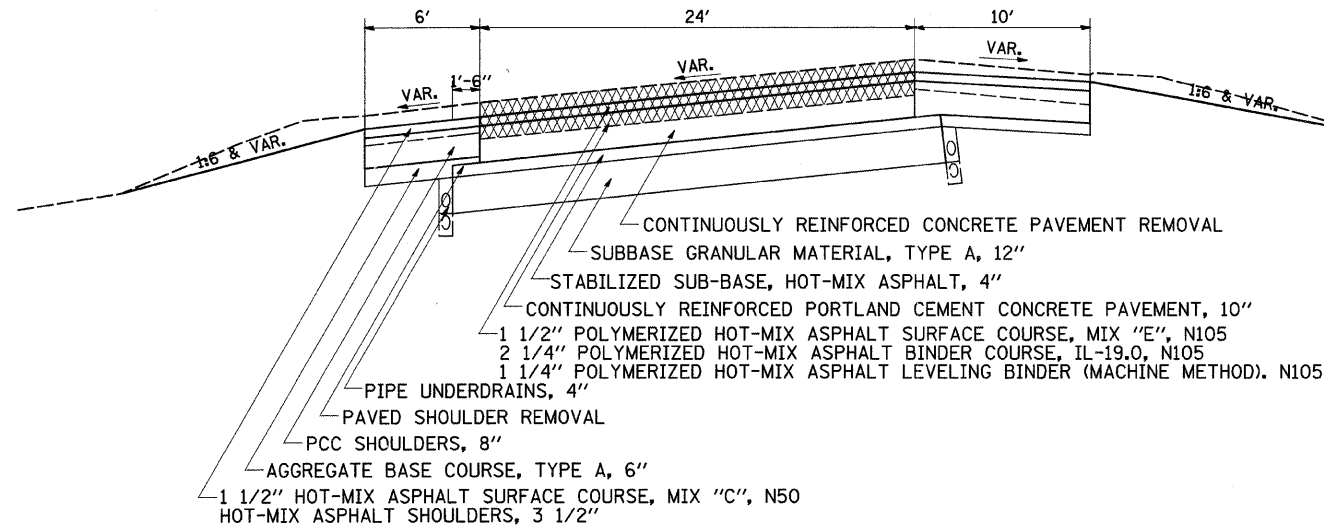
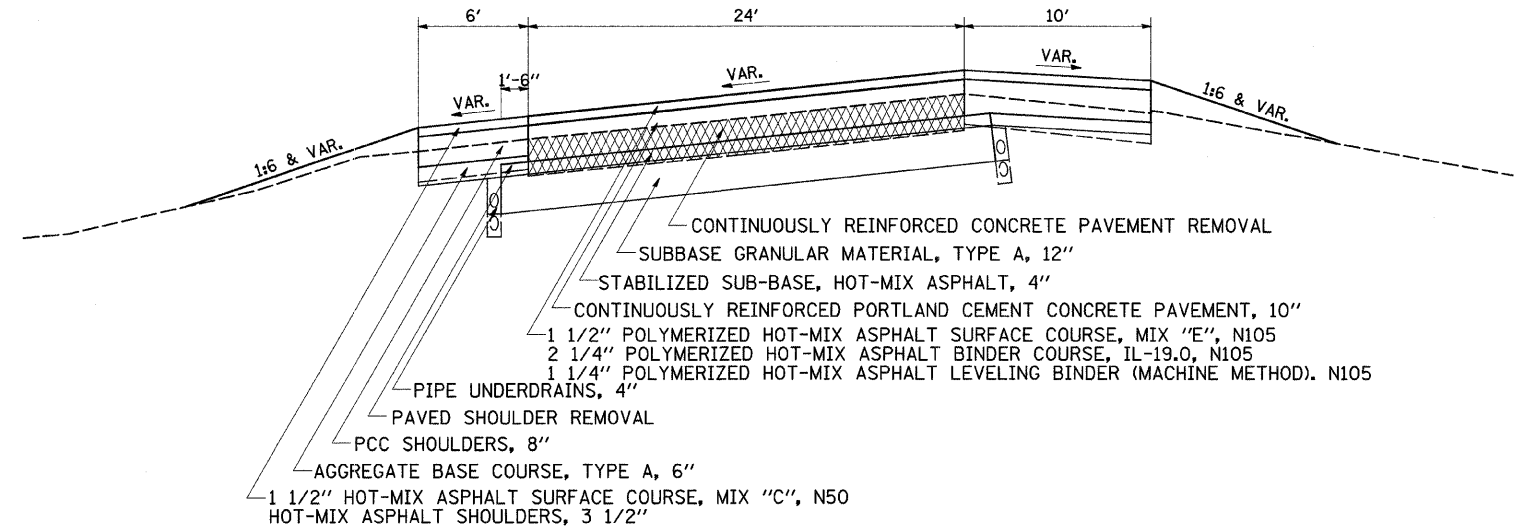
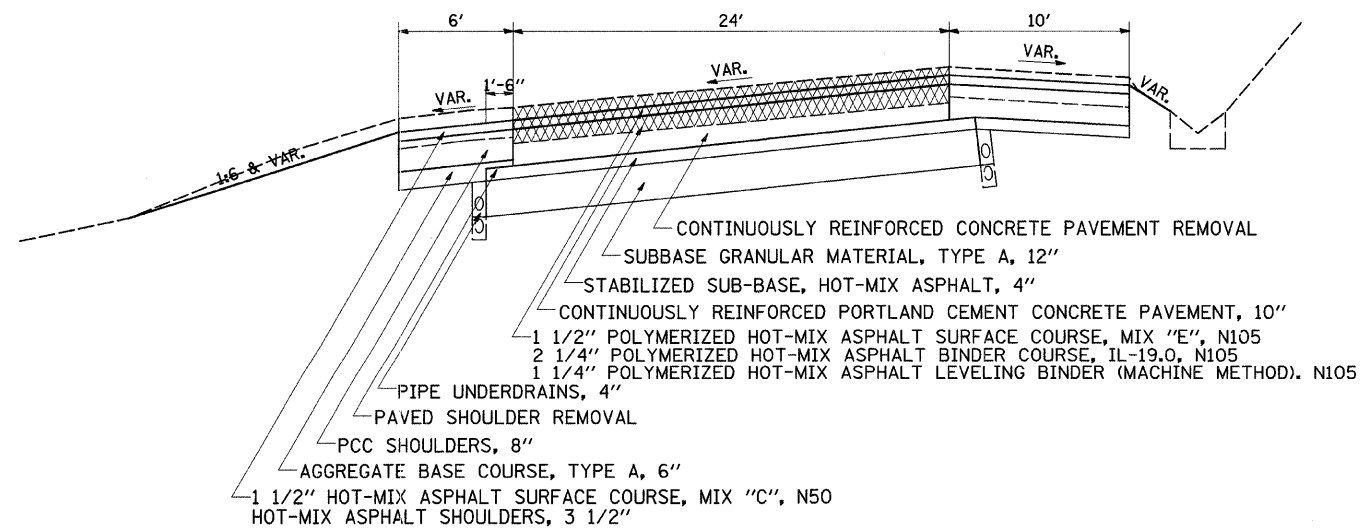


# PROPOSED TYPICAL SECTIONS

PROFILE ADJUSTMENT TYPICALS  
BEEMERVILLE RD



NOTE: EXISTING UNDERDRAINS ARE 42" DEEP  
MAY REMAIN IN PLACE



EXISTING PAVEMENT

POLYMERIZED HOT-MIX ASPHALT SURFACE COURSE, MIX "E", N105, 119 LB/SY/IN  
SHOULDER & RAMPS HOT-MIX ASPHALT: 112 LB/SY/IN  
POLYMERIZED HOT-MIX ASPHALT LEVELING BINDER & BINDER: 112 LB/SY/IN

FILE NAME =	USER NAME = stringerjm	DESIGNED -	REVISED -
ct:\pwork\p\1007\STRINGERJM\d0149531\205809-shr-typical.dgn		DRAWN -	REVISED -
	PLOT SCALE = 50.0000' / IN.	CHECKED -	REVISED -
	PLOT DATE = Tue May 25 07:32:40 2010	DATE -	REVISED -

STATE OF ILLINOIS  
DEPARTMENT OF TRANSPORTATION

I-39  
TYPICAL SECTIONS

SCALE: SHEET NO. OF SHEETS STA. TO STA.

F.A.I. RTE.	SECTION	COUNTY	TOTAL SHEETS	SHEET NO.
39	(103-1, 103-2)RS	LEE	313	24
CONTRACT NO. 64E97			ILLINOIS FED. AID PROJECT	

REVISED  
6-27-10  
SHEET