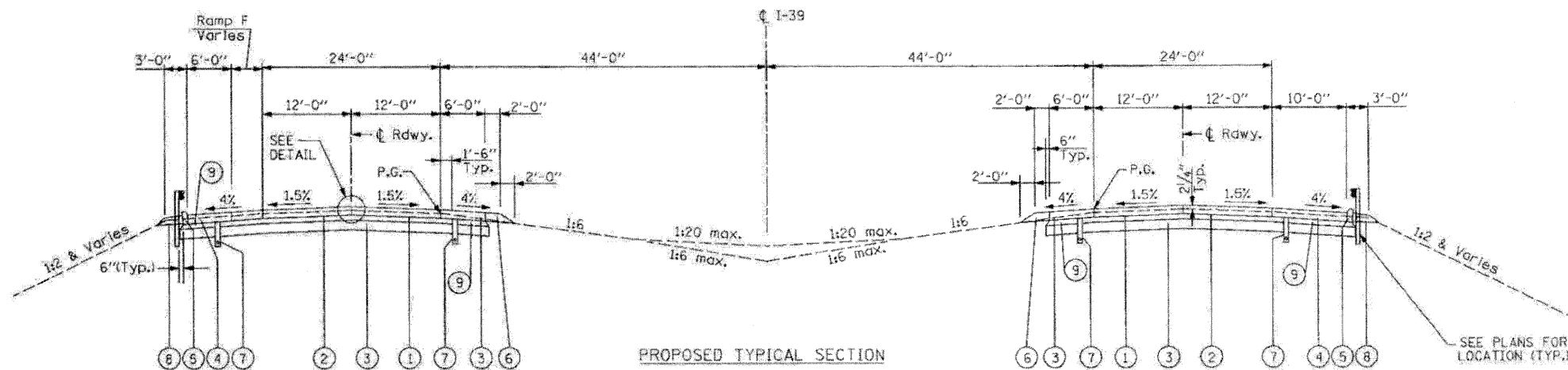
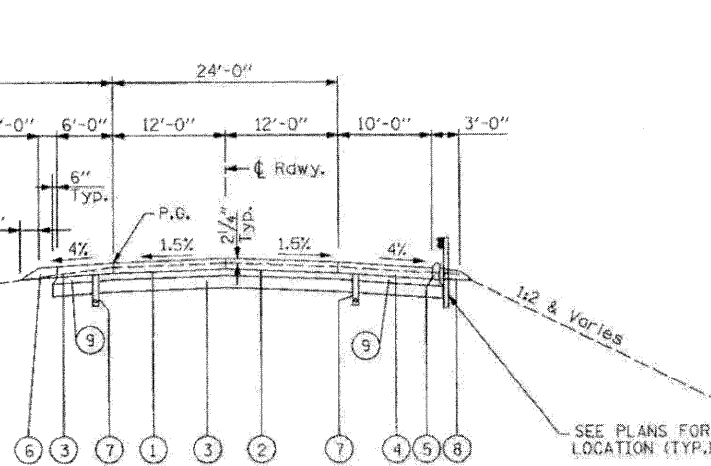


DATE	
BY	
REVISIONS	
NO.	
DATE	
BY	
REVISIONS	
NO.	
DATE	
BY	
REVISIONS	
NO.	

DATE	
BY	
REVISIONS	
NO.	
DATE	
BY	
REVISIONS	
NO.	
DATE	
BY	
REVISIONS	
NO.	

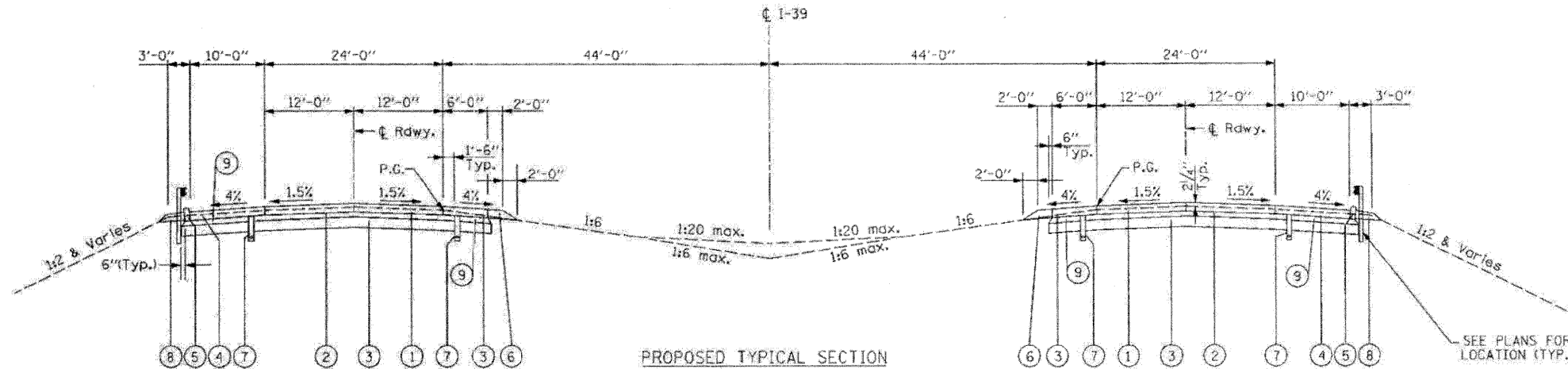
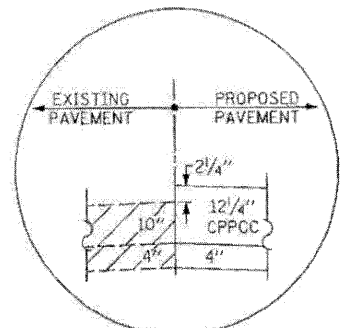


SOUTHBOUND LANES
 STA. 1186+94.06 TO STA. 1187+35.00
 (PAVING OMISSION - B.N.R.R.)
 STA. 1189+57.29 TO STA. 1192+91.06
 (PAVING OMISSION - PERRY ROAD)
 STA. 1195+13.06 TO STA. 1196+13±

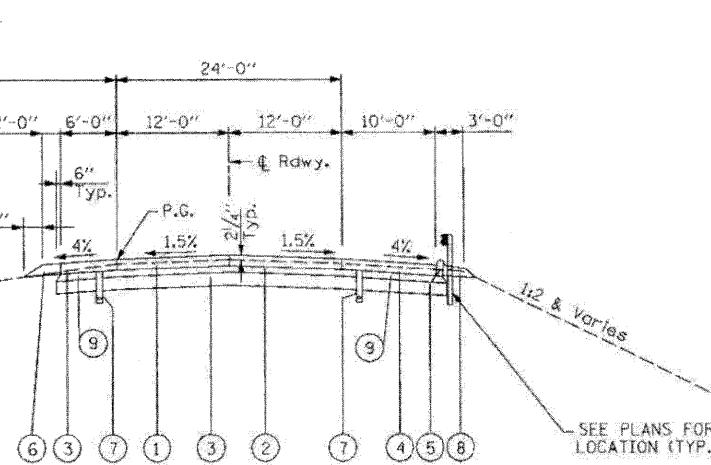


NORTHBOUND LANES
 (PAVING OMISSION - B.N.R.R.)
 STA. 1189+23.37 TO STA. 1192+91.06
 (PAVING OMISSION - PERRY ROAD)
 STA. 1195+13.06 TO STA. 1196+13±

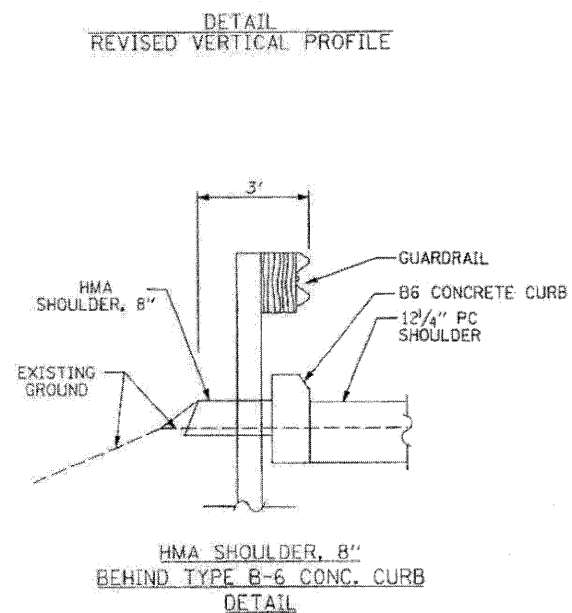
- LEGEND**
- ① 12 1/4" CRPCC Pavement or 12 1/4" Bridge Approach Pav't Connector (PCC)
 - ② 4" Stabilized Sub-Base
 - ③ Aggregate Subgrade 12"
 - ④ Concrete Shoulder 12 1/4"
 - ⑤ Concrete Curb B6
 - ⑥ Aggregate Shoulder Type A
 - ⑦ 4" Pipe Underdrain
 - ⑧ HMA Shoulders, 8"
 - ⑨ Granular Material, Type C (See Note)



SOUTHBOUND LANES
 STA. 874+87± TO STA. 875+86.87
 (PAVING OMISSION - US ROUTE 30)
 STA. 878+28.86 TO STA. 879+29±
 STA. 1177+30± TO STA. 1178+39.30
 (PAVING OMISSION - STEWARD CREEK)
 STA. 1180+78.29 TO STA. 1186+94.06



NORTHBOUND LANES
 STA. 874+91± TO STA. 875+90.56
 (PAVING OMISSION - US ROUTE 30)
 STA. 878+25.56 TO STA. 879+26±
 STA. 1177+76± TO STA. 1178+84.54
 (PAVING OMISSION - STEWARD CREEK)
 STA. 1181+23.55 TO STA. 1187+01.08



NOTE:
 GRANULAR MATERIAL, TYPE C WILL BE CA6 OR CA10
 AND WILL BE INCLUDED IN THE COST FOR PCC SHOULDERS.

TYP-1

FILE NAME = D264E97-shr-typ0012.dgn
 PLOT DATE = 3/29/2010
 PLOT SCALE = 58.0000' / 1" IN.

CHRISTIAN-ROGE & ASSOCIATES, INC.
 ENGINEERS-PLANNERS-SURVEYORS
 211 WEST WACKER DRIVE
 CHICAGO, ILLINOIS 60606
 PHONE: (312)372-2023 FAX: (312)372-5274

DESIGNED - M.P.
 DRAWN - D.L.
 CHECKED - E.M.
 DATE - MARCH 2010

REVISED -
 REVISED -
 REVISED -
 REVISED -

STATE OF ILLINOIS
DEPARTMENT OF TRANSPORTATION

PROPOSED TYPICAL SECTIONS
I-39

SCALE:	SHEET NO. OF SHEETS	STA. TO STA.
--------	---------------------	--------------

F.A.I. RTE.	SECTION	COUNTY	TOTAL SHEETS	SHEET NO.
39	103-1, 103-2/RS	LEE	313	26
CONTRACT NO. 64E97				
FED. ROAD DIST. NO. 1 ILLINOIS FED. AID PROJECT				