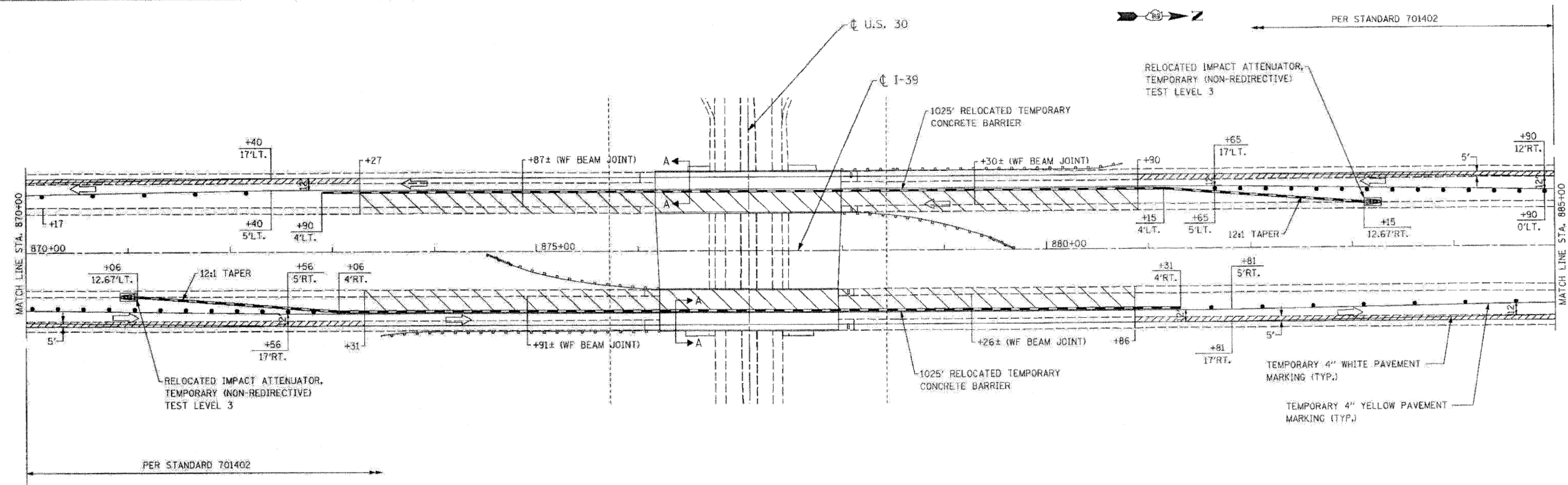
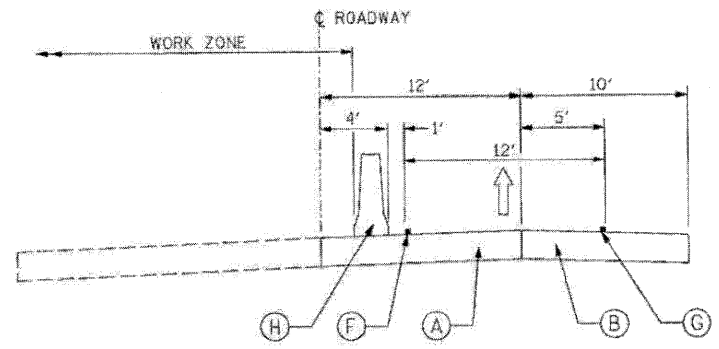


DATE	
BY	
REVISIONS	
NO.	
DATE	
BY	
REVISIONS	
NO.	
DATE	
BY	
REVISIONS	
NO.	

DATE	
BY	
REVISIONS	
NO.	
DATE	
BY	
REVISIONS	
NO.	
DATE	
BY	
REVISIONS	
NO.	



- LEGEND**
- PROPOSED HMA SURFACE REMOVAL, 2" HMA SURFACE COURSE, MIX 'C', NS0, 2"
  - BRIDGE APPROACH SHOULDER REMOVAL
  - TEMPORARY CONCRETE BARRIER
  - TEMPORARY ATTENUATOR
  - TRAFFIC FLOW ARROW
  - WORK ZONE



- LEGEND**
- (A) EXISTING 12.25" C.R.C.P.
  - (B) EXISTING 12" CONCRETE SHOULDER
  - (C) PROPOSED HMA SURFACE REMOVAL, 2"
  - (D) HMA SURFACE COURSE, MIX 'C', NS0, 2"
  - (E) EXISTING PAVEMENT MARKING TO BE REMOVED
  - (F) TEMPORARY 4" YELLOW LINE
  - (G) TEMPORARY 4" WHITE LINE
  - (H) TEMPORARY CONCRETE BARRIER

FILE NAME: 0264E97-shc-staging08.dgn  
 PLOT DATE: 3/29/2010  
 PLOT SCALE: 0.8000" = 1" IN.

**CHRISTIAN-ROGE & ASSOCIATES, INC.**  
 ENGINEERS-PLANNERS-SURVEYORS  
 211 WEST WACKER DRIVE  
 CHICAGO, ILLINOIS 60606  
 PHONE: (312)372-2023 FAX: (312)372-5274

DESIGNED	E.M.	REVISED	
DRAWN	J.V.	REVISED	
CHECKED	M.P.	REVISED	
DATE	MARCH 2010	REVISED	

**STATE OF ILLINOIS**  
**DEPARTMENT OF TRANSPORTATION**

**TRAFFIC CONTROL AND PROTECTION**  
**I-39 AT US 30**  
**STAGE II**

SCALE: SHEET NO. OF SHEETS STA. TO STA.

F.A.T. RTE.	SECTION	COUNTY	TOTAL SHEETS	SHEET NO.
39	103-1, 103-2RS	LEE	313	87
FED. ROAD DIST. NO. 1 ILLINOIS FED. AID PROJECT				CONTRACT NO. 64E97

MOT 08