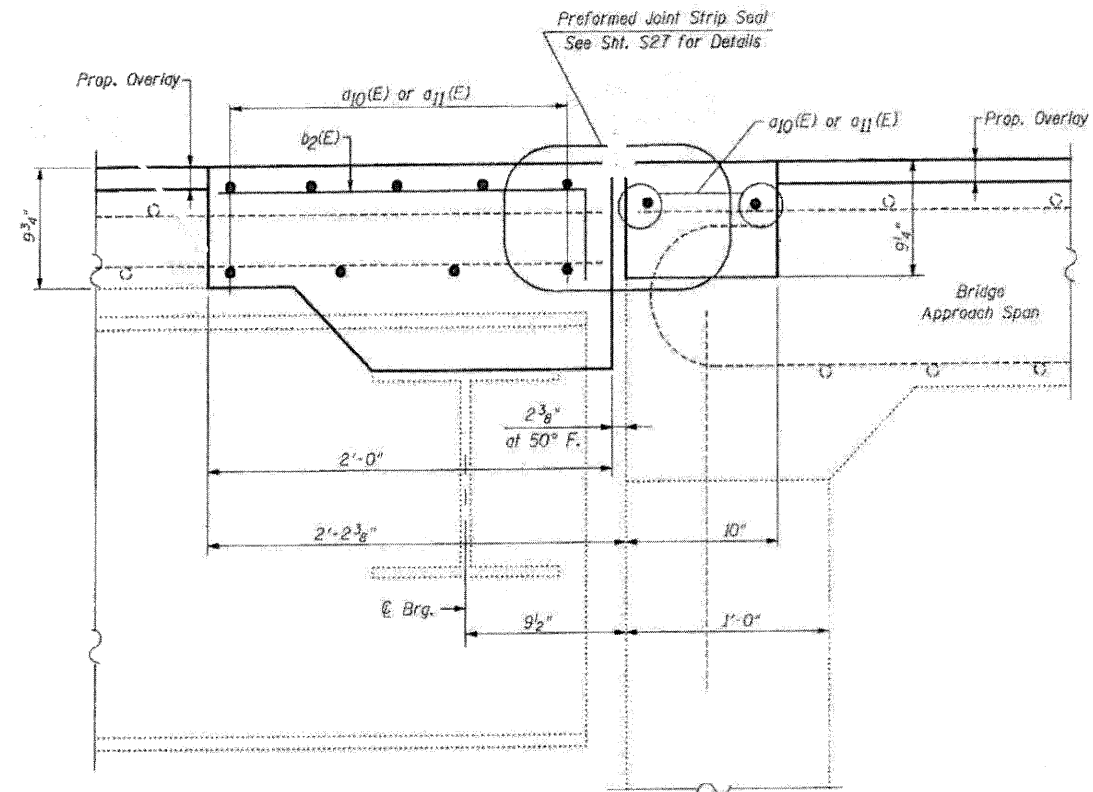
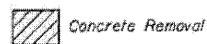


EXISTING

SECTION B-B

SOUTHBOUND STRUCTURE-NORTH ABUTMENT

LEGEND:



PROPOSED

SECTION B-B

SOUTHBOUND STRUCTURE-NORTH ABUTMENT

NOTE:

For Bar Splicer Assembly Details, See Sht. S26

FILE NAME = 0520052-64E97-08-N-Abut-SB
 PLOT DATE = 3/29/2010
 PLOT SCALE = 50.0000' = 1\"/>

CR
CHRISTIAN-ROGE & ASSOCIATES, INC.
 ENGINEERS-PLANNERS-SURVEYORS
 211 WEST WACKER DRIVE
 CHICAGO, ILLINOIS 60606
 PHONE: (312)372-2823 FAX: (312)372-5274

DESIGNED - B.N.S./J.C.N.
 DRAWN - D.L./F.M.
 CHECKED - B.N.S./J.C.N.
 DATE - MARCH, 2010

REVISED -
 REVISED -
 REVISED -
 REVISED -

STATE OF ILLINOIS
DEPARTMENT OF TRANSPORTATION

JOINT RECONSTRUCTION DETAILS AT NORTH ABUTMENT
SOUTHBOUND STRUCTURE
I-39 OVER U.S. RTE. 30

S.N. 052-0052

SCALE: SHEET NO. 58 OF 528 SHEETS STA. TO STA.

F.A.I. RTE.	SECTION	COUNTY	TOTAL SHEETS	SHEET NO.
39	(103-1), 103-2(RS)	LEE	313	143
FED. ROAD DIST. NO. ILLINOIS FED. AID PROJECT			CONTRACT NO. 64E97	