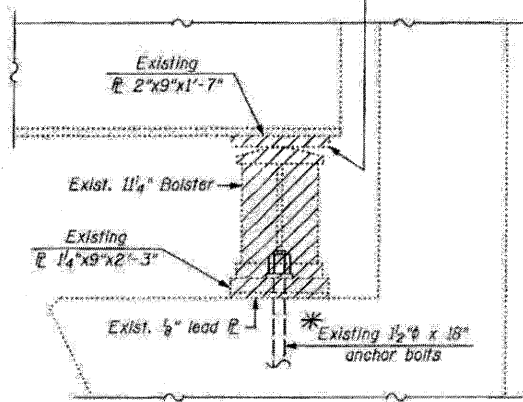
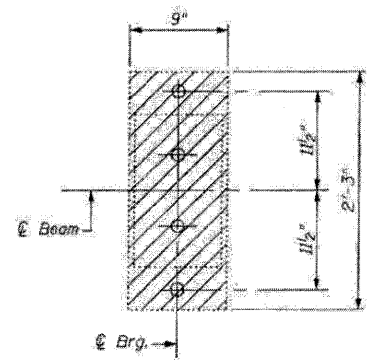


Existing plate to be removed using the air-arc method and grind smooth all weld material remaining on the bottom flange



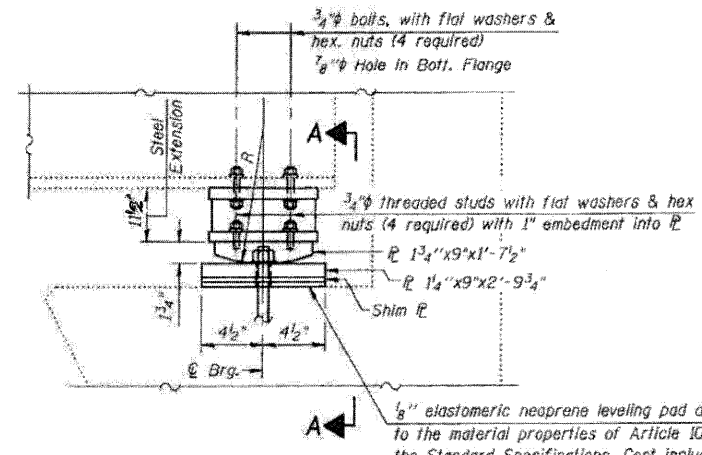
* Burn existing anchor bolts flush with existing concrete surface. Grind existing anchor bolts smooth and seal with epoxy. Cost included with "Jack and Remove Existing Bearings"

ELEVATION



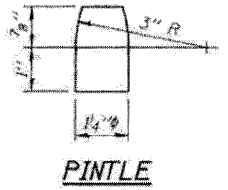
PLAN

EXISTING BEARING REMOVAL AT SOUTH ABUTMENT



ELEVATION

PROPOSED FIXED BEARING AT SOUTH ABUTMENT (12 required)



PINTE

INTERIOR GIRDER REACTION TABLE

| | | South Abutment (SB) |
|-------------------|-----|---------------------|
| R _D | (k) | 86.6 |
| R _L | (k) | 45.1 |
| R _{Imp.} | (k) | 8.7 |
| R (Total) | (k) | 140.4 |

INTERIOR GIRDER REACTION TABLE

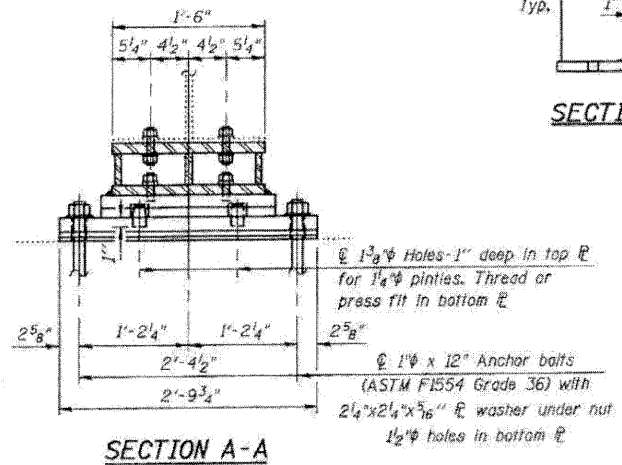
| | | South Abutment (NB) |
|-------------------|-----|---------------------|
| R _D | (k) | 80.7 |
| R _L | (k) | 43.6 |
| R _{Imp.} | (k) | 8.7 |
| R (Total) | (k) | 133.0 |

Notes:
 Anchor bolts shall be ASTM F1554 all-thread for an Engineer-approved alternate material of the grade(s) and diameter(s) specified, ASTM A307 Grade C anchor bolts may be used in lieu of ASTM F1554 Grade 36 (F_y=36ksi). The corresponding specified grade of AASHTO M314 anchor bolts may be used in lieu of ASTM F1554.
 Anchor bolts at fixed bearings will be installed in holes drilled after the supported members are in place.
 Drilled and set anchor bolts shall be installed according to Article 521.06 of the Standard Specifications.

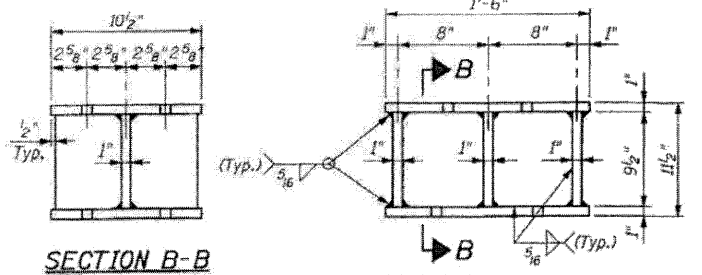
Prior to ordering any materials, the Contractor shall verify, in the field, all bearing height and shim thickness dimensions.

Min. jack capacity = 90 tons at each bearing location.
 Steel extensions, shim plates and connection bolts are included with Furnishing and Erecting Structural Steel.

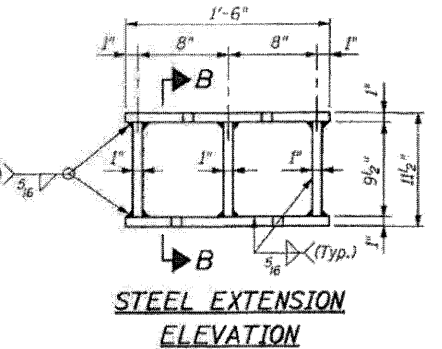
Two 1/2 in. adjusting shims shall be provided for each bearing in addition to all other plates or shims and placed as shown on bearing details.



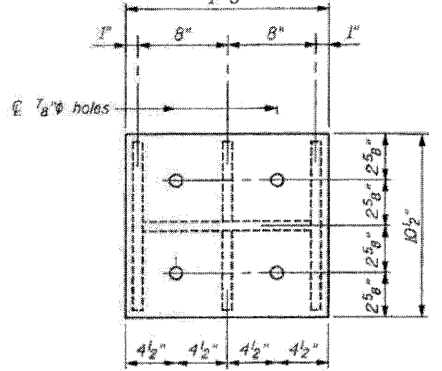
SECTION A-A



SECTION B-B



STEEL EXTENSION ELEVATION



TOP & BOTTOM PLATE PLAN

STEEL EXTENSION DETAIL (12 required)

BILL OF MATERIAL

| Item | Unit | Total |
|--|-------|-------|
| Anchor Bolts, 1" | Each | 24 |
| Furnishing and Erecting Structural Steel | Pound | 5,570 |
| Jack and Remove Existing Bearings | Each | 12 |

BEARING DETAILS STRUCTURE NO'S. 052-0052 (SB) & 052-0053 (NB)