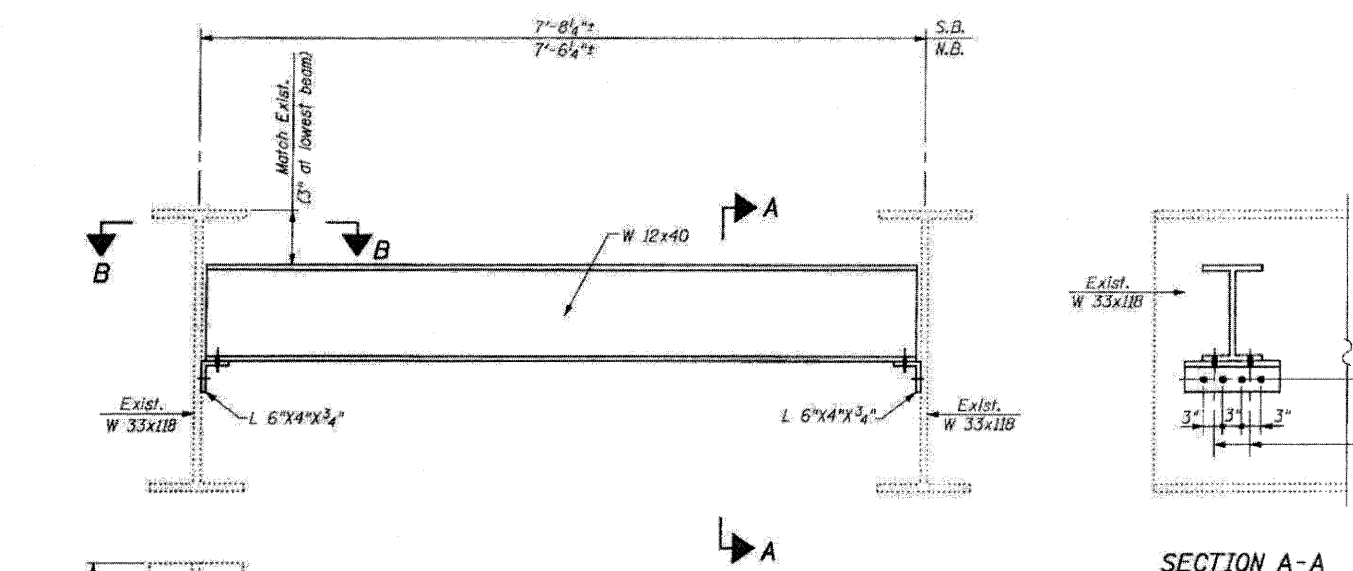


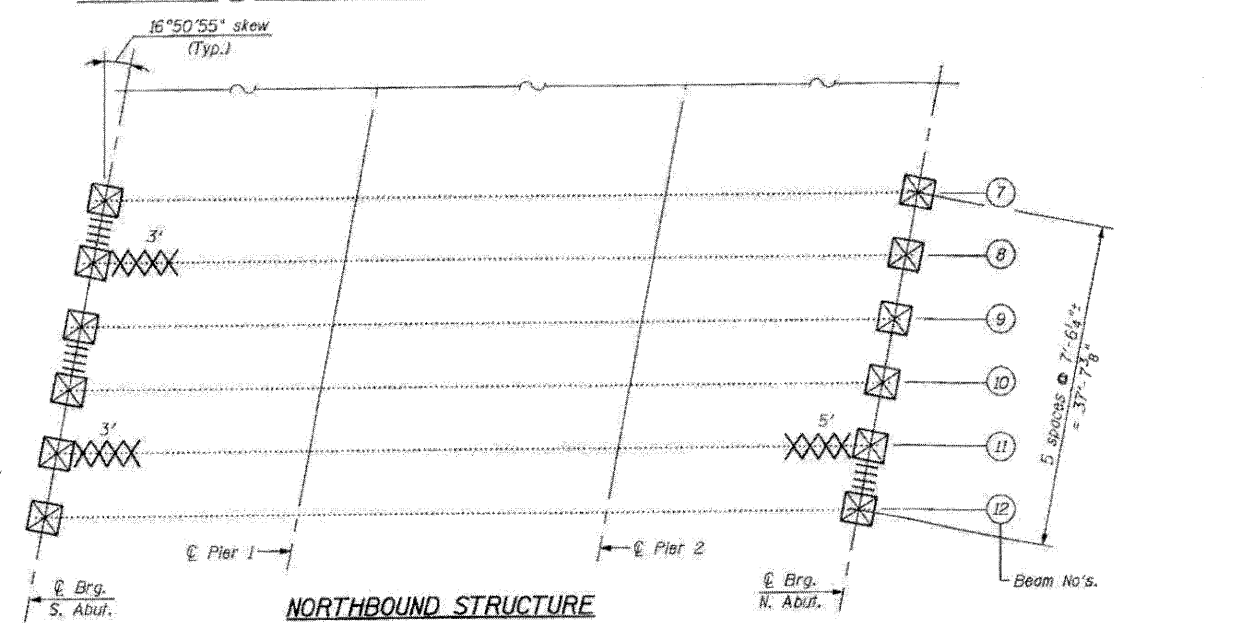
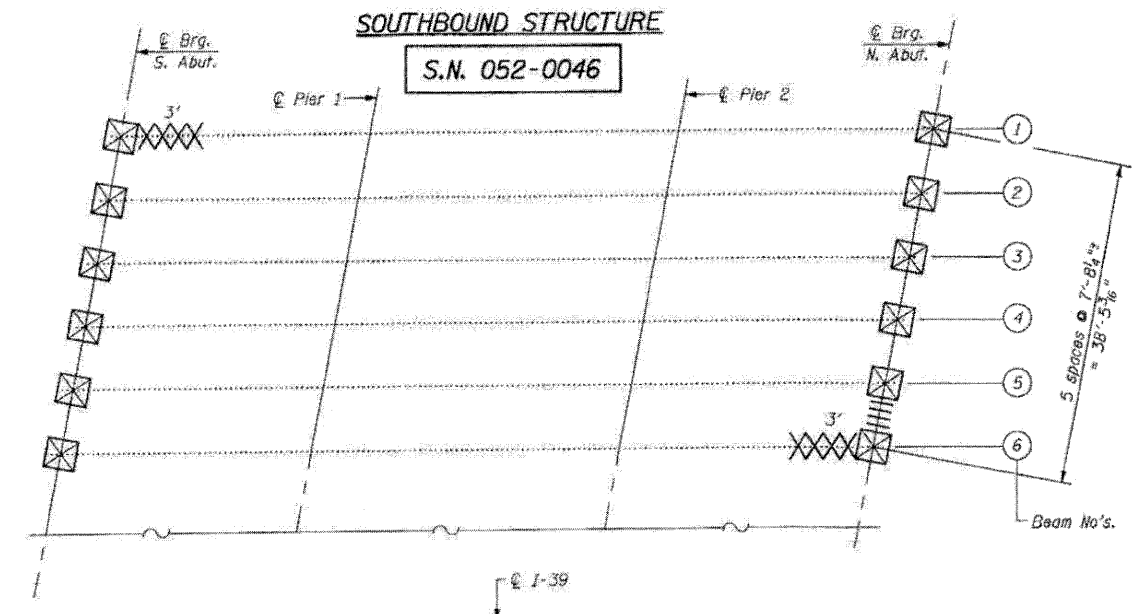
EXISTING END DIAPHRAGM
(See framing plan for locations)
(4 thus)



PROPOSED END DIAPHRAGM
(See framing plan for locations)
(4 thus)

Existing clip angle to be removed using air-arc method and grind smooth all weld material remaining on the web.

LEGEND:
[Hatched Box] Structural Steel Removal



FRAMING PLAN
(Showing structural steel repairs)

LEGEND:
[Box with X] Bearing Replacement
[Box with vertical lines] Diaphragm Replacement
[Box with diagonal lines] End of Beam Repair

BILL OF MATERIAL

ITEM	UNIT	QUANTITY
Structural Steel Removal	Pound	1,560
Furnishing and Erecting Structural Steel	Pound	1,560

FILE NAME = 0020045-64E97-13-stl-repair.dwg
PLOT DATE = 3/29/2010
PLOT SCALE = 50.0000 1/2 IN.

CHRISTIAN BOGE & ASSOCIATES, INC.
ENGINEERS-PLANNERS-SURVEYORS
211 WEST WACKER DRIVE
CHICAGO, ILLINOIS 60606
PHONE: (312)372-2023 FAX: (312)372-5274

DESIGNED - B.N.S./J.C.N. REVISIONS -
DRAWN - D.L./F.M. REVISIONS -
CHECKED - B.N.S./J.C.N. REVISIONS -
DATE - MARCH, 2010 REVISIONS -

STATE OF ILLINOIS
DEPARTMENT OF TRANSPORTATION

STRUCTURAL STEEL REPAIRS - I
SOUTHBOUND & NORTHBOUND STRUCTURES
I-39 OVER B.N. R.R.
S.N. 052-0046
S.N. 052-0047

F.A.I. RTE.	SECTION	COUNTY	TOTAL SHEETS	SHEET NO.
39	103-1, 103-2/RS	LEE	313	202
CONTRACT NO. 64E97				
FED. ROAD DIST. NO.		ILLINOIS FED. AID PROJECT		

SCALE: SHEET NO. 513 OF 527 SHEETS STA. TO STA.