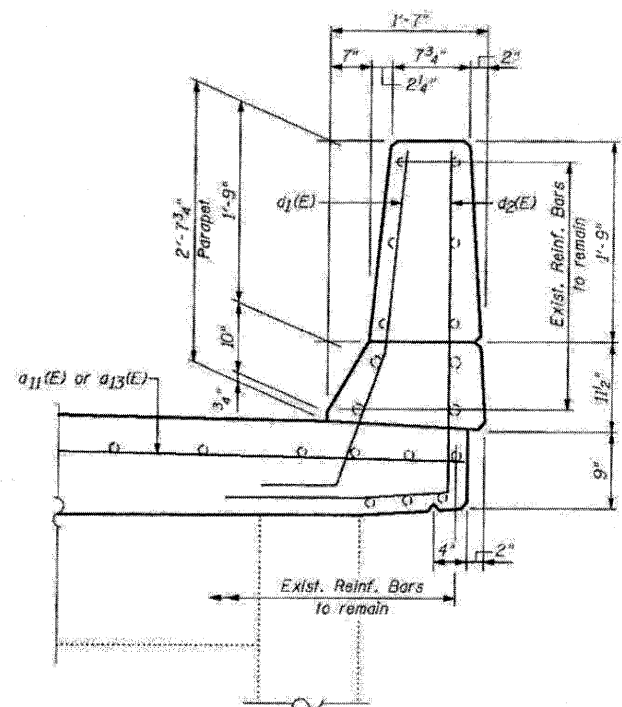
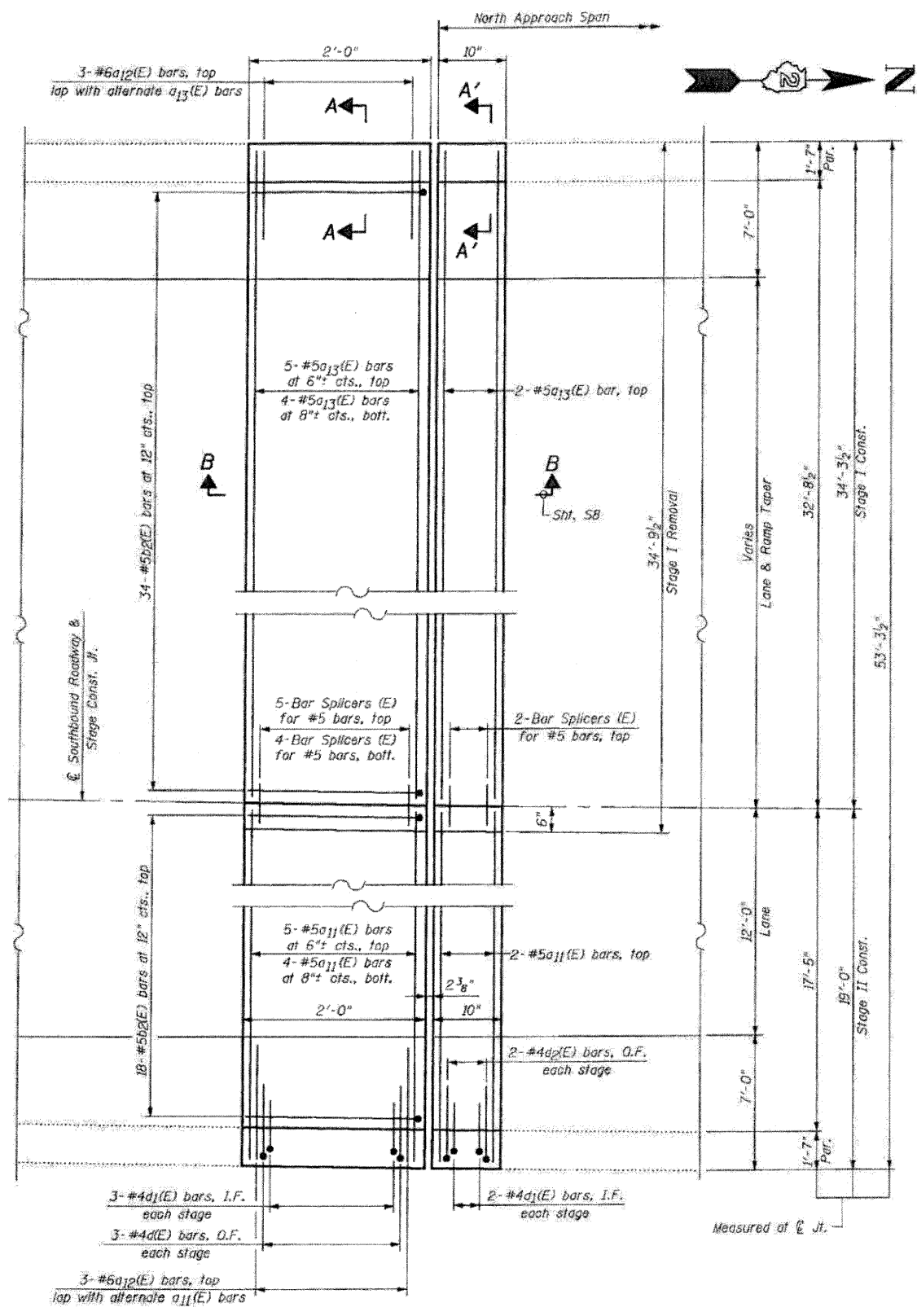


SECTION A-A

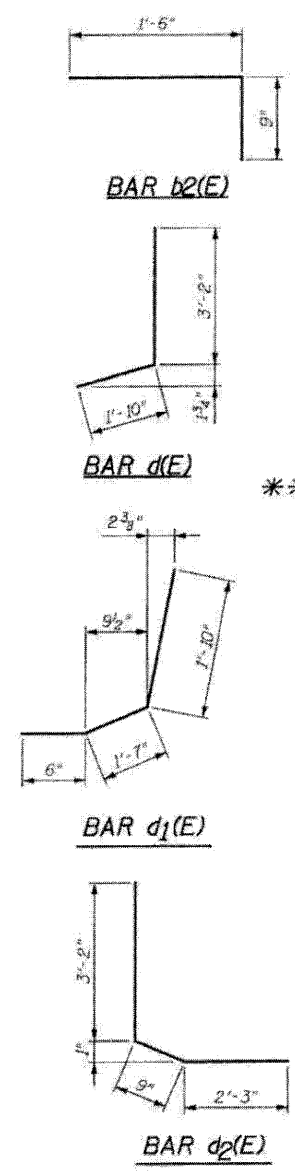


SECTION A'-A'



PROPOSED PLAN

NORTH ABUTMENT AT SOUTHBOUND STRUCTURE



BAR b2(E)

BAR d1(E)

BAR d2(E)

LEGEND:  
O.F. = Outside Face  
I.F. = Inside Face

BILL OF MATERIAL				
Bar	No.	Size	Length	Shape
a11(E)	11	#5	18'-6"	—
a12(E)	6	#6	4'-0"	—
a13(E)	11	#5	33'-9"	—
b2(E)	52	#5	2'-3"	U
d1(E)	6	#4	5'-0"	J
d1(E)	10	#5	3'-11"	J
d2(E)	4	#4	6'-2"	L
		Reinforcement Bars, Epoxy Coated	Pound	830
		Concrete Removal	Cu. Yd.	6.1
		Concrete Superstructure	Cu. Yd.	7.1
		Bar Splicers	Each	11
		Protective Coat	Sq. Yd.	3

\*\*\*  
\*\*\*  
Quantity for Top & Inside Face of Reconstructed Parapets

FILE NAME = 0528844-64E97-07-N-Abut-SB  
PLOT DATE = 3/29/2010  
PLOT SCALE = 5/8" = 1' IN.

CHRISTIAN ROGE & ASSOCIATES, INC.  
ENGINEERS-PLANNERS-SURVEYORS  
211 WEST WACKER DRIVE  
CHICAGO, ILLINOIS 60606  
PHONE: (312)372-2023 FAX: (312)372-5274

DESIGNED - B.N.S./J.C.N.  
DRAWN - D.L./F.M.  
CHECKED - B.N.S./J.C.N.  
DATE - MARCH, 2010

REVISED -  
REVISED -  
REVISED -  
REVISED -

STATE OF ILLINOIS  
DEPARTMENT OF TRANSPORTATION

JOINT RECONSTRUCTION AT NORTH ABUTMENT  
SOUTHBOUND STRUCTURE  
I-39 OVER PERRY ROAD  
S.N. 052-0044  
SCALE: SHEET NO. S7 OF S28 SHEETS STA. TO STA.

F.A.I. RTE.	SECTION	COUNTY	TOTAL SHEETS	SHEET NO.
39	(103-1, 103-2)RS	LEE	313	223
FED. ROAD DIST. NO. ILLINOIS FED. AID PROJECT			CONTRACT NO. 64E97	