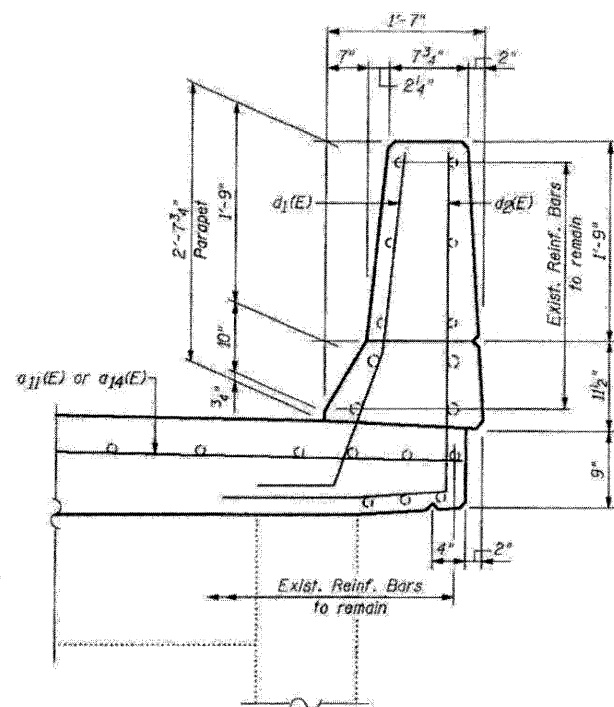
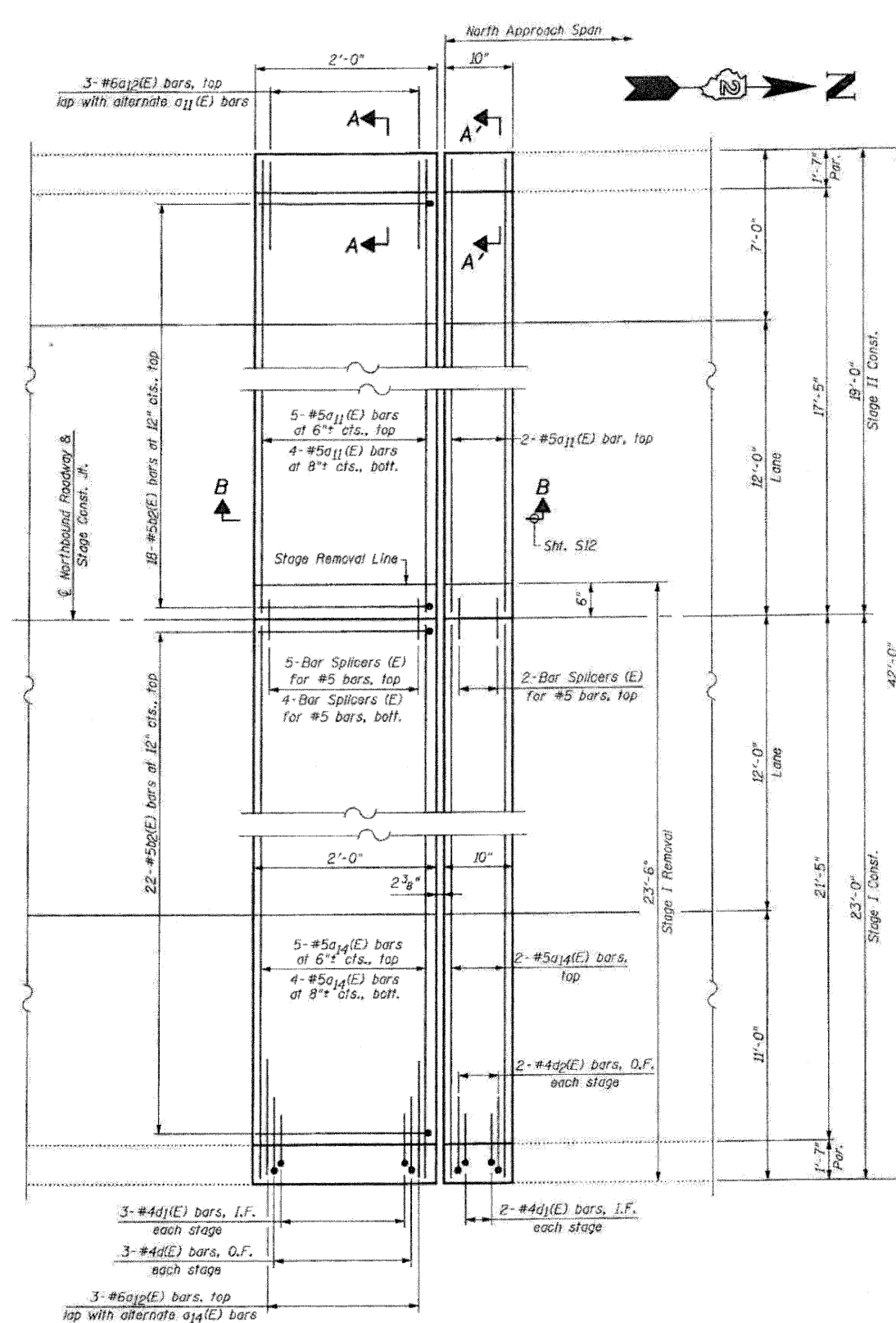


SECTION A-A

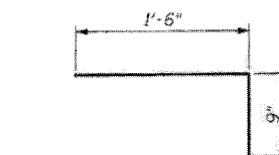


SECTION A'-A'

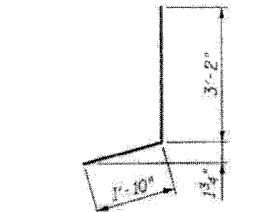


PROPOSED PLAN

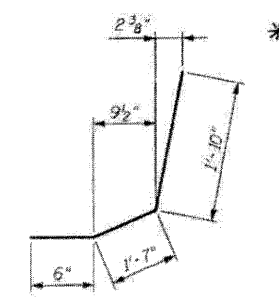
NORTH ABUTMENT AT
NORTHBOUND STRUCTURE



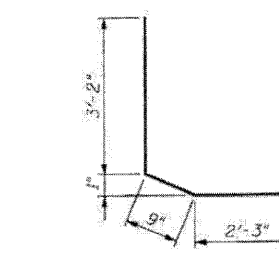
BAR b2(E)



BAR d(E)



BAR d1(E)



BAR d2(E)

LEGEND:
O.F. = Outside Face
I.F. = Inside Face

BILL OF MATERIAL				
Bar	No.	Size	Length	Shape
a11(E)	11	#5	18'-6"	—
a12(E)	6	#6	4'-0"	—
a14(E)	11	#5	22'-6"	—
b2(E)	40	#5	2'-3"	└
d(E)	6	#4	5'-0"	J
d1(E)	10	#5	3'-11"	J
d2(E)	4	#4	6'-2"	L
Reinforcement Bars, Epoxy Coated	Pound	680		
Concrete Removal	Cu. Yd.	4.9		
Concrete Superstructure	Cu. Yd.	5.7		
Bar Splicers	Each	11		
Protective Coat	Sq. Yd.	3		

Quantity for Top & Inside Face of
Reconstructed Parapets