

STANDARD BAR SPLICER ASSEMBLY

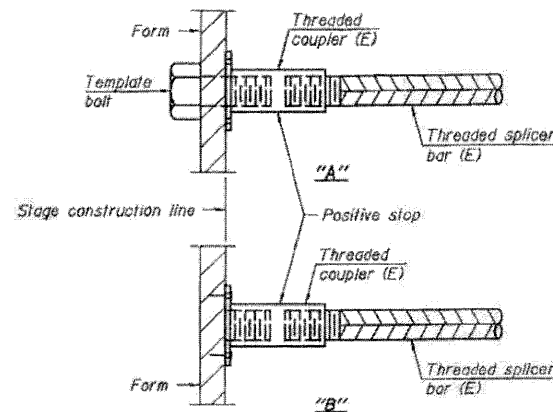
Bar size to be spliced	Minimum Lap Lengths			
	Table 1	Table 2	Table 3	Table 4
3, 4	1'-5"	1'-11"	2'-1"	2'-4"
5	1'-9"	2'-5"	2'-7"	2'-11"
6	2'-1"	2'-11"	3'-1"	3'-6"
7	2'-9"	3'-10"	4'-2"	4'-8"
8	3'-8"	5'-1"	5'-5"	6'-2"
9	4'-7"	6'-5"	6'-10"	7'-9"

Table 1: Black bar, O.B. Class C
 Table 2: Black bar, Top bar lap, O.B. Class C
 Table 3: Epoxy bar, O.B. Class C
 Table 4: Epoxy bar, Top bar lap, O.B. Class C

Threaded splicer bar length = min. lap length + 1 1/2" + thread length

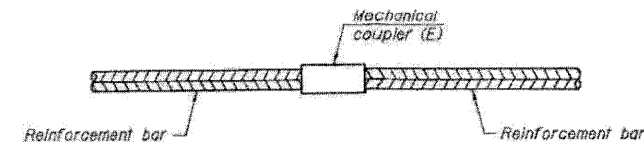
* Epoxy not required on Bar Splicer Assembly components used in conjunction with black bars.

Location	Bar size	No. assemblies required	Table for minimum lap length
Joint Reconstruction of S. Abut. SB Structure	#5	11	4
Joint Reconstruction of N. Abut. SB Structure	#5	11	4
Joint Reconstruction of S. Abut. NB Structure	#5	11	4
Joint Reconstruction of N. Abut. NB Structure	#5	11	4
South Approach Slab - SB Structure	#4	25	4
South Approach Slab - SB Structure	#5	46	3
South Approach Footing - SB Structure	#5	40	3
North Approach Slab - SB Structure	#4	25	4
North Approach Slab - SB Structure	#5	46	3
North Approach Footing - SB Structure	#5	40	3
South Approach Slab - NB Structure	#4	25	4
South Approach Slab - NB Structure	#5	46	3
South Approach Footing - NB Structure	#5	40	3
North Approach Slab - NB Structure	#4	25	4
North Approach Slab - NB Structure	#5	46	3
North Approach Footing - NB Structure	#5	40	3
Total		488	



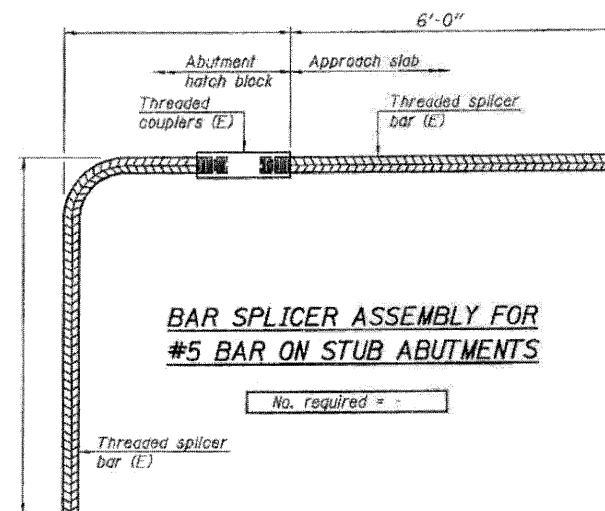
INSTALLATION AND SETTING METHODS

"A": Set bar splicer assembly by means of a template bolt.
 "B": Set bar splicer assembly by nailing to wood forms or cementing to steel forms.
 (E) : Indicates epoxy coating.



STANDARD MECHANICAL SPLICER

Location	Bar size	No. assemblies required

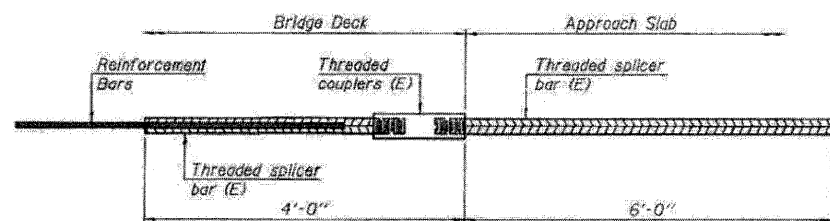


BAR SPLICER ASSEMBLY FOR #5 BAR ON STUB ABUTMENTS

No. required = -

NOTES

Splicer bars shall be deformed with threaded ends and have a minimum 60 ksi yield strength.
 All reinforcement shall be lapped and tied to the splicer bars.
 Bar splicer assemblies shall be epoxy coated according to the requirements for reinforcement bars. See Section 508 of the Standard Specifications.
 See special provision for Mechanical Splicers.
 See approved list of bar splicer assemblies and mechanical splicers for alternatives.



BAR SPLICER ASSEMBLY FOR #5 BAR ON INTEGRAL OR SEMI-INTEGRAL ABUTMENTS

No. required = -

BAR SPLICER ASSEMBLY AND MECHANICAL SPLICER DETAILS
STRUCTURE NO'S. 052-0044 (SB) & 052-0045 (NB)

BSD-1 11-1-09

FILE NAME: 052004+64E97-26-bar-spl.dgn
 PLOT DATE: 3/29/2010
 PLOT SCALE: 50.0000 1/1 IN.

CHRISTIAN-HOGE & ASSOCIATES, INC.
 ENGINEERS-PLANNERS-SURVEYORS
 271 WEST WACKER DRIVE
 CHICAGO, ILLINOIS 60606
 PHONE: (312)372-2023 FAX: (312)372-5274

DESIGNED - B.N.S./J.C.N.
 DRAWN - D.L./E.M.
 CHECKED - B.N.S./J.C.N.
 DATE - MARCH, 2010

REVISED -
 REVISED -
 REVISED -
 REVISED -

STATE OF ILLINOIS
DEPARTMENT OF TRANSPORTATION

BAR SPLICER ASSEMBLY AND MECHANICAL SPLICER DETAILS
SOUTHBOUND & NORTHBOUND STRUCTURES S.N. 052-0044
I-39 OVER PERRY ROAD S.N. 052-0045

SCALE: SHEET NO. 526 OF 528 SHEETS STA. TO STA.

F.A.I. RTE.	SECTION	COUNTY	TOTAL SHEETS	SHEET NO.
39	(103-1, 103-2)RS	LEE	313	242
CONTRACT NO. 64E97				
FED. ROAD DIST. NO. ILLINOIS FED. AID PROJECT				