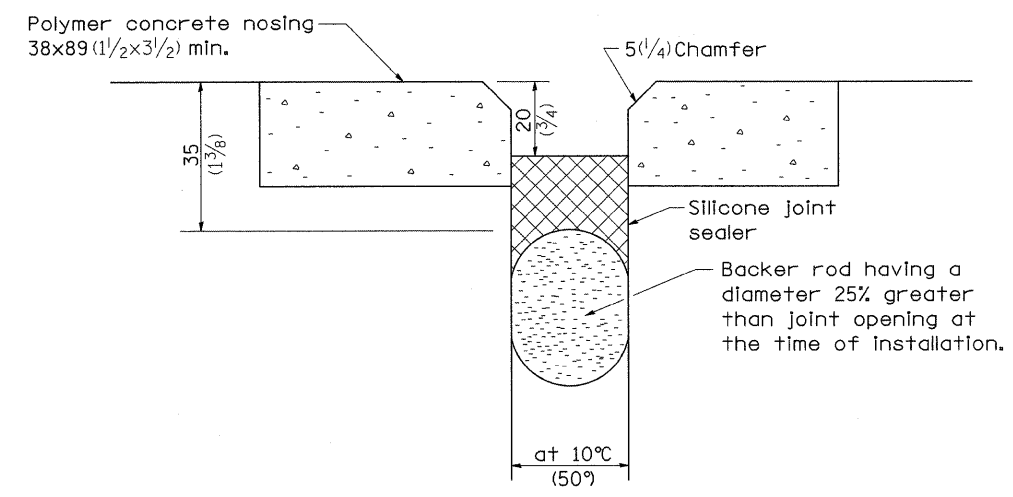


# SILICONE JOINT SEAL (CONCRETE DETAILS)

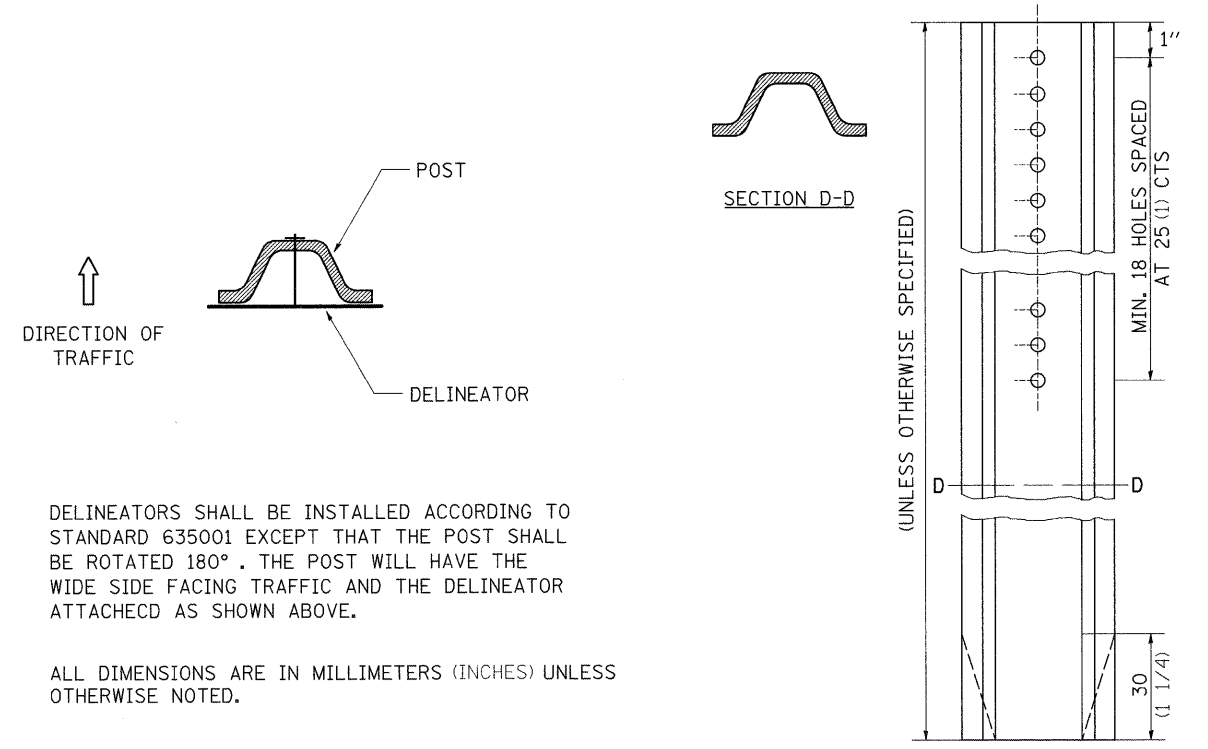


ALL DIMENSIONS ARE IN MILLIMETERS (INCHES) UNLESS OTHERWISE NOTED.

REVISED - 5-1-96

SILICONE JOINT SEAL (CONCRETE DETAILS) 29.4

# DELINEATOR AND POST ORIENTATION



DELINEATORS SHALL BE INSTALLED ACCORDING TO STANDARD 635001 EXCEPT THAT THE POST SHALL BE ROTATED 180°. THE POST WILL HAVE THE WIDE SIDE FACING TRAFFIC AND THE DELINEATOR ATTACHED AS SHOWN ABOVE.

ALL DIMENSIONS ARE IN MILLIMETERS (INCHES) UNLESS OTHERWISE NOTED.

REVISED - 11-01-07

DELINEATOR AND POST ORIENTATION 37.4

# ROAD CLOSED TO OVERSIZED LOADS



Permit Loads - Loads Over 13 Feet; 3.0" Radius; 1.3" Border; Black on Orange; [NO OVERSIZE -] D; [OVERWEIGHT LOADS] D 85% spacing; [XX MILES AHEAD] D;

Table of letter and object lifts:

N	O	D	V	E	R	S	I	Z	E	-	
11.7	16.1	30.0	36.2	42.2	48.4	54.4	60.7	63.0	69.5	80.0	
O	V	E	R	L	O	A	D	S			
2.6	8.6	15.0	20.4	26.2	33.4	38.8	41.3	47.4	53.2	64.5	
X	X	M	I	L	E	S	A	H	E	A	D
7.8	13.6	25.3	32.3	35.1	40.6	46.2	57.9	65.1	71.4	78.9	83.7

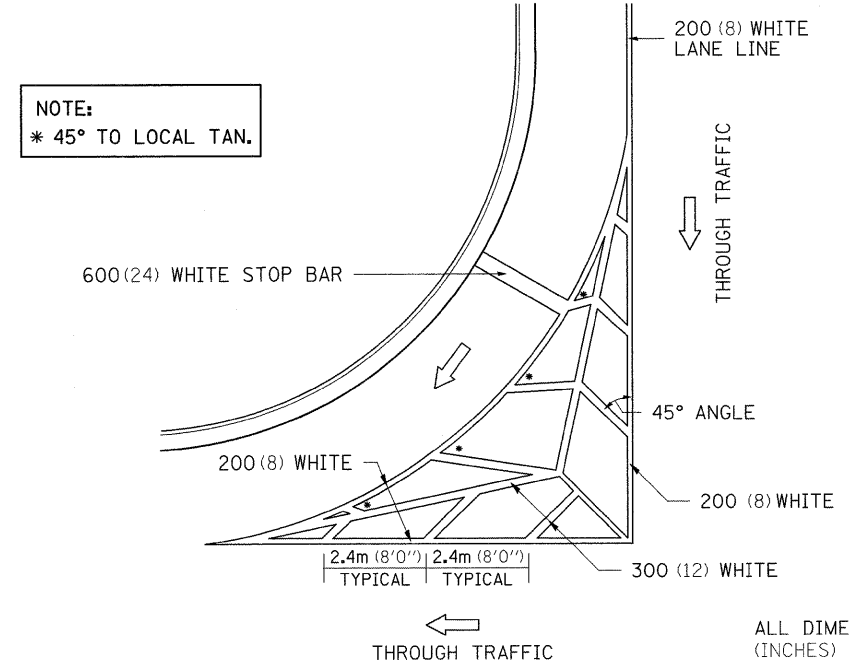
All work to furnish and install these signs shall be included in the cost of the Traffic Control Standards and shall not be paid for separately.

ALL DIMENSIONS ARE IN INCHES UNLESS OTHERWISE NOTED.

REVISED - 3-11-09

ROAD CLOSED TO OVERSIZED LOADS 40.4

# TYPICAL MARKING FOR PAINTED ISLANDS



NOTE:  
\* 45° TO LOCAL TAN.

ALL DIMENSIONS ARE IN MILLIMETERS (INCHES) UNLESS OTHERWISE NOTED.

REVISED - 2-7-05	REGION 2 / DISTRICT 2 STANDARD			F.A.I. RTE.	SECTION	COUNTY	TOTAL SHEETS	SHEET NO.
REVISED -	SCALE: 50.0000' / 1"	SHEET NO.	OF SHEETS	STA.	TO STA.	LEE	313	249
REVISED -				CONTRACT NO. 64E97		ILLINOIS FED. AID PROJECT		
REVISED -				FED. ROAD DIST. NO.				

TYPICAL MARKING FOR PAINTED ISLANDS 93.4