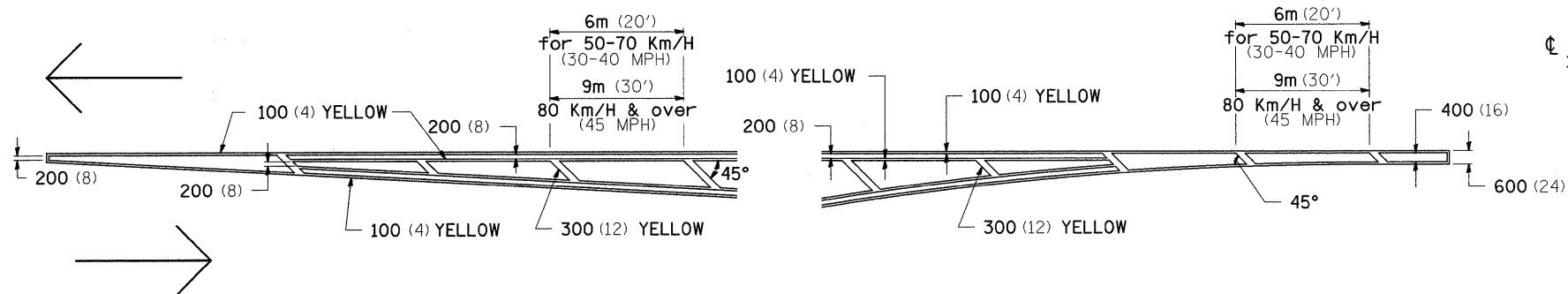
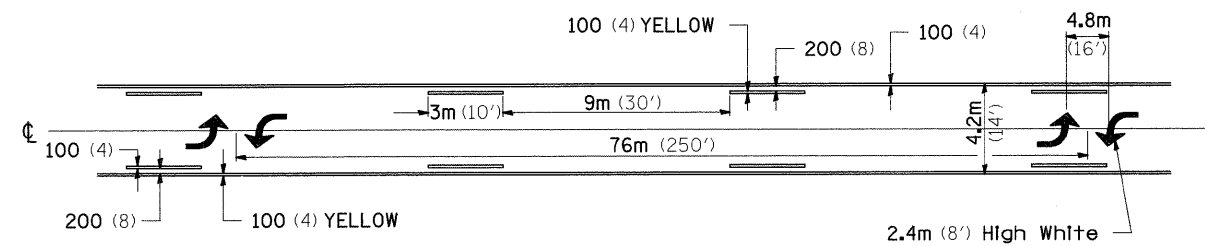


# TYPICAL PAVEMENT MARKINGS

## TYPICAL PAVEMENT MARKING FOR FLUSH MEDIAN AT LEFT TURN LANE

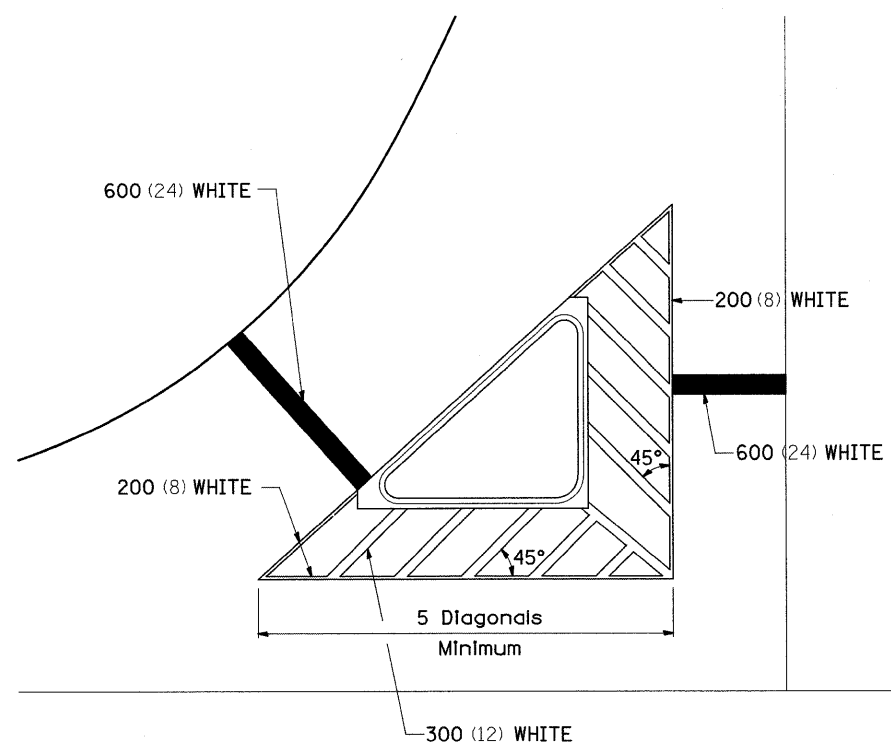


## MEDIAN PAVEMENT MARKING

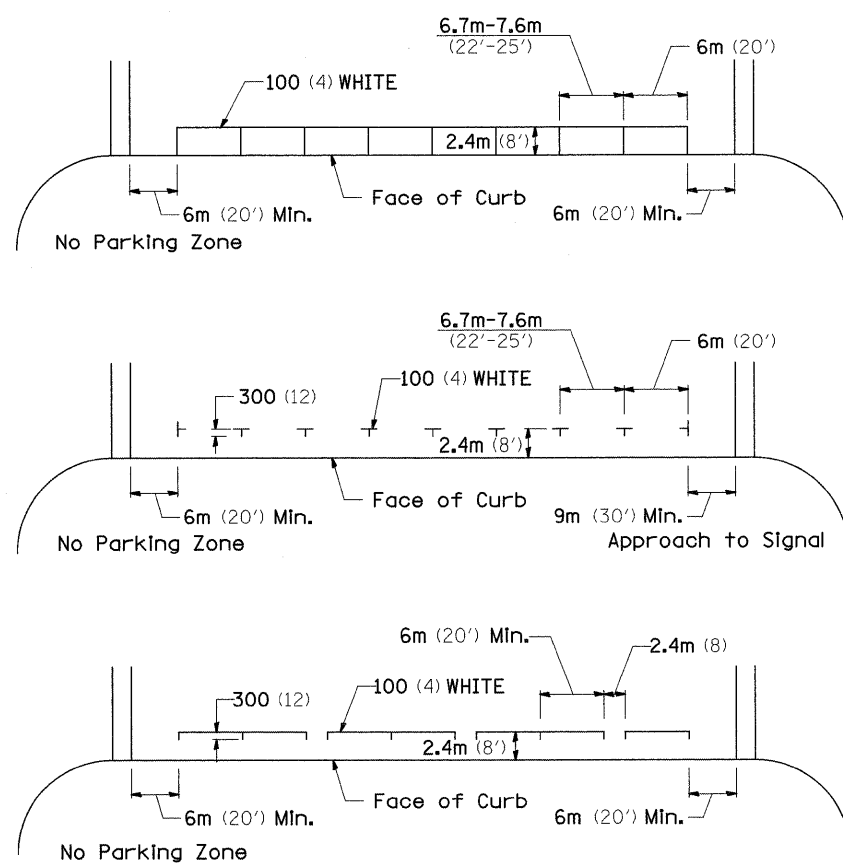


\*\* ALL DIMENSIONS ARE IN MILLIMETERS (INCHES) UNLESS OTHERWISE NOTED.

## TYPICAL ISLAND OFFSET SHOULDER WIDTH

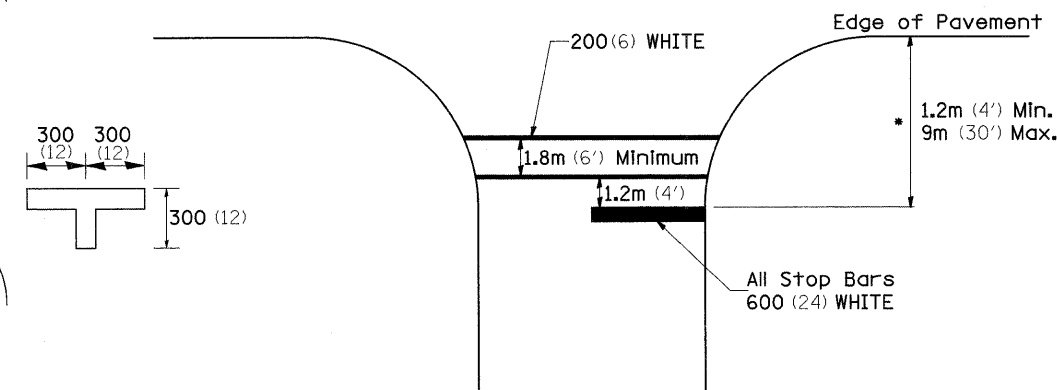


## TYPICAL PARKING SPACING



## STANDARD CROSSWALK MARKING

See Schedules for Locations



\* Distance to the nearest edge of the intersecting roadway in the absence of a marked crosswalk.

FILE NAME =	USER NAME = dossed	DESIGNED -	REVISED - 10-21-08	<b>STATE OF ILLINOIS DEPARTMENT OF TRANSPORTATION</b>	<b>REGION 2 / DISTRICT 2 STANDARD</b>			F.A.I. RTE.	SECTION	COUNTY	TOTAL SHEETS	SHEET NO.
os:\pw_work\VPWIDOT\DOSSDD\0149531\0285629-aht-cover.dgn	PLOT SCALE = 50.0000' / IN.	DRAWN -	REVISED -					39	(103-1, 103-2)RS	LEE	313	254
PLOT DATE = Fri Mar 26 07:26:50 2010	DATE -	CHECKED -	REVISED -					CONTRACT NO. 64E97			FED. ROAD DIST. NO.	ILLINOIS FED. AID PROJECT
		DATE -	REVISED -					SCALE:	SHEET NO.	OF SHEETS	STA.	TO STA.