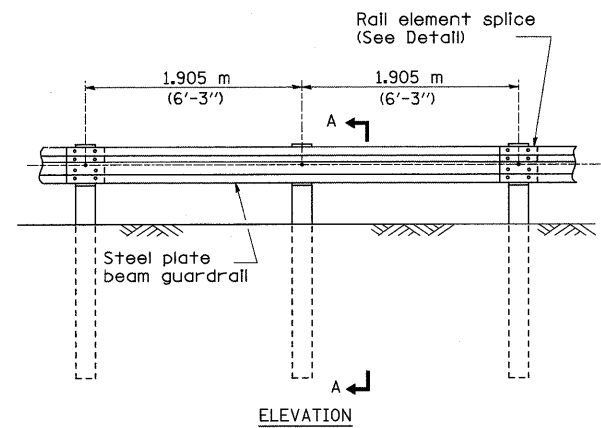
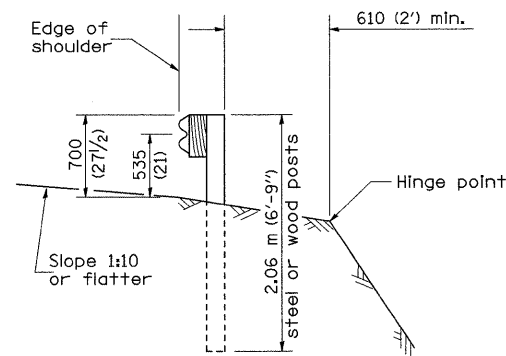


REMOVE AND REERECT STEEL PLATE BEAM GUARDRAIL

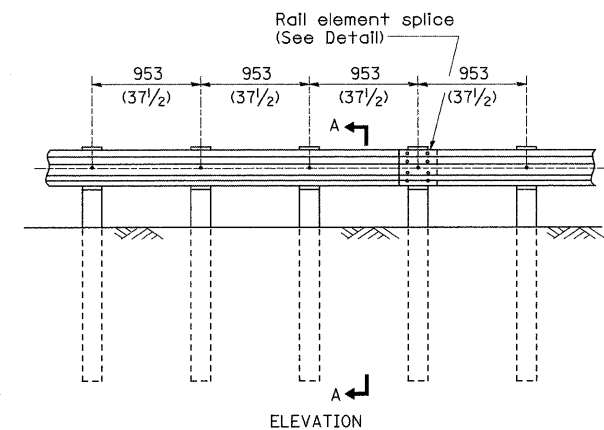


TYPE A

1.905 m (6'-3") Typical post spacing

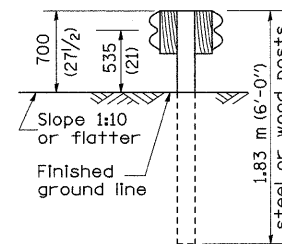


SECTION A-A

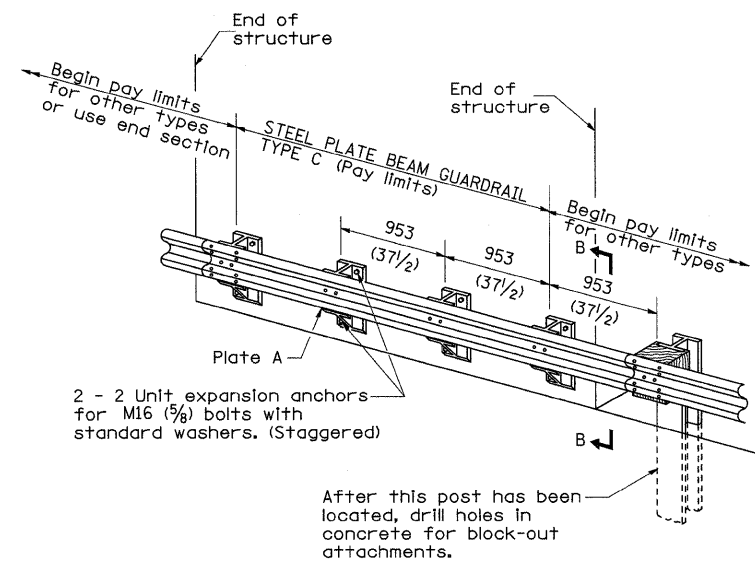


TYPE B

953 (37 1/2) Closed post spacing

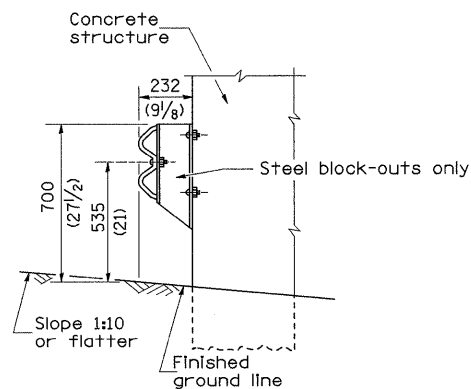


SECTION C-C

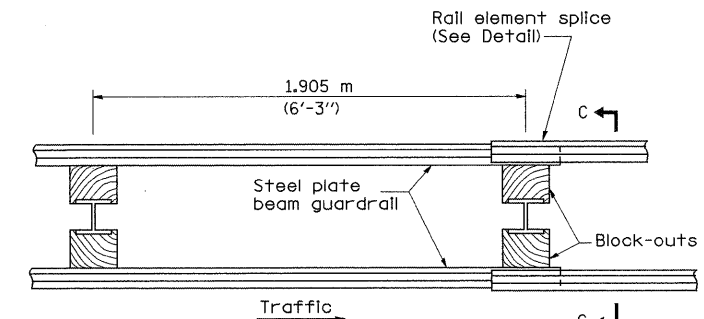


TYPE C

953 (37 1/2) Block-out spacing



SECTION B-B



PLAN

TYPE D

Double steel plate beam guardrail
1.905 m (6'-3") typical post spacing

GENERAL NOTES

All slope ratios are expressed as units of vertical displacement to units of horizontal displacement (V:H).

All dimensions are in millimeters (Inches) unless otherwise shown.

The existing steel posts may be drilled to match the bolt pattern shown herein for the wood block-out, or a new steel post shall be provided.

This detail is applicable to the guardrail system used prior to January 1, 2007. For details on the Midwest Guardrail System, see Standard 630001.

FILE NAME =	USER NAME = dossed	DESIGNED -	REVISED - 1-15-08	STATE OF ILLINOIS DEPARTMENT OF TRANSPORTATION	REGION 2 / DISTRICT 2 STANDARD			F.A.I. RTE.	SECTION	COUNTY	TOTAL SHEETS	SHEET NO.
c:\pwork\VPWIDOT\DOSSDD\0149531\0205609-sht-cover.dgn	PLOT SCALE = 50.0000' / IN.	DRAWN -	REVISED -					39	(103-1, 103-2)RS	LEE	313	258
PLOT DATE = Fri Mar 26 07:26:54 2010	DATE -	CHECKED -	REVISED -					SCALE: SHEET NO. OF SHEETS STA. TO STA.			CONTRACT NO. 64E97	
		DATE -	REVISED -					FED. ROAD DIST. NO. ILLINOIS FED. AID PROJECT				