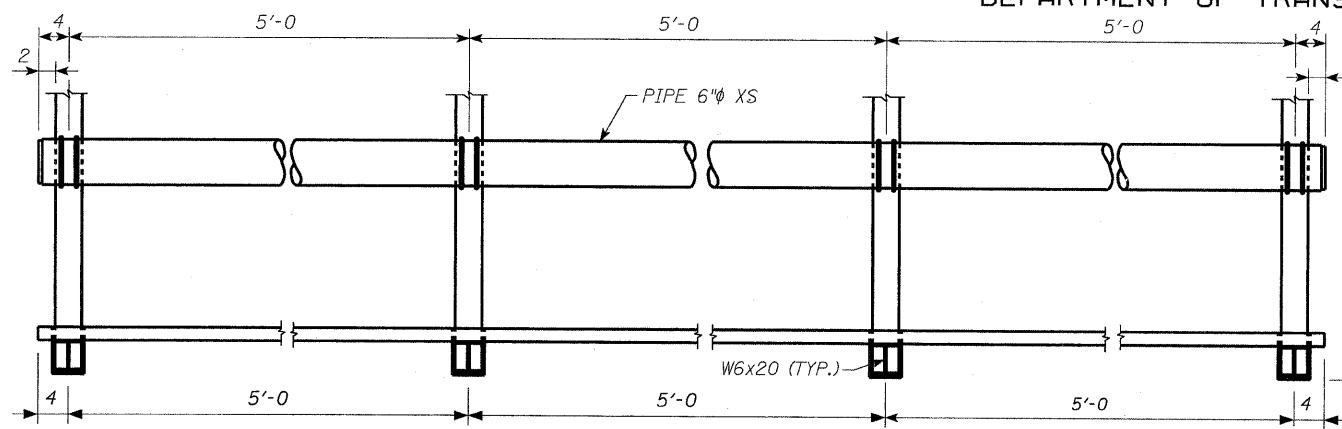
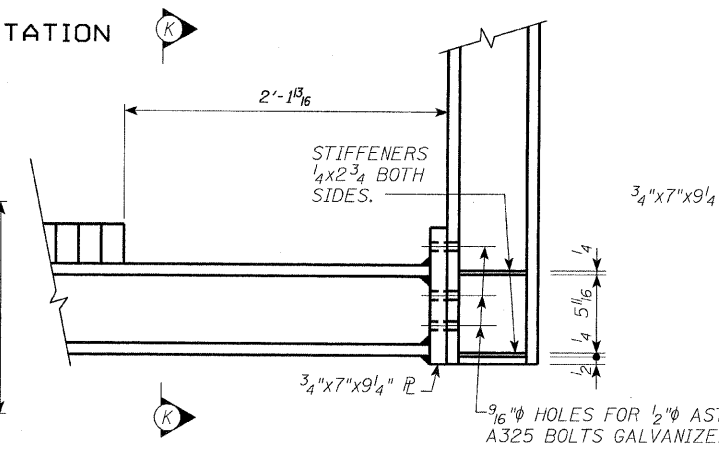


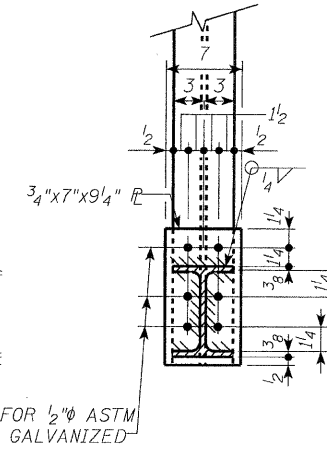
STATE OF ILLINOIS  
DEPARTMENT OF TRANSPORTATION



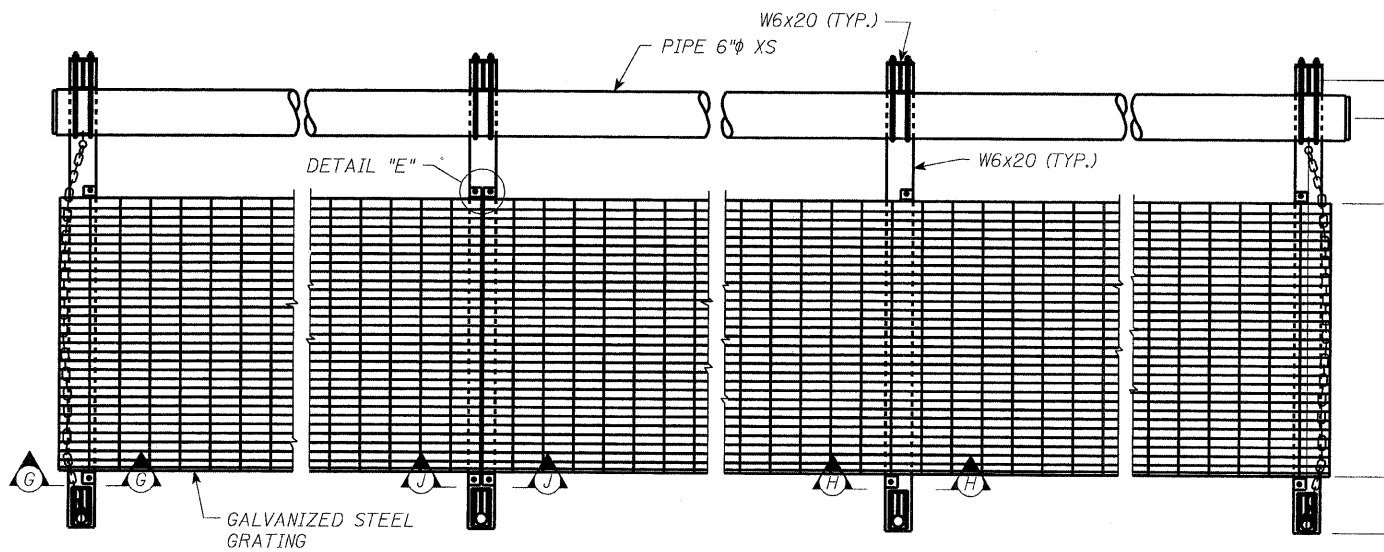
PART ELEVATION (HANDRAIL NOT SHOWN)



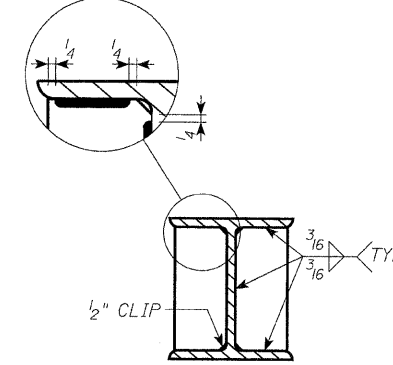
DETAIL "F"



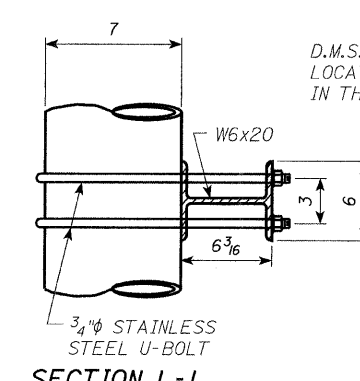
SECTION K-K



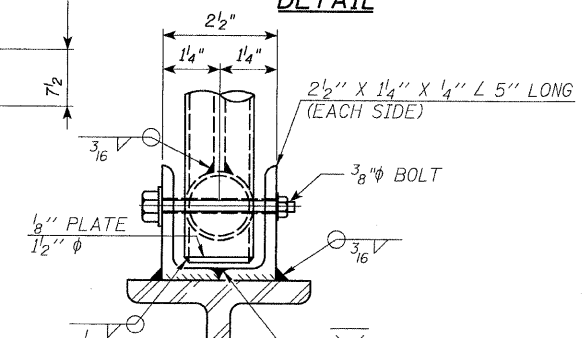
PART PLAN



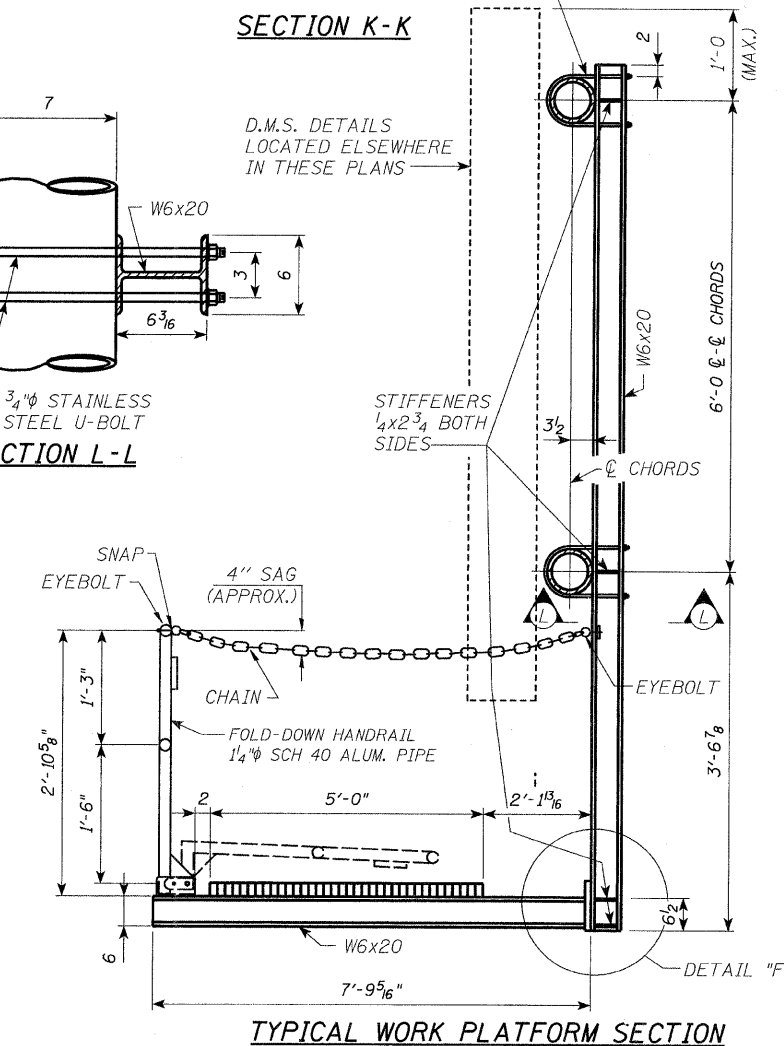
TYPICAL STIFFENER DETAIL



SECTION L-L



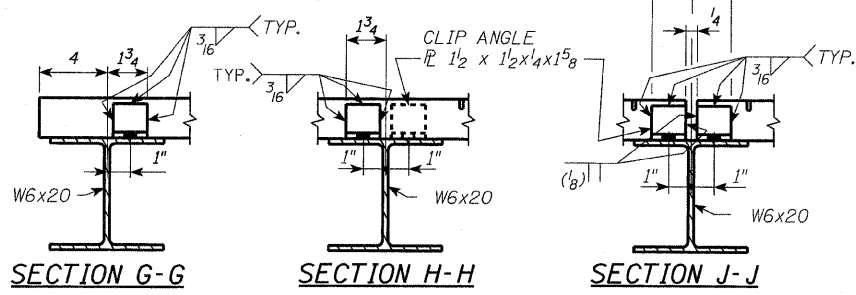
HANDRAIL HINGE DETAIL



TYPICAL WORK PLATFORM SECTION



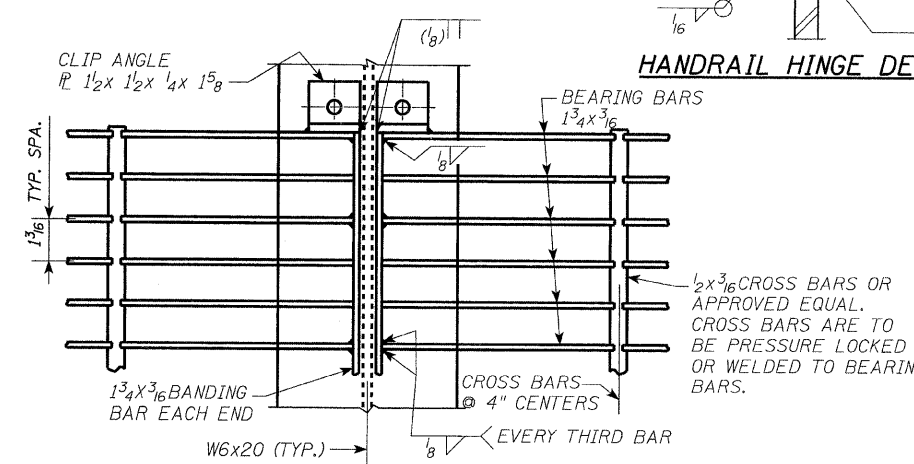
Mehmet B. Civelek  
4-6-2010



SECTION G-G

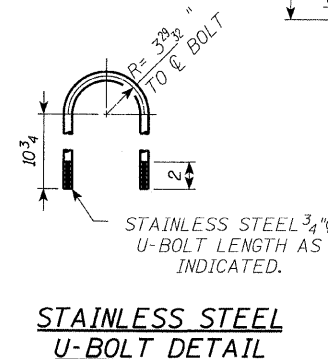
SECTION H-H

SECTION J-J



DETAIL "E"

- NOTES:
- 7/16 inch hole in clip angle and 7/16 inch hole in W6x20 for 3/8 inch stainless steel bolt. Adjust clip so grating bears on beam.
  - Handrail shall be ASTM B241 or B249, Alloy 6063-T6 or Alloy 6061-T6.



STAINLESS STEEL U-BOLT DETAIL

STEEL ROADSIDE D.M.S.  
SUPPORT  
WORK PLATFORM DETAILS

REVISED  
5-26-10  
SHEET

DESIGNED	MBC	200
CHECKED	KLK	EXAMINED
DRAWN	FJD	PASSED
CHECKED	KLK	ENGINEER OF BRIDGES AND STRUCTURES

SHEET NO.	18
SHEETS	23

F.A. RTE.	SECTION	COUNTY	TOTAL SHEETS	SHEET NO.
74+280	D2.IT MESSAGE SIGN	ROCK ISLAND	-	18
CONTRACT NO. 64F86				
ILLINOIS FED. AID PROJECT C-92-061-10				