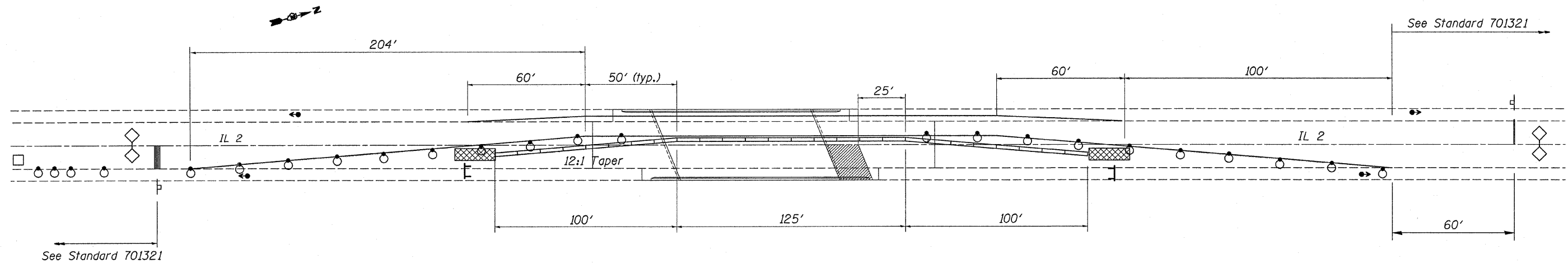


TRAFFIC CONTROL PLAN

Structure 071-0072 STAGE I

Refer to Standard 701321 for additional signs, details & devices



Temporary Pavement Marking Line 4"

Stage I	Feet
East edgeline	
South Taper	204
Bridge Tangent	225
North Taper	160
West edgeline	
North Taper	60
Bridge Tangent	225
South Taper	60
Stage II	
East edgeline	
North Taper	60
Bridge Tangent	225
South Taper	60
West edgeline	
North Taper	160
Bridge Tangent	225
South Taper	204
Total	1868 Feet

Temporary Pavement Marking Line 24"

Stop Bars	Feet
IL 2 NB	12
IL 2 SB	12
Total	24 Feet

Temporary Concrete Barrier

Stage I	Feet
North Taper	100
Bridge Tangent	125
South Taper	100
Total	325 Feet

Pavement Marking Removal

	Feet
Stage I	345
Stage II	345
∅	100
Total	790 Feet

Temporary Impact Attenuator

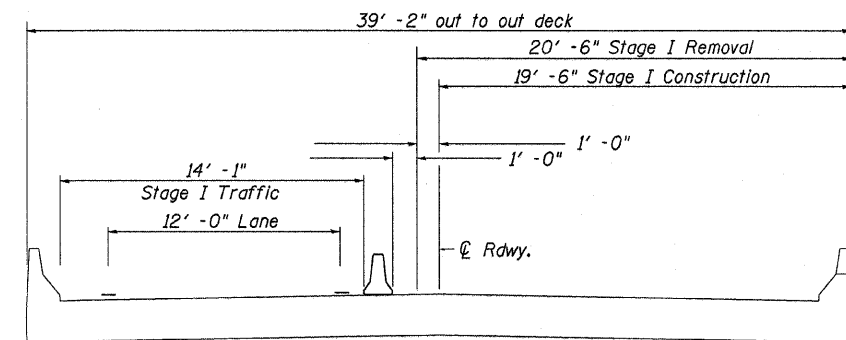
Stage I	Each
North	1
South	1
Total	2 Each

Temporary Bridge Traffic Signals

	Each
Stage I & II	1
Total	1 Each

Temporary Rumble Strips

Stage I & II	Each
North	3
South	3
Total	6 Each



CROSS SECTION
Looking North

* FAP 17 (IL 64) & FAP 742 (IL 2)

FILE NAME =	USER NAME = jrnkdj	DESIGNED -	REVISD -	STATE OF ILLINOIS DEPARTMENT OF TRANSPORTATION	TRAFFIC CONTROL PLAN STRUCTURE 071-0072 STAGE I	F.A. RTE.:	SECTION	COUNTY	TOTAL SHEETS	SHEET NO.
D:\BRY\CADD plans\Various Counties\64G13	approach_pavements\PLANeng.dgn	DRAWN -	REVISD -			102BRM & 139BRM	OGLE	49	6	
PLDT SCALE = 50.0000' / IN.	CHECKED -	REVISD -	CONTRACT NO. 64G13							
PLDT DATE = Tue Mar 16 08:27:00 2010	DATE -	REVISD -	ILLINOIS FED. AID PROJECT							
SCALE: _____ SHEET NO. _____ OF _____ SHEETS STA. _____ TO STA. _____										