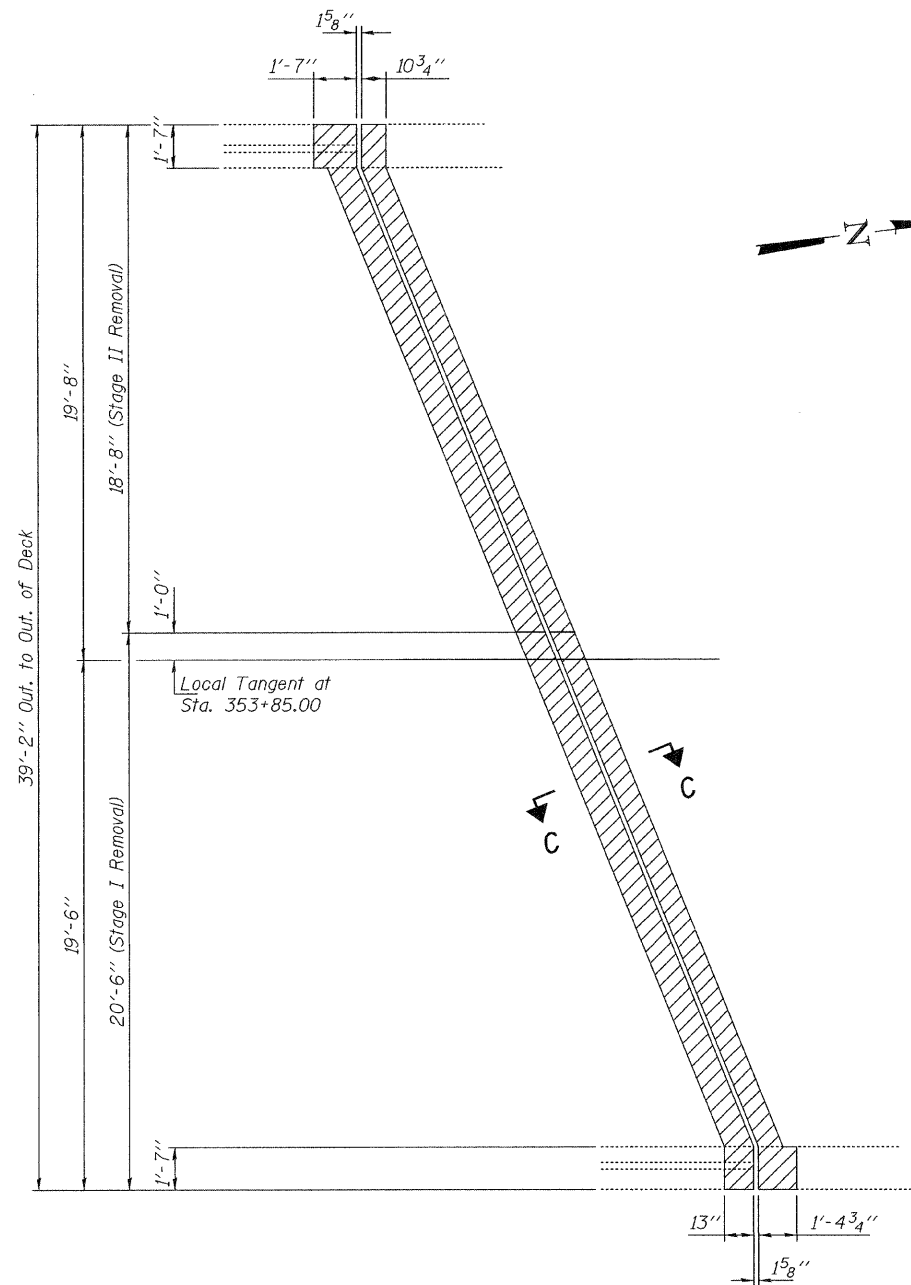
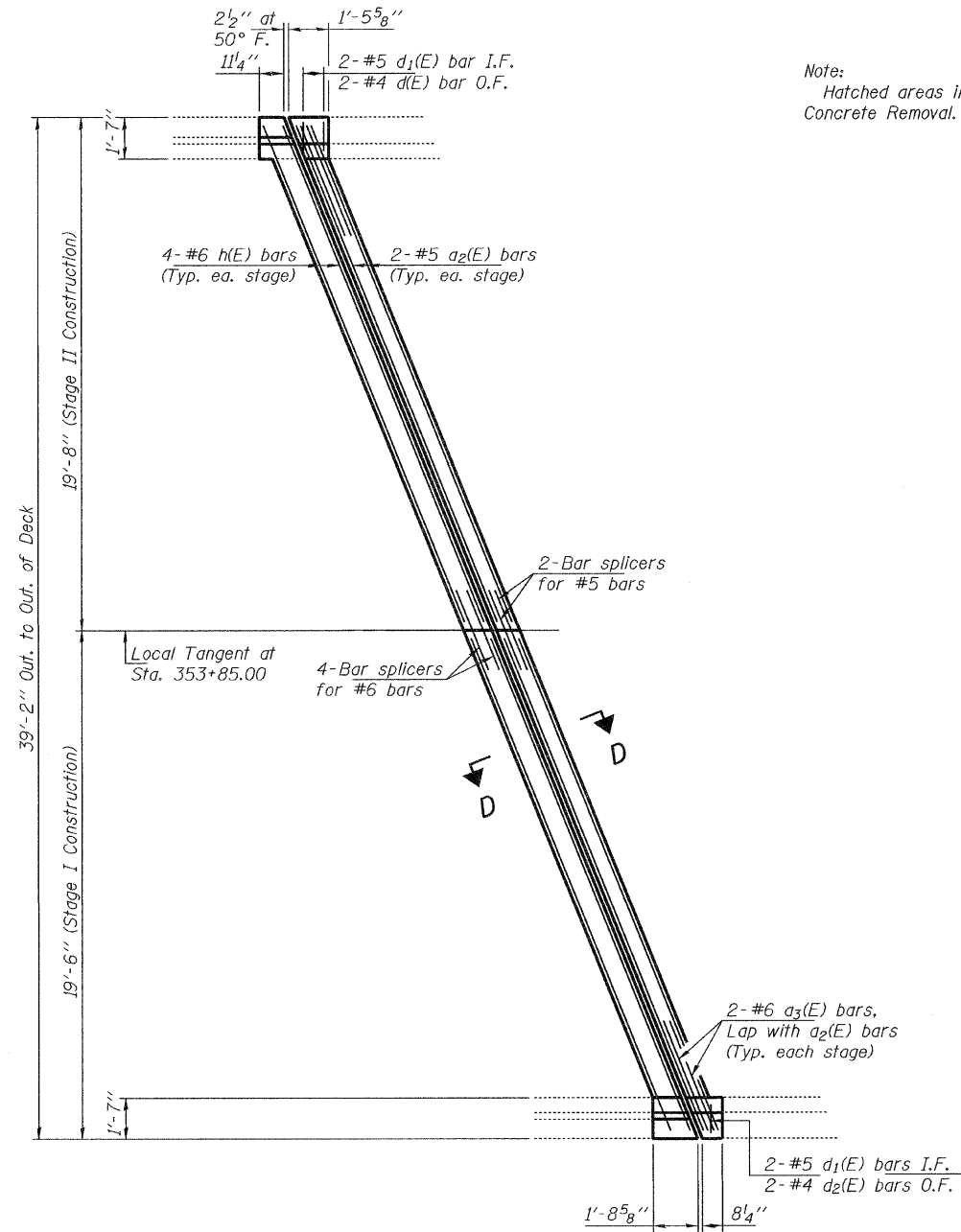


STATE OF ILLINOIS  
DEPARTMENT OF TRANSPORTATION

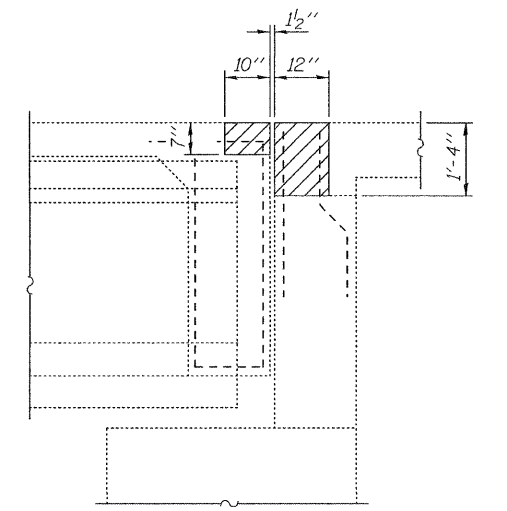


CONCRETE REMOVAL PLAN

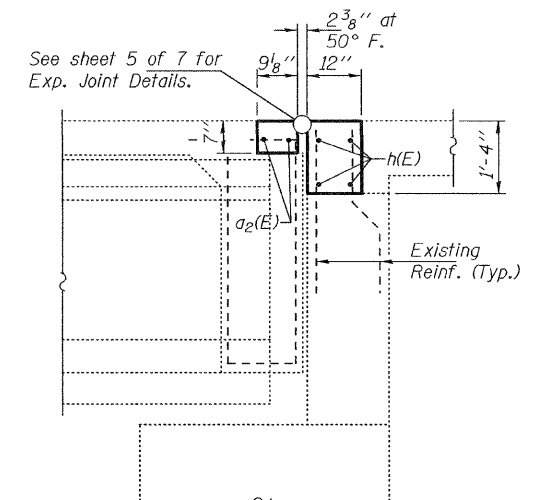


CONCRETE REPLACEMENT PLAN

Note:  
Hatched areas indicate  
Concrete Removal.



SECTION C-C  
Dims. at Rt. L



SECTION D-D  
Dims. at Rt. L

DESIGNED	IJL
CHECKED	GGE
DRAWN	Kyle M. Steffen
CHECKED	IJL GGE

APRIL 30, 2010  
EXAMINED *Carl P. ...*  
PASSED *Ralph E. Anderson*  
ENGINEER OF STRUCTURAL SERVICES  
ENGINEER OF BRIDGES AND STRUCTURES

SOUTH ABUTMENT  
REPAIR DETAILS  
SN 071-0072

SHEET NO. 4 7 SHEETS	F.A.P. RTE.	SECTION	COUNTY	TOTAL SHEETS	SHEET NO.
	742	(102BR)M & (39BR)M	OGLE	19	15
FED. ROAD DIST. NO.			ILLINOIS FED. AID PROJECT		
CONTRACT NO. 64G13					