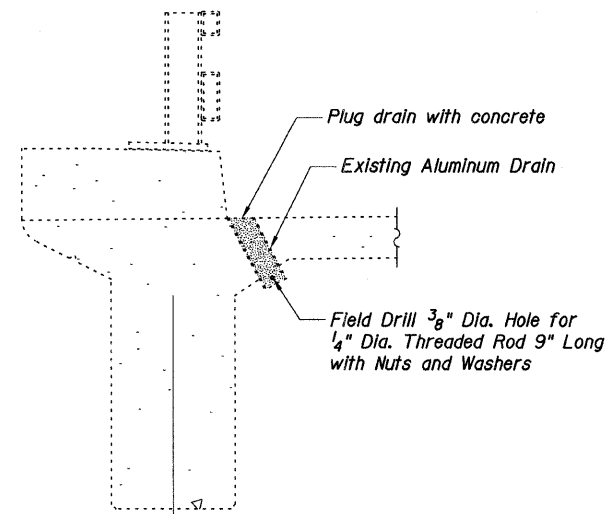
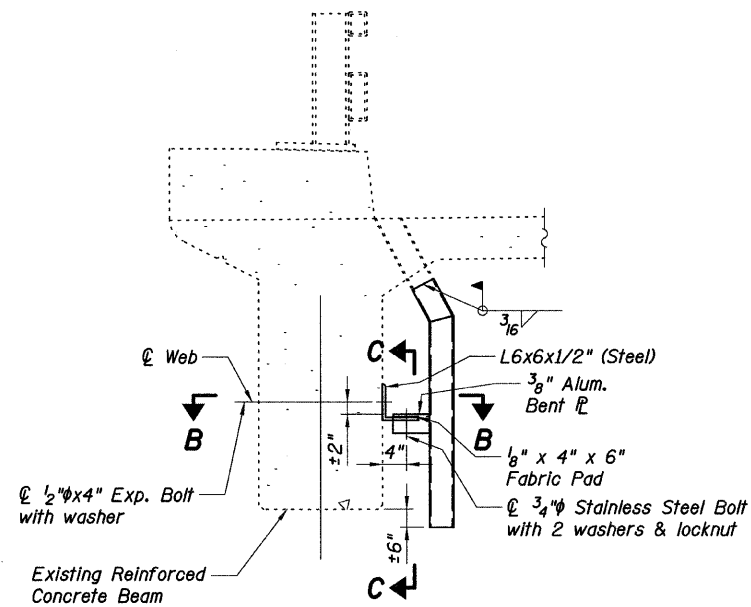


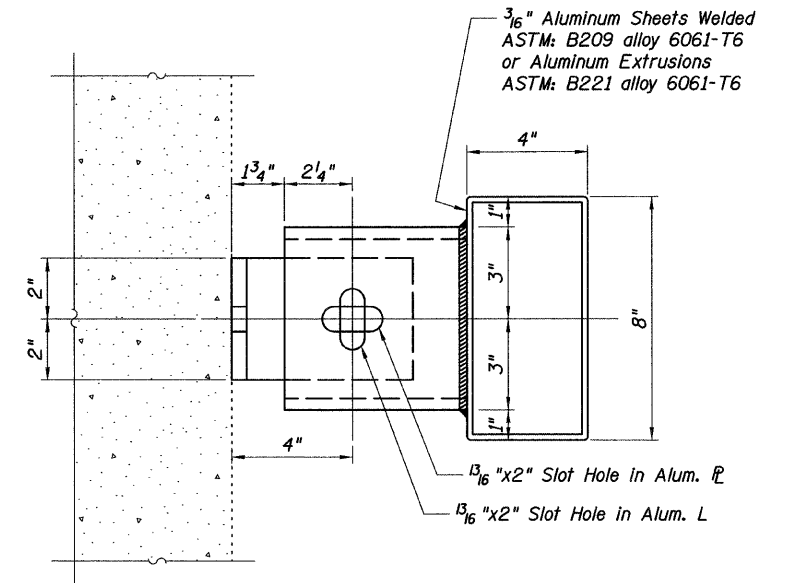
STATE OF ILLINOIS  
DEPARTMENT OF TRANSPORTATION



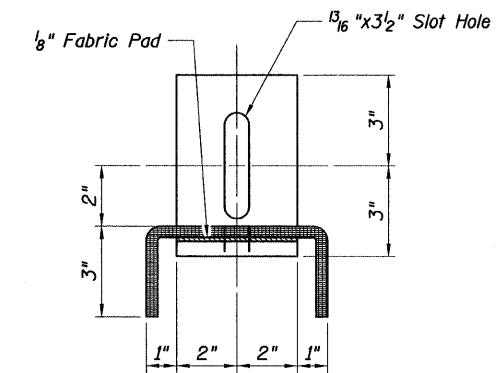
**DRAIN ELIMINATION DETAIL**



**DRAIN EXTENSION DETAIL**



**SECTION B-B**



**SECTION C-C**

**Notes:**

1. Contractor to locate reinforcement bars in existing reinforced concrete beam prior to drilling holes for expansion anchors. Do not cut existing reinforcement bars.
2. Expansion bolts, bolts, nuts, washers, fabric pad, angles & plates included in the cost of "Floor Drain Extension"
3. Threaded rods, nuts, washers, & plug concrete included in the cost of "Plug Existing Deck Drains"

**DRAIN MODIFICATION DETAILS**  
**STEGER ROAD OVER I-57**  
**F.A.I. RTE. 57 - SEC. (46-1,2)RS-3&I**  
**KANKAKEE COUNTY**  
**STA. 815+16.50**  
**S.N. 046-0083**

SHEET NO. S14	F.A.I. RTE.	SECTION	COUNTY	TOTAL SHEETS	SHEET NO.
S27 SHEETS	57	(46-1,2)RS-3&I	KANKAKEE	115	39
			CONTRACT NO. 66608		
FED. ROAD DIST. NO. 7 ILLINOIS FED. AID PROJECT					

**Baker**

P:\18772\_well\3.0 deliverables\3.3 structure\drawings\Final\b6 0083dr.dwg 4/7/2010

DESIGNED:	GWG
CHECKED:	KPZ
DRAWN:	MAW
CHECKED:	KPZ