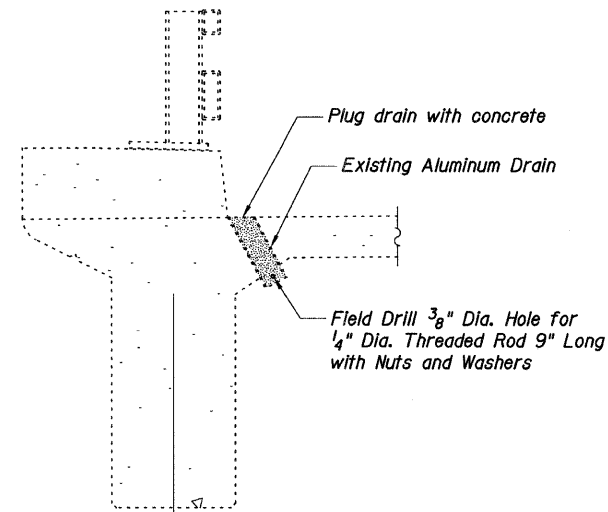
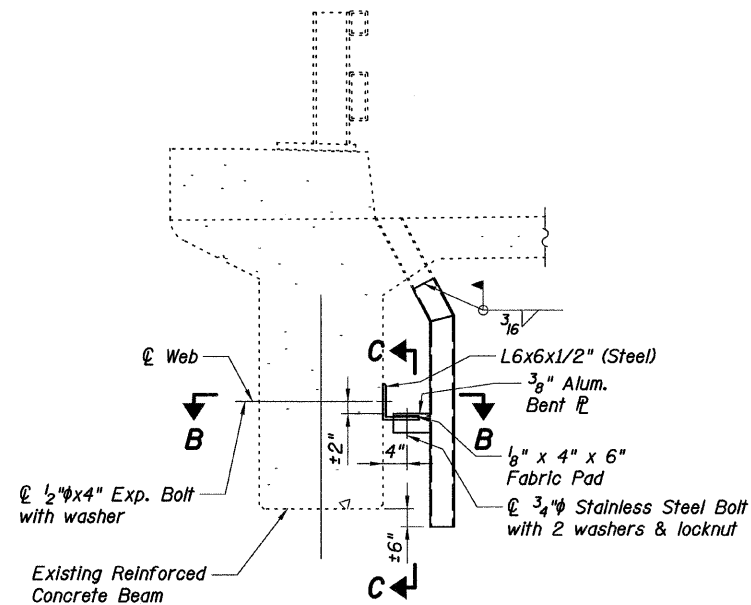


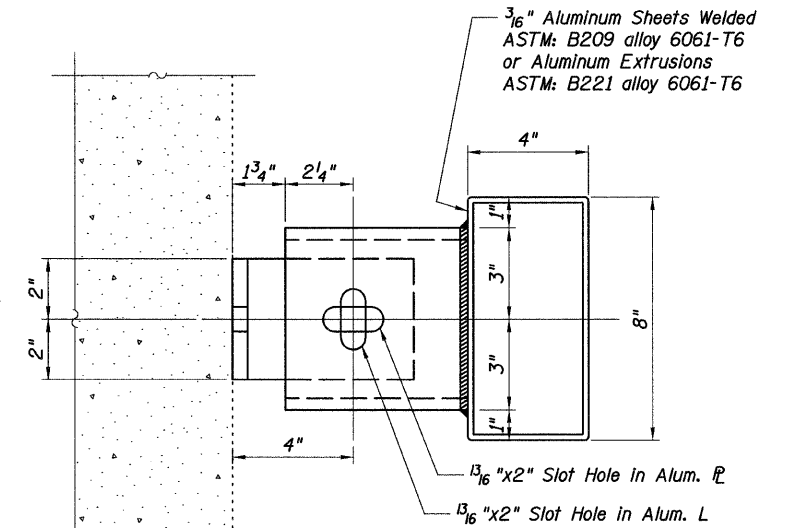
STATE OF ILLINOIS
DEPARTMENT OF TRANSPORTATION



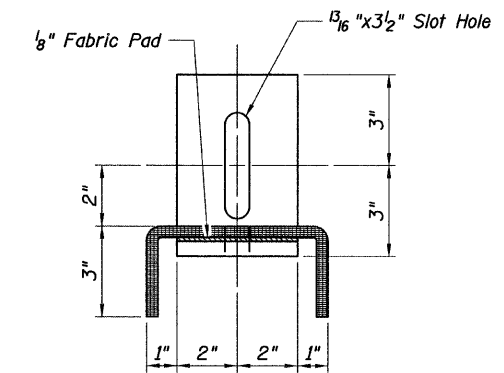
DRAIN ELIMINATION DETAIL



DRAIN EXTENSION DETAIL



SECTION B-B



SECTION C-C

Notes:

1. Contractor to locate reinforcement bars in existing reinforced concrete beam prior to drilling holes for expansion anchors. Do not cut existing reinforcement bars.
2. Expansion bolts, bolts, nuts, washers, fabric pad, angles & plates included in the cost of "Floor Drain Extension"
3. Threaded rods, nuts, washers, & plug concrete included in the cost of "Plug Existing Deck Drains"

DRAIN MODIFICATION DETAILS
LAKE MANTENO RD. OVER I-57
F.A.I. RTE. 57 - SEC. (46-1,2)RS-3&I
KANKAKEE COUNTY
STA. 697+99.50
S.N. 046-0084

SHEET NO. S21	F.A.I. RTE.	SECTION	COUNTY	TOTAL SHEETS	SHEET NO.
S27 SHEETS	57	(46-1,2)RS-3&I	KANKAKEE	115	46
			CONTRACT NO. 66608		
FED. ROAD DIST. NO. 7 ILLINOIS FED. AID PROJECT					

Baker

h:\1872_wol\3.0 deliverables\3.3 structure drawings\final\c6 0084dr.dwg
4/7/2010

DESIGNED:	GWG
CHECKED:	KPZ
DRAWN:	MAW
CHECKED:	KPZ