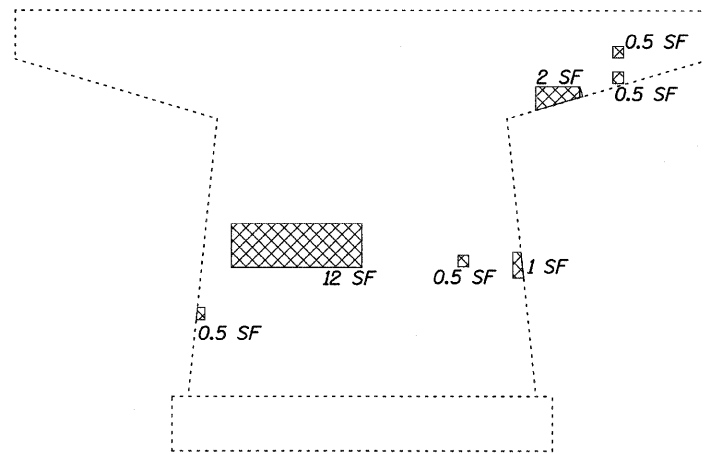
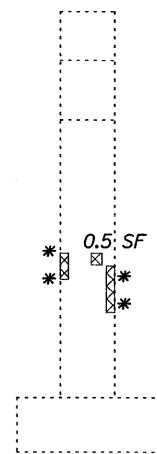


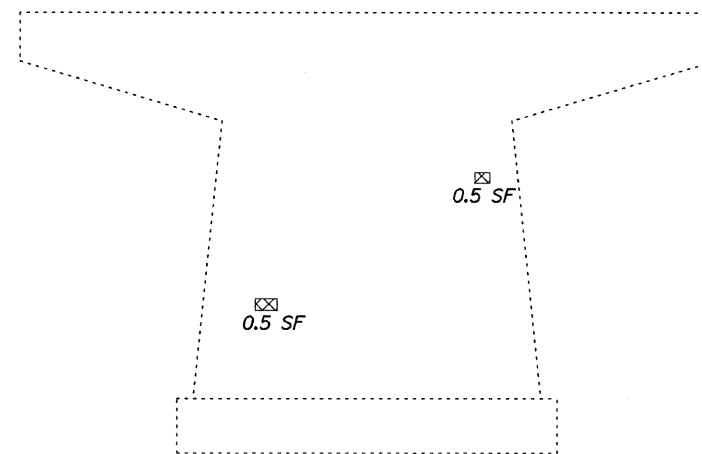
STATE OF ILLINOIS  
DEPARTMENT OF TRANSPORTATION



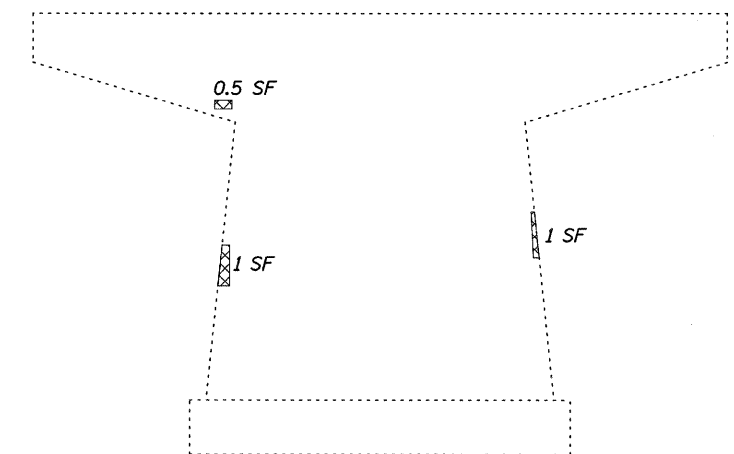
**PIER 1 - EAST FACE**



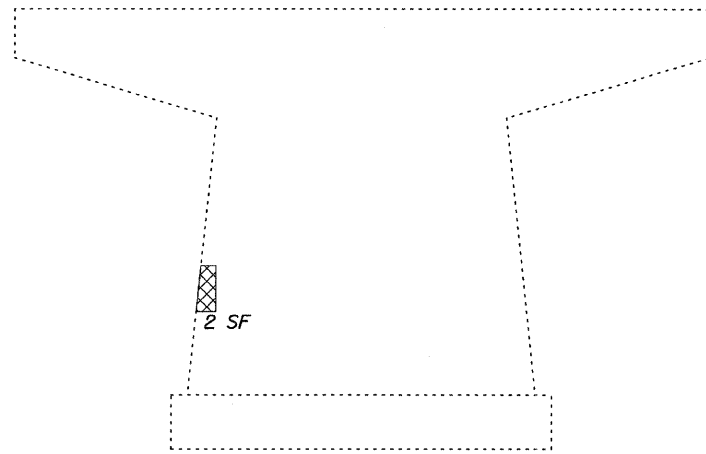
**PIER 1 - NORTH FACE**



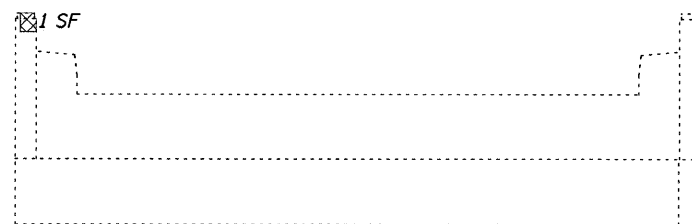
**PIER 2 - WEST FACE**



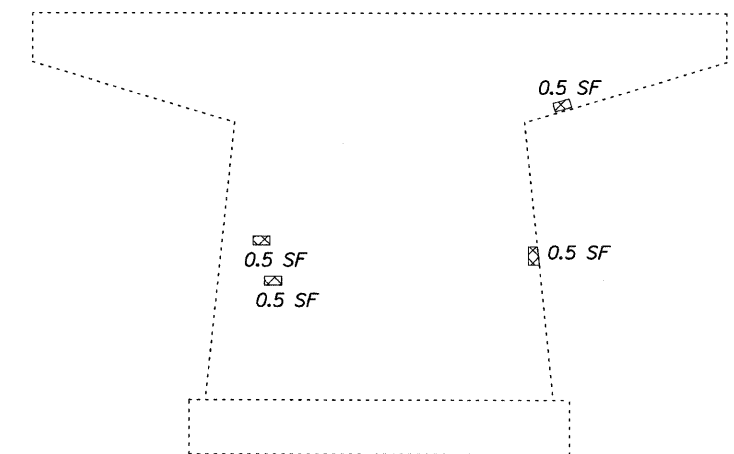
**PIER 3 - EAST FACE**



**PIER 1 - WEST FACE**



**EAST ABUTMENT**



**PIER 3 - WEST FACE**

**LEGEND**



Structural Repair of Concrete (Depth Equal to or Less Than 5")

\* Denotes that quantity is accounted for on adjacent face

**SUBSTRUCTURE REPAIR PLAN**  
**LAKE MANTENO RD. OVER I-57**  
**F.A.I. RTE. 57 - SEC. (46-1,2)RS-3&I**  
**KANKAKEE COUNTY**  
**STA. 697+99.50**  
**S.N. 046-0084**

DESIGNED:	GWG
CHECKED:	KPZ
DRAWN:	MAM
CHECKED:	KPZ

**Baker**

SHEET NO. S22	F.A.I. RTE.	SECTION	COUNTY	TOTAL SHEETS	SHEET NO.
S27 SHEETS	57	(46-1,2)RS-3&I	KANKAKEE	115	47
			CONTRACT NO. 66608		
FED. ROAD DIST. NO. 7 ILLINOIS FED. AID PROJECT					

h:\18772\work\3.0 deliverables\3.3 structure\drawings\final\07\_0084substr.dgn 4/7/2010