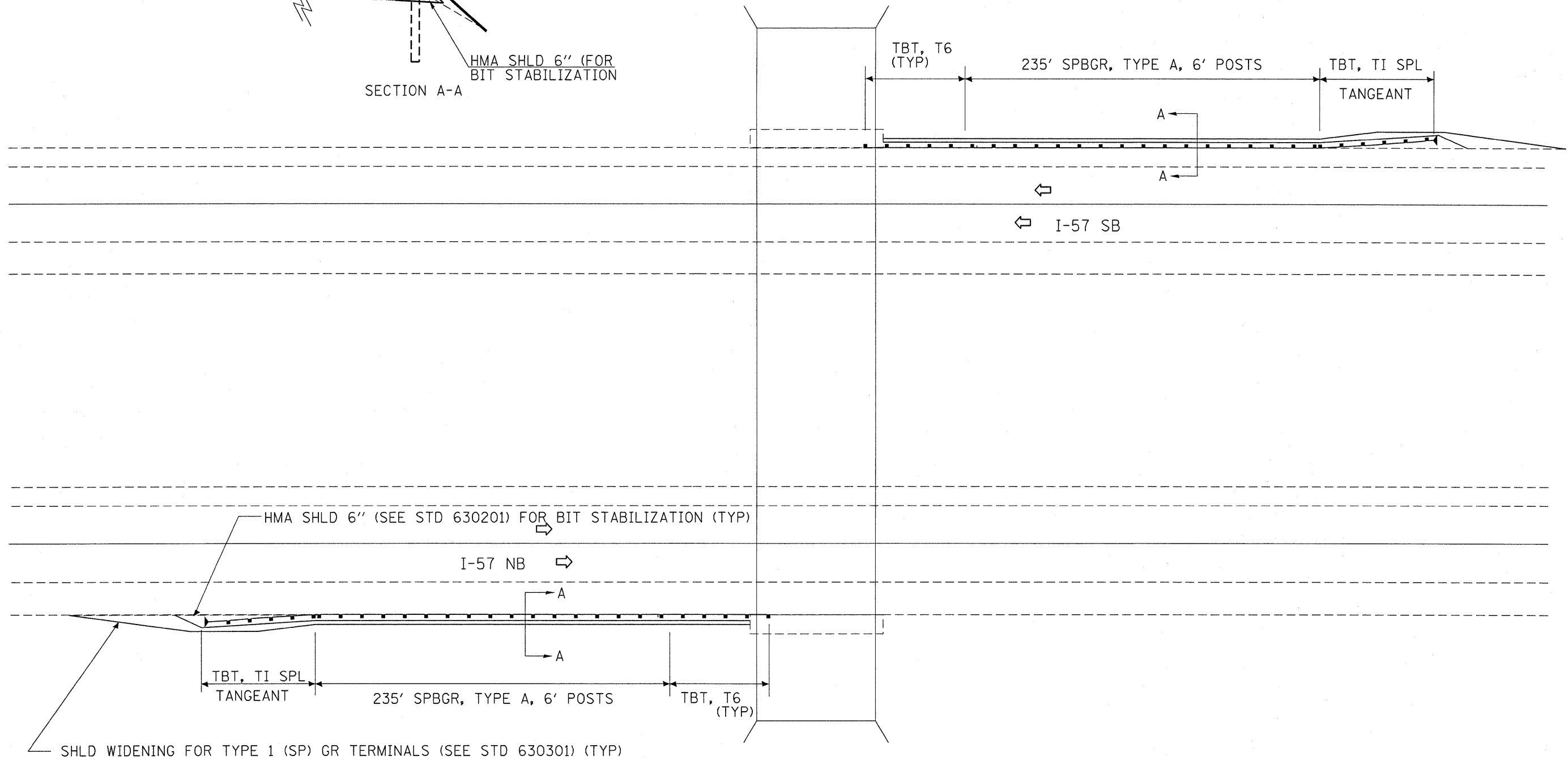
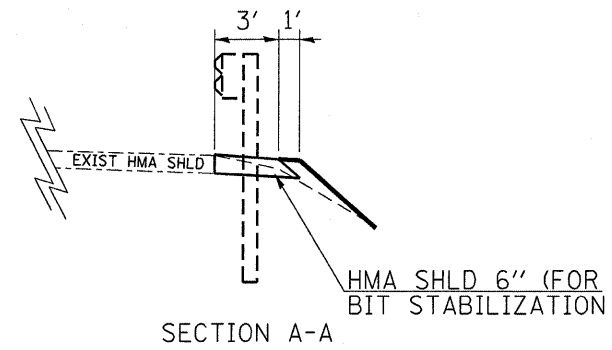


NOTE: NOT TO SCALE



TYPICAL GUARDRAIL TREATMENT AT STRUCTURES

FILE NAME =	USER NAME = braboypc	DESIGNED -	REVISED -	STATE OF ILLINOIS DEPARTMENT OF TRANSPORTATION	GUARDRAIL DETAILS	F.A.I. RTE.	SECTION	COUNTY	TOTAL SHEETS	SHEET NO.	
c:\pw_work\pwidot\braboypc\dms30564\dets	PLTSCALE = 1250.0000' / IN.	DRAWN -	REVISED -			57	(46-1.2)RS-3 & I	KANKAKEE	115	53	
PLT DATE = Mar 25, 2010 - 12:30:15 PM	DATE -	CHECKED -	REVISED -			CONTRACT NO. 66608					
						ILLINOIS FED. AID PROJECT					