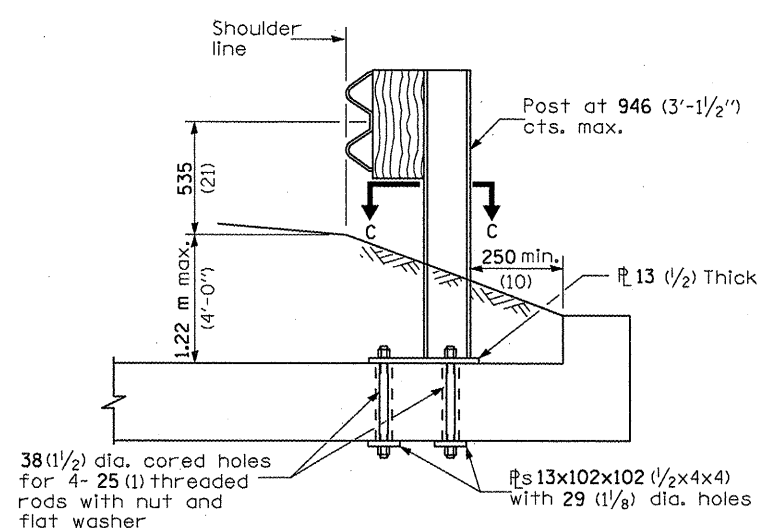
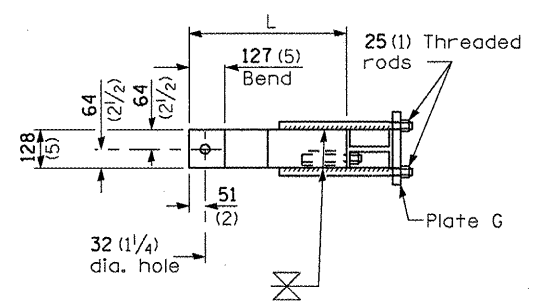


CROSS SECTION

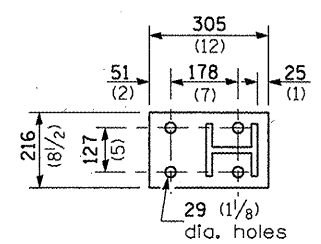
ELEVATION



CROSS SECTION



SECTION B-B



SECTION C-C

CASE III
MOUNTED ON HEADWALL
WITH CURVED OR DEMOLISHED TIP

CASE IV
MOUNTED ON SLAB

All dimensions are in millimeters (inches) unless otherwise shown.

FILE NAME =	USER NAME = schwankerg	DESIGNED -	REVISED -
at:\pwwork\pwwid\DOT\SCHWANKERG\0184951\0366A25-sht-details.dgn		DRAWN -	REVISED -
PLOT SCALE = 100.0000 "/ IN.		CHECKED -	REVISED -
PLOT DATE = Feb 17, 2010 - 03:52:23 PM		DATE -	REVISED -

STATE OF ILLINOIS
DEPARTMENT OF TRANSPORTATION

PRE-MGS EFFECTIVE 4-1-06
GUARDRAIL MOUNTED ON EXISTING CULVERTS
STANDARD 630101-06 (Sheet 2 of 2)

F.A. RTE.	SECTION	COUNTY	TOTAL SHEETS	SHEET NO.
VAR.	*	VAR.	36	21
CONTRACT NO. 66A25				
FED. ROAD DIST. NO.	ILLINOIS	FED. AID PROJECT		