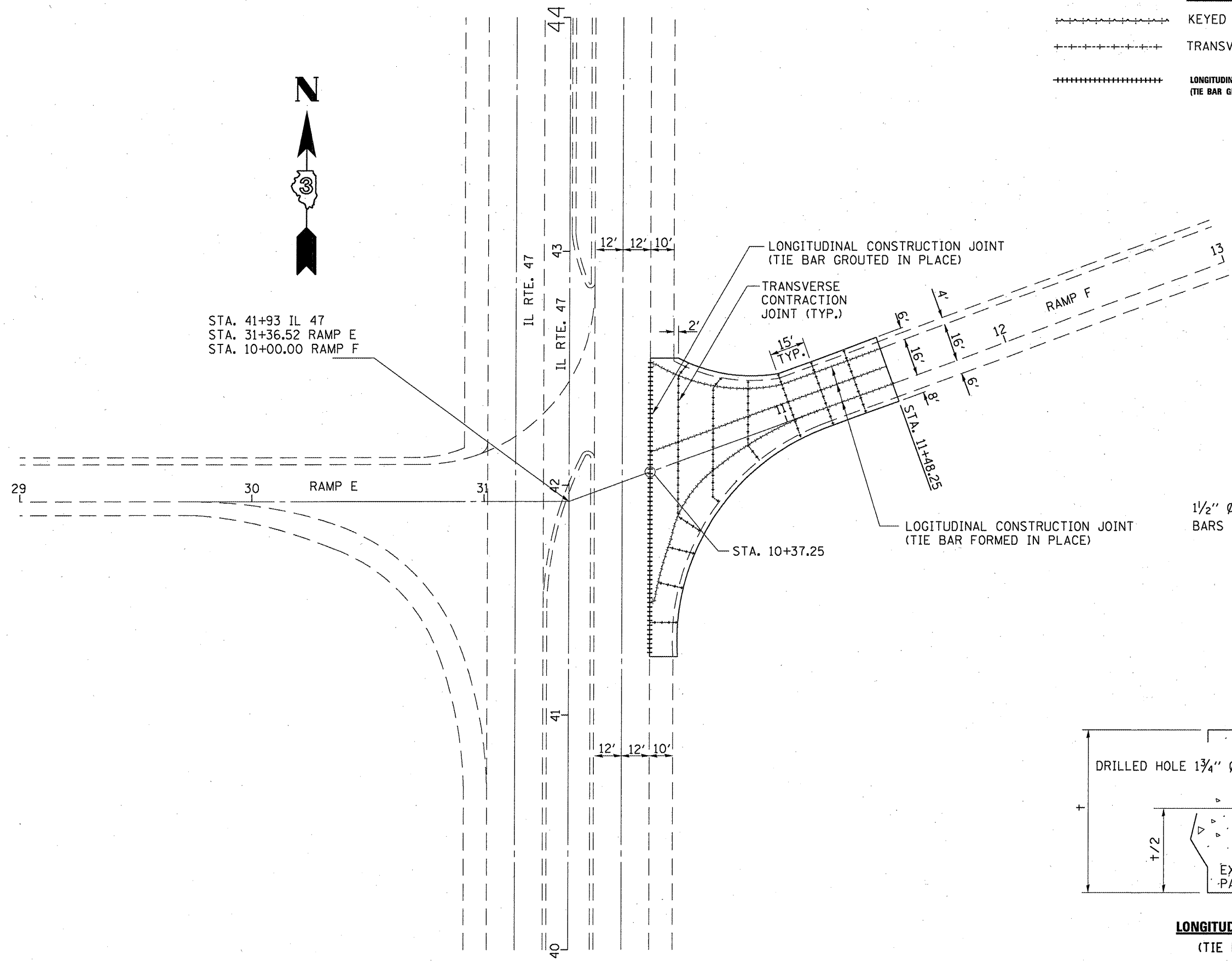




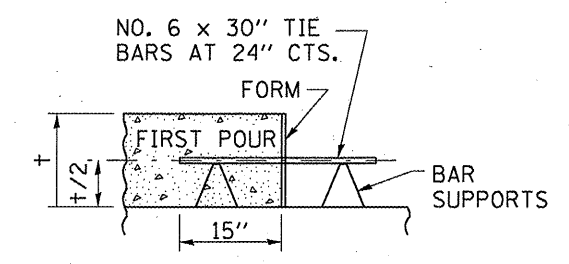
STA. 41+93 IL 47
 STA. 31+36.52 RAMP E
 STA. 10+00.00 RAMP F



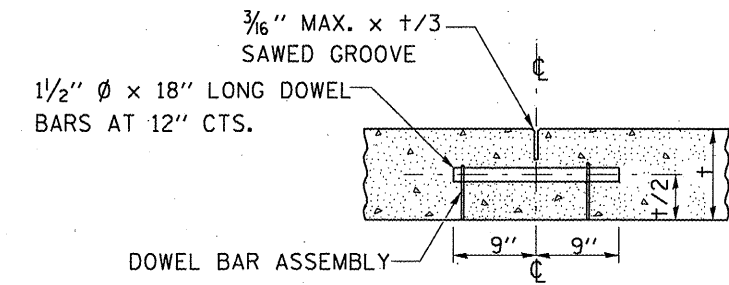
PLAN

LEGEND

- KEYED LONGITUDINAL JOINT WITH TIE BARS
- TRANSVERSE CONTRACTION JOINT
- LONGITUDINAL CONSTRUCTION JOINT (TIE BAR GROUDED IN PLACE)

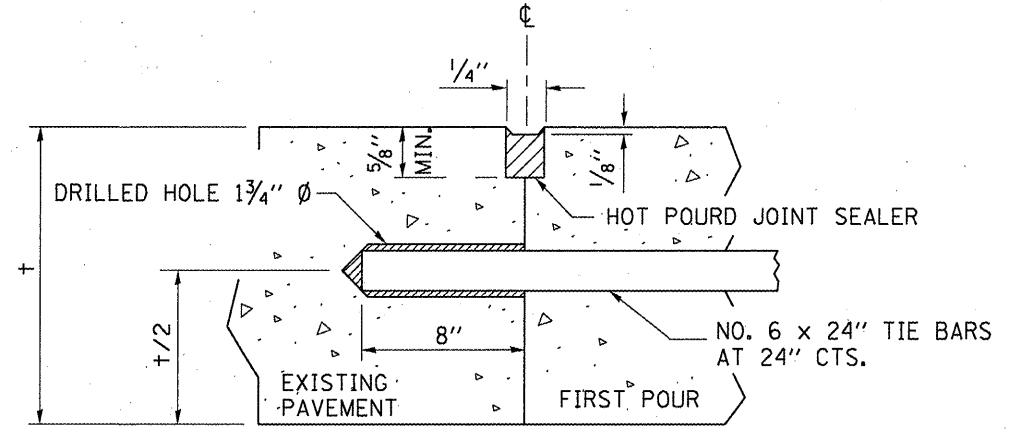


LONGITUDINAL CONSTRUCTION JOINT
 (TIE BAR FORMED IN PLACE)



DOWEL BAR ASSEMBLY

TRANSVERSE CONTRACTION JOINT



LONGITUDINAL CONSTRUCTION JOINT
 (TIE BAR GROUDED IN PLACE)

FILE NAME =	USER NAME = woodshankr1	DESIGNED - RON WOODSHANK	REVISED -	STATE OF ILLINOIS DEPARTMENT OF TRANSPORTATION	RAMP F RECONSTRUCTION DETAILS	RTE.	SECTION	COUNTY	TOTAL SHEETS	SHEET NO.
ct:\pw\work\PWIDOT\WOODSHANKRL\20180632	D366A39-details.dgn	DRAWN - RON WOODSHANK	REVISED -			**	D3 PATCHING 2011-6	GRUNDY	15	14
	PLOT SCALE = 100.0000' / IN.	CHECKED -	REVISED -			**	FAI 55 & FAP 326			CONTRACT NO. 66A39
	PLOT DATE = Mar 31, 2010 - 06:16:58 AM	DATE -	REVISED -					ILLINOIS		
					SCALE: _____	SHEET NO. 1 OF 1 SHEETS	STA. _____	TO STA. _____		