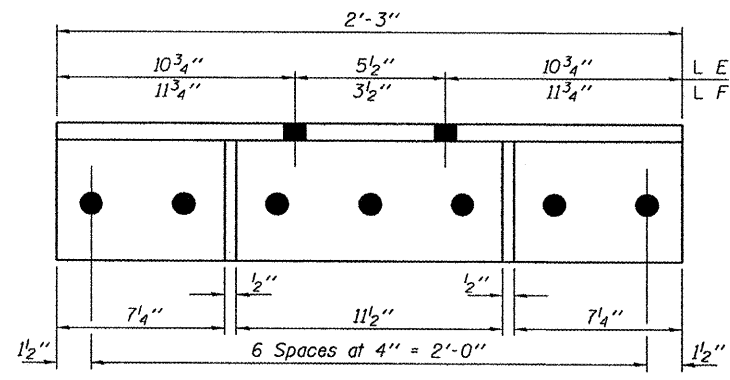
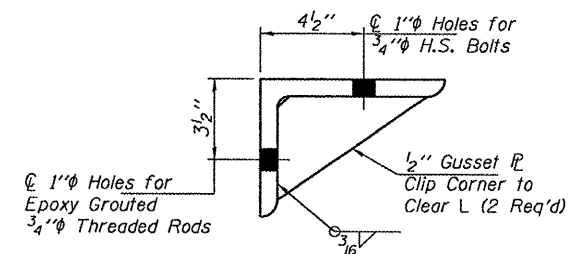
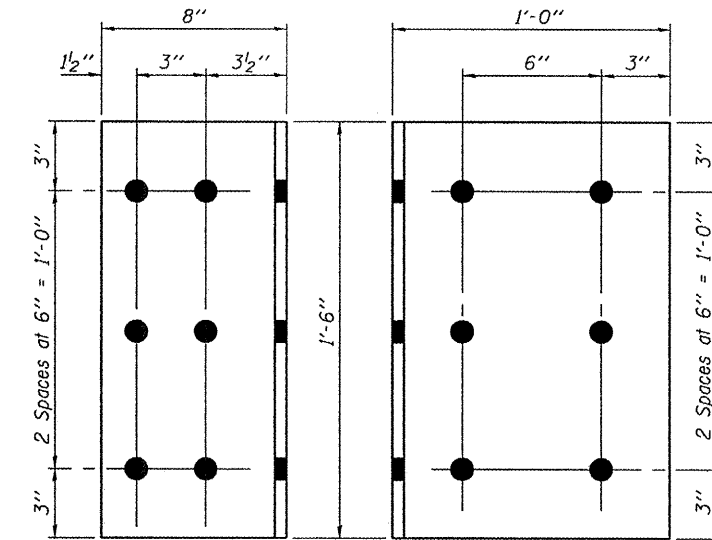
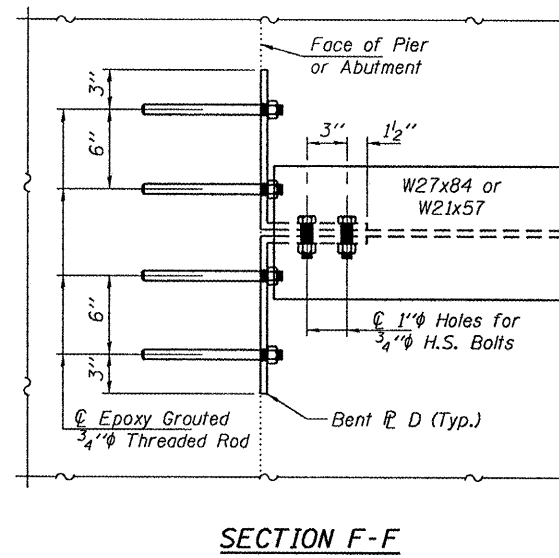
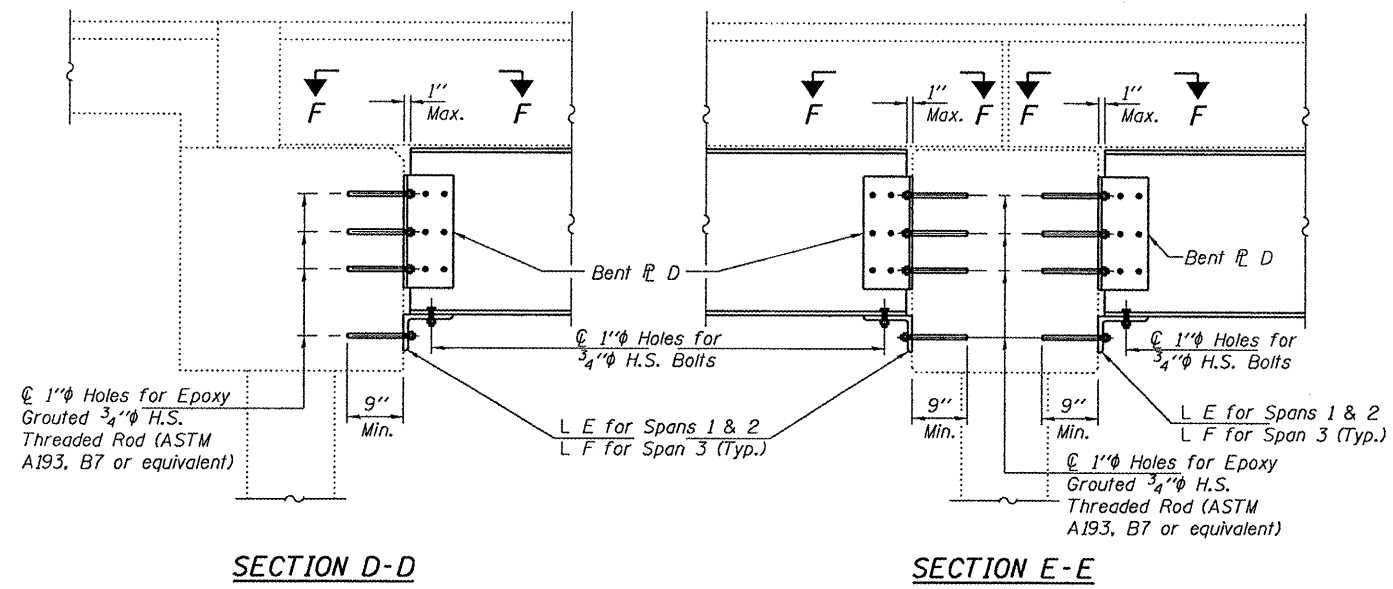
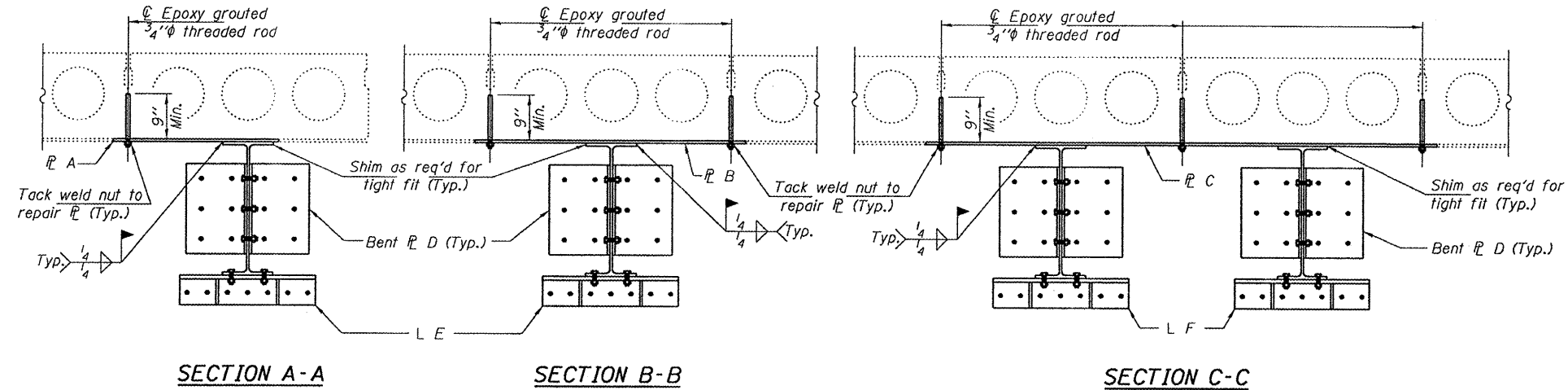


STATE OF ILLINOIS
DEPARTMENT OF TRANSPORTATION



DESIGNED	VHV
CHECKED	DAB
DRAWN	Kyle M. Steffen
CHECKED	VHV DAB

APRIL 19, 2010
 EXAMINED *Carl Perry*
 ENGINEER OF STRUCTURAL SERVICES
 PASSED *Ralph E. Anderson*
 ENGINEER OF BRIDGES AND STRUCTURES

REPAIR DETAILS
 F.A. RTE. 587 OVER PIKE CREEK
 SN 006-0147

SHEET NO. 2 2 SHEETS	F.A. RTE.	SECTION	COUNTY	TOTAL SHEETS	SHEET NO.
	587	(22-BR)I-1	BUREAU	6	6
			CONTRACT NO. 66A46		
FED. ROAD DIST. NO. ILLINOIS FED. AID PROJECT					