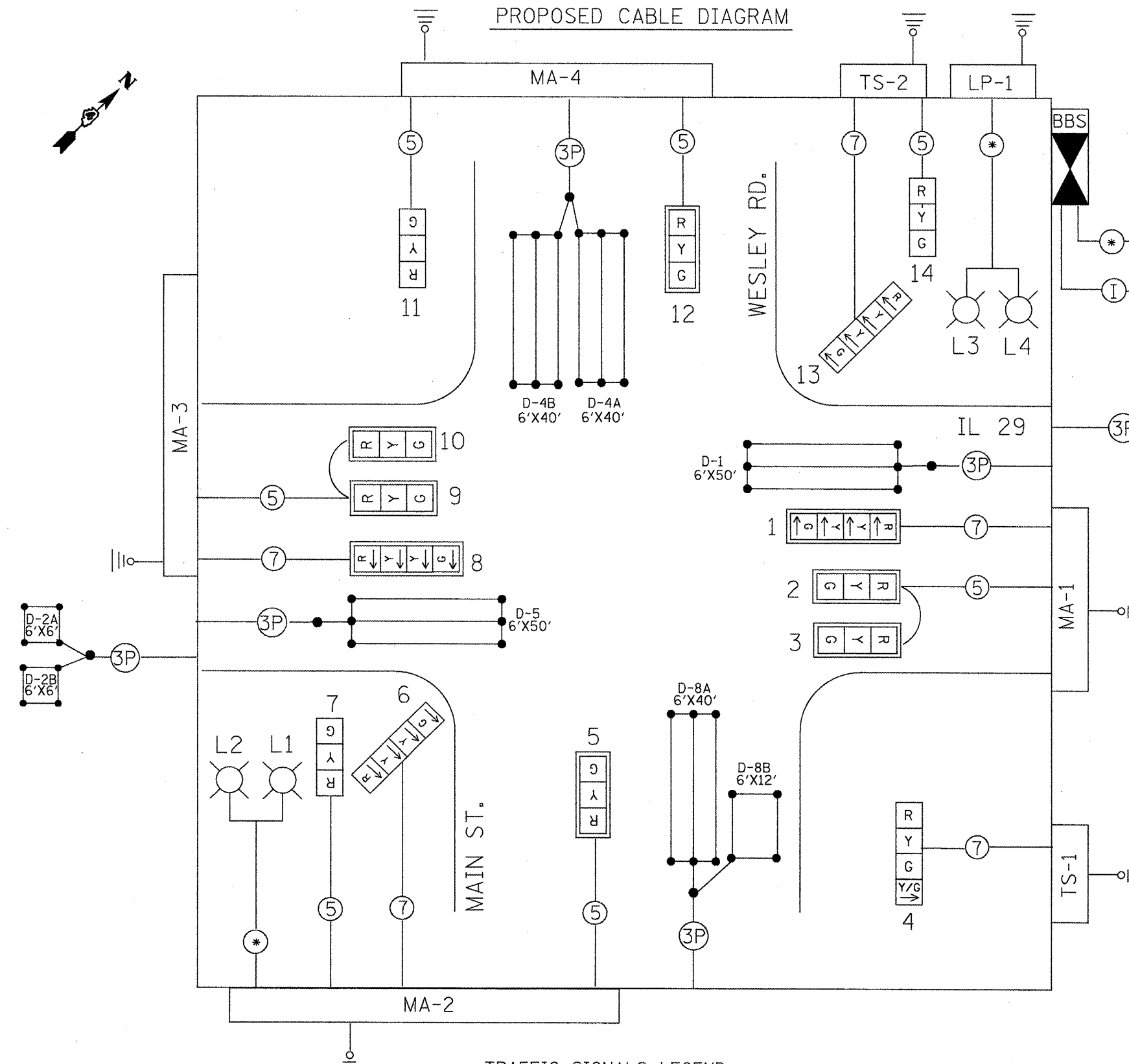
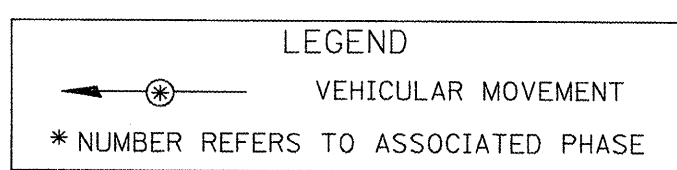
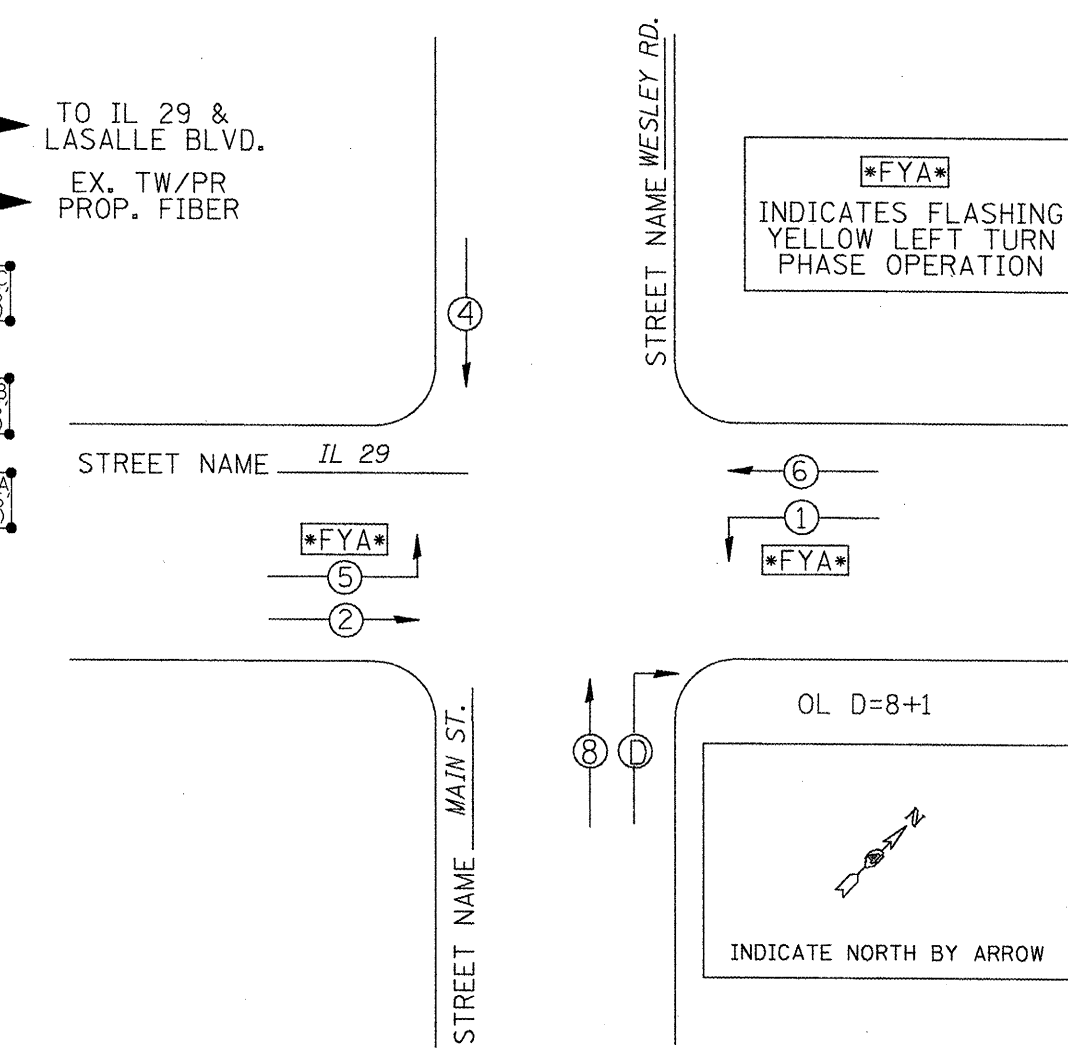


PROPOSED CABLE DIAGRAM



PROPOSED PHASE DIAGRAM

NAME OF INTERSECTION IL 29 & N. MAIN ST./WESLEY RD.  
 PROPOSED CONTROLLER: ECONOLITE ASC/3-2100  
 (TS-2), TYPE IV CABINET, TS-2 BACKPANEL (16 POSITION)



ALL TRAFFIC SIGNAL MAST ARMS, CONTROLLER CABINETS, HANDHOLES (LIDS AND FRAMES), AND EXPOSED METALLIC CONDUITS SHALL BE GROUNDED AND SAFETY BONDED IN ACCORDANCE WITH NEC REQUIREMENTS.

TRAFFIC SIGNALS LEGEND

- PROP. CONTROLLER
- PROP. SIGNAL HEAD W/BACKPLATE
- PROP. SIGNAL HEAD
- PROP. 5/C NO. 14 SIGNAL CABLE
- PROP. 7/C NO. 14 SIGNAL CABLE
- PROP. (1/C NO. 6) X 3
- PROP. SERVICE INSTALLATION
- PROP. DETECTOR LOOP (6'X6')
- PROP. DETECTOR LOOP (6'X50')

NOT TO SCALE  
 TRAFFIC SIGNALS  
 SHEET 7 OF 12