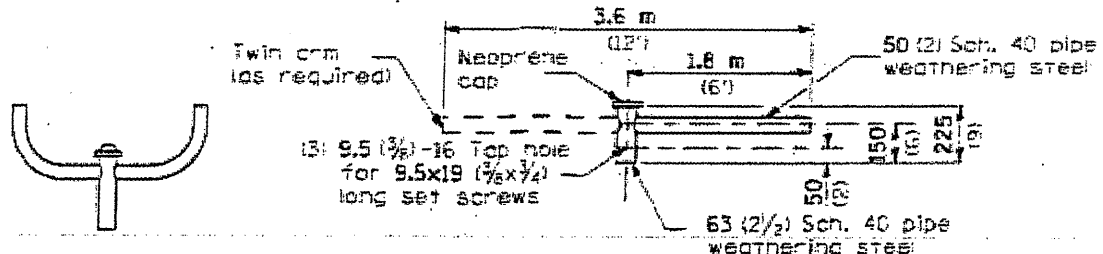


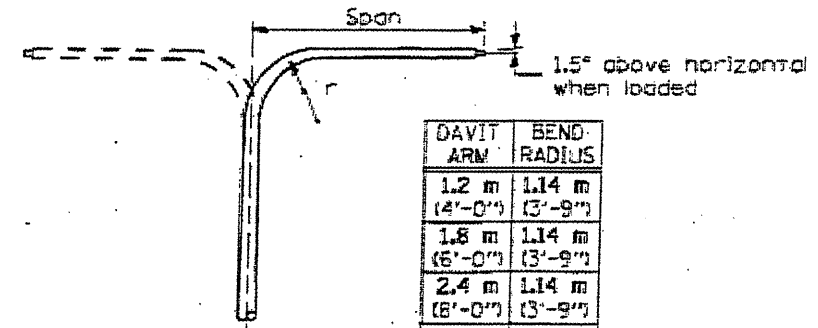
The contractor shall furnish and install a light pole identification of each new light pole, as shown above. Incidental to the respective light pole pay item. The numerals shall be 75 (3) series "D", black, screened on silver-white type B pressure sensitive reflective sheeting conforming to the requirements of section T602.01 of the Standard Specifications for Traffic Control Items. The numerals shall conform to the FHWA "Standard Alphabets for Highway Signs".

The light pole identification shall be applied to sign base material as specified in section 1069.05 of the Standard Specifications, approximately 180 (7) above the adjacent pavement grade visible to approaching traffic in accordance with Highway Standard 720001.



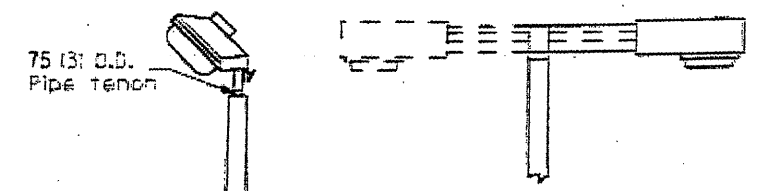
- TWIN TENON
- TENON MOUNT BRACKET ARM

NOTE: Single or twin arm assembly shall be tilted 3° above horizontal.

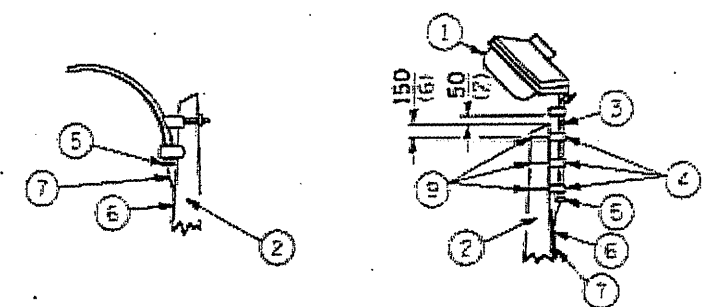


DAVIT ARM	BEND RADIUS
1.2 m (4'-0")	1.14 m (3'-9")
1.8 m (6'-0")	1.14 m (3'-9")
2.4 m (8'-0")	1.14 m (3'-9")
3.6 m (12'-0")	1.14 m (3'-9")

- DAVIT ARM
- DAVIT ARM-TWIN

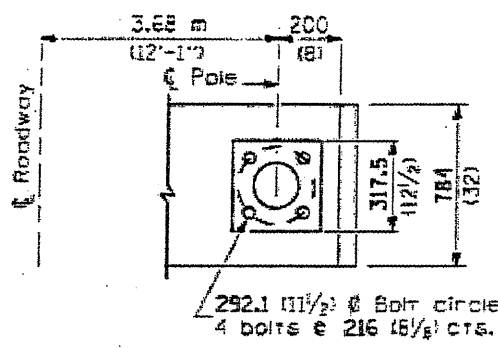
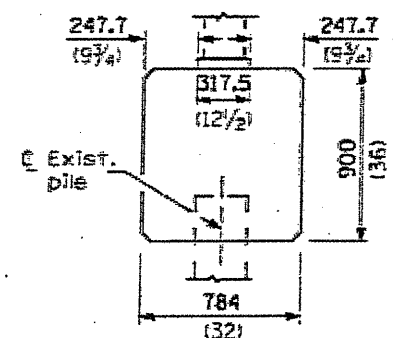
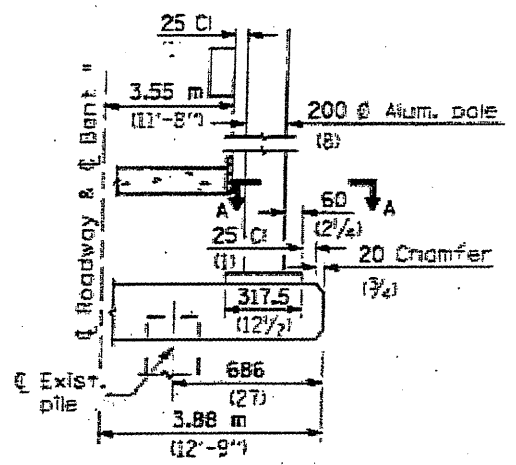


- TENON
- SHORT BRACKET
- SHORT BRACKET - TWIN



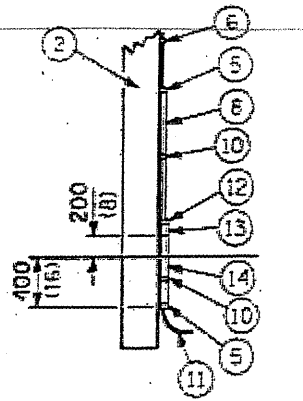
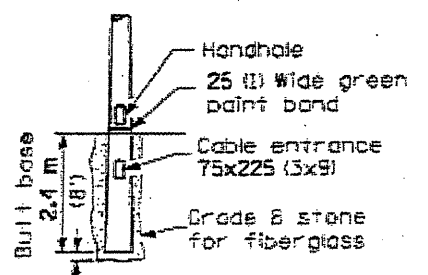
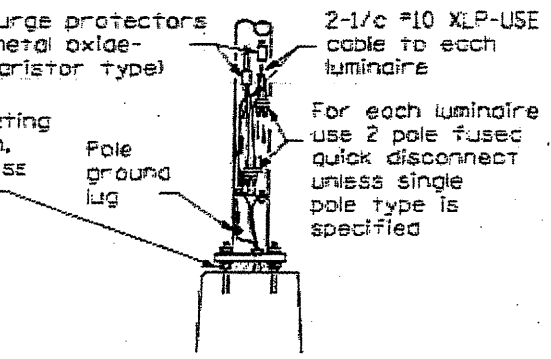
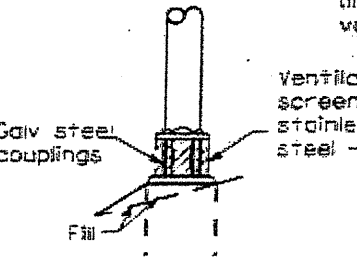
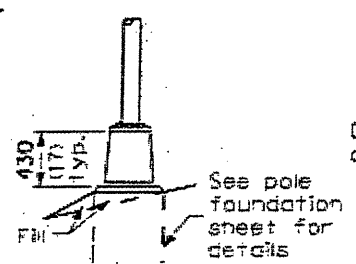
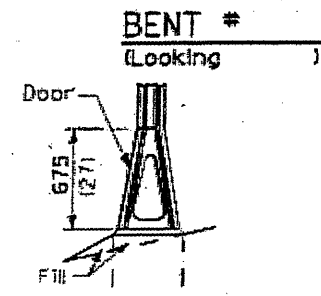
- MAST ARM
- TENON

- ① Luminaire
- ② Wood pole, class 3 or better
- ③ 63 (2 1/2) Galv. steel conduit
- ④ Single offset tee cone
- ⑤ Conduit bushing
- ⑥ Cable clamps on 600 (24) centers
- ⑦ 2/c #12 Type use cable
- ⑧ 25 (1) Galv. steel conduit 3.0 m (10') in length
- ⑨ 16 (5/8) # hot dipped galvanized bolt with flat washer & locknut (3 req'd)
- ⑩ Conduit clamps on 900 (36) centers
- ⑪ Unit duct
- ⑫ Threaded reducer
- ⑬ "C" Conduit, threaded
- ⑭ 40 (1 1/2) Galv. steel conduit for 1 unit duct or 75 (3) galv. steel conduit for 2 or 3 unit ducts.



- BRIDGE PIER MOUNT

SECTION A-A



- BUTT BASE
- POLE, WOOD

POLE LENGTH	DEPTH IN GROUND
15.8 m (52')	3.6 m (12')
18.0 m (60')	3.0 m (10')
16.5 m (55')	2.7 m (9')
16.0 m (50')	2.4 m (8')
13.7 m (45')	2.1 m (7')
12.0 m (40')	2.0 m (6.5')
10.7 m (35')	1.8 m (6')
9.0 m (30')	1.7 m (5.5')

All dimensions are in millimeters (inches) unless otherwise shown.

- STAINLESS STEEL FLAIR BASE
 - TRANSFORMER BASE
 - BREAKAWAY COUPLING
 - ANCHOR
 - FRANGIBLE
 - METAL OR CONCRETE
- Details for underground distribution if required.

DATE	REVISIONS
	Corrected 6/24/09

POLE STANDARDS

F.A.P. RTE.	SECTION	COUNTY	TOTAL SHEETS	SHEET NO.
669	(IURS-9A-2A,TS-4	TAZEWELL	102	56B
		ILLINOIS		CONTRACT NO. 68590

56B