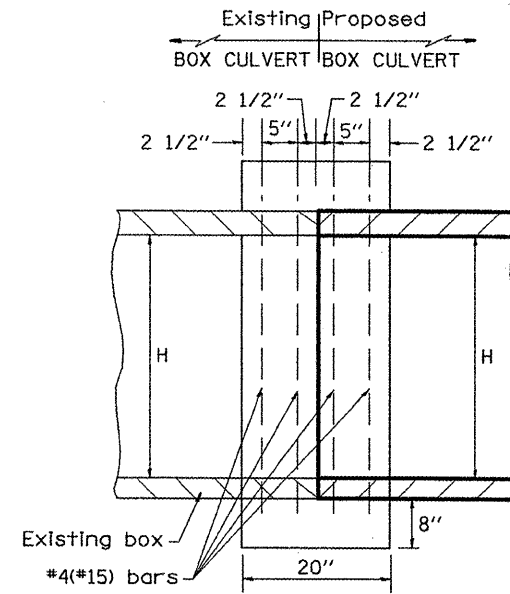


#4(#15) U BAR
FOUR REQUIRED
PER COLLAR



SECTION A - A

GENERAL NOTES

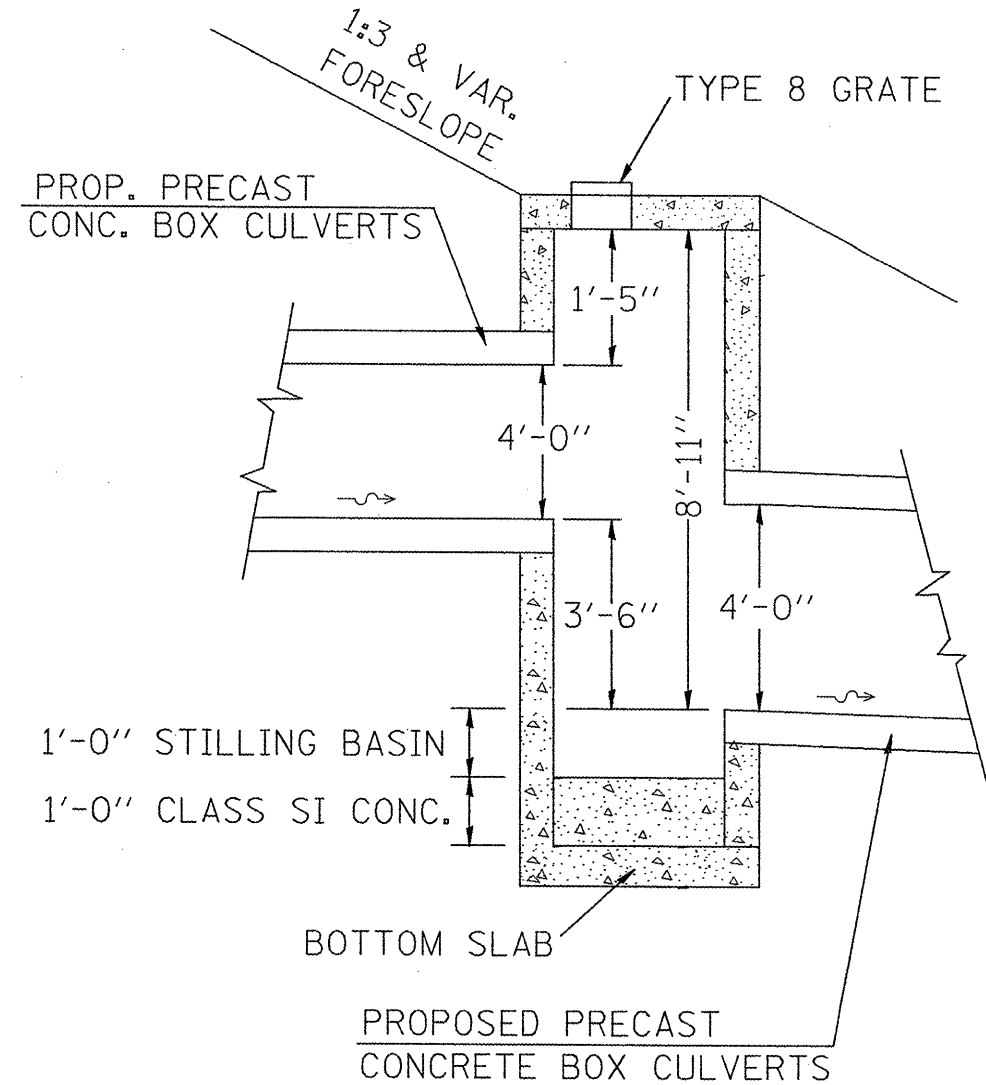
- The collar shall be constructed entirely of CLASS SI CONCRETE and in accordance with the applicable portions of section 503 of the Standard Specifications. REINFORCEMENT BARS shall conform to section 508.
- Expansion bolts shall consist of approved expansion anchors, and 3/4(M20) hook bolts which conform to Section 1006.09. These bolts shall extend at least 8(200) into the new concrete.

| EXIST. BOX | | PROP. BOX | | CLASS SI CONCRETE | | | REBARS | | | EXPANSION BOLTS EACH | |
|------------|----|-----------|----|---------------------------|-------|-------|--------|-------|-------|----------------------|-----------|
| W | H | W | H | CU. YD. (m ³) | A | B | T | X | Y | | LBS. (kg) |
| 4' | 4' | 4' | 4' | 0.90 | 6'-2" | 6'-2" | 8" | 5'-6" | 3'-3" | 32 | N/A |
| | | | | | | | | | | | |
| | | | | | | | | | | | |

#4 BAR WEIGHT= 0.668LB/FT

COLLAR DETAIL

▲ SHEET
REVISED
5-28-2010



SECTION VIEW

NOTES:

MANHOLE SHALL BE CONSTRUCTED ACCORDING TO SECTION 602 OF THE STANDARD SPECIFICATIONS, HIGHWAY STANDARD 602416, AND AS DETAILED HERE.

THE COST OF THE CLASS SI CONCRETE DETAILED HERE SHALL BE CONSIDERED INCLUDED IN THE COST OF THE MANHOLE

MANHOLE DETAIL

FILE NAME = IL116CULCSAUG.dgn
0468784-sht-plen.dgn

USER NAME = horstkj
PLOT SCALE = 20.0000' / IN.
PLOT DATE = 5/27/2010

DESIGNED -
DRAWN -
CHECKED -
DATE -

REVISED -
REVISED -
REVISED -
REVISED -

STATE OF ILLINOIS
DEPARTMENT OF TRANSPORTATION

MISCELLANEOUS DETAILS - CULVERT NO.1
NOT TO SCALE

SCALE: SHEET NO. OF SHEETS STA. TO STA.

| F.A.P. RTE. | SECTION | COUNTY | TOTAL SHEETS | SHEET NO. |
|--------------------|----------|--------|---------------------------|-----------|
| 665 | (140)I-1 | WARREN | 33 | 10 |
| CONTRACT NO. 68931 | | | ILLINOIS FED. AID PROJECT | |