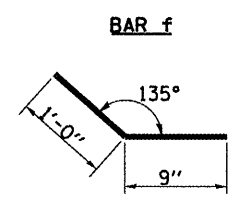


SECTION A-A

BILL OF MATERIALS

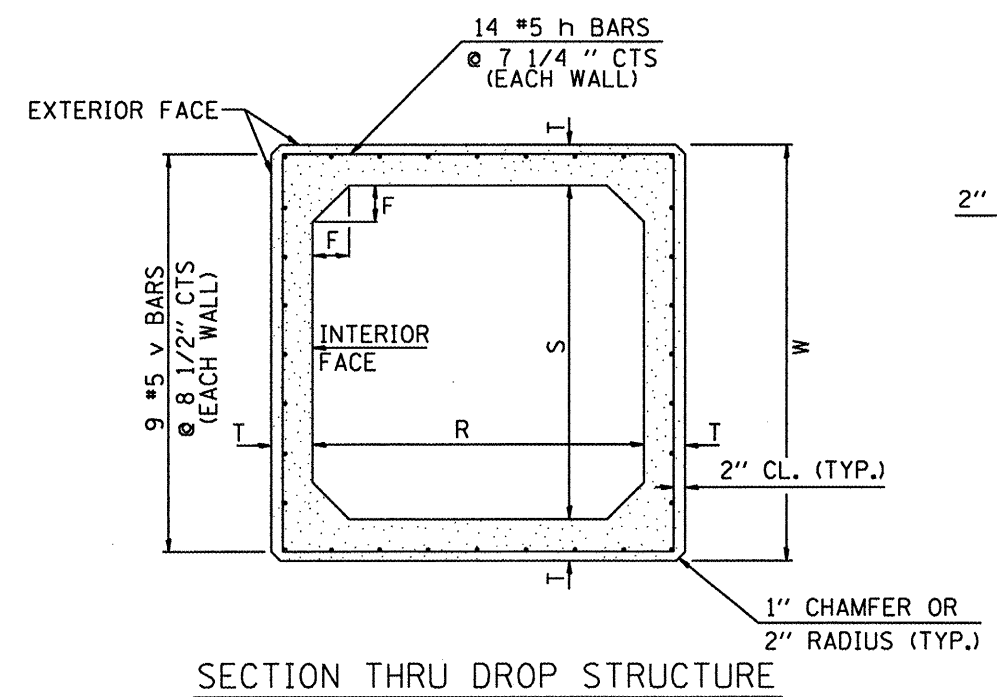
BAR	SIZE	NO.	LENGTH	WEIGHT (LB)
f	5	9	1'-9"	16.43
h	5	112	5'-8"	662.00
v	5	32	9'-5"	314.29
v ₁	5	9	.	**
DESCRIPTION			UNIT	QTY
CLASS "SI" CONCRETE			CU YD	6.5
REINFORCEMENT BARS			LB	993

- * CUT IN FIELD TO FIT
- ** WEIGHT IS INCLUDED IN v BARS PROVIDED AND SHALL BE CUT TO FIT IN THE FIELD

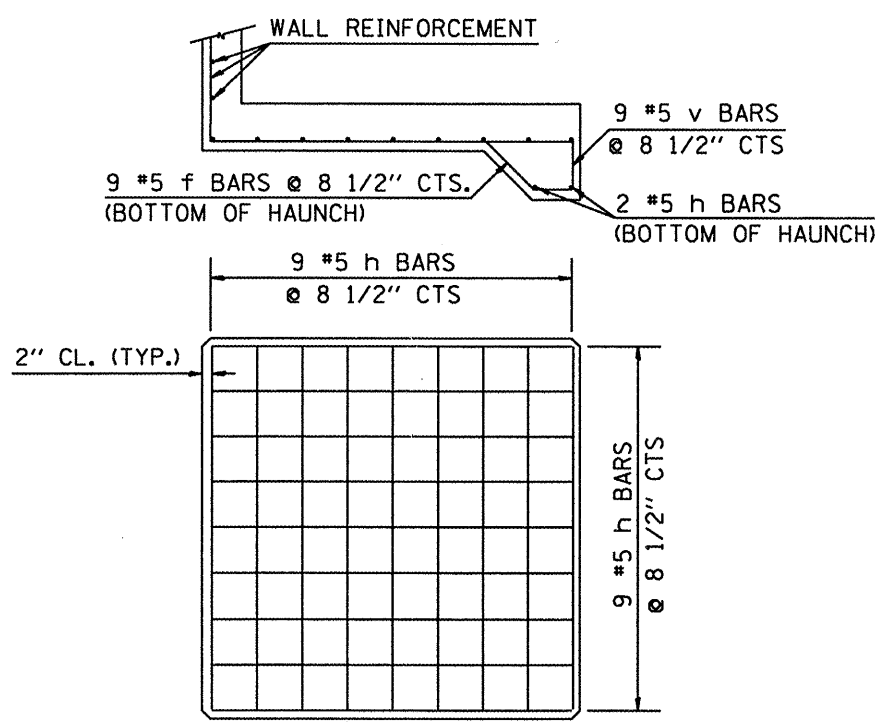


DIMENSIONS

S x R ft (mm)	T	W	Y	F
5' x 5' (1500 x 1500)	6" (150)	6'-0" (1.83m)	6'-0" (1.83m)	6" (150)



SECTION THRU DROP STRUCTURE



BOTTOM SLAB REINFORCEMENT

GENERAL NOTES

- DROP STRUCTURE NO. 1 shall be constructed entirely of CLASS SI CONCRETE and in accordance with the applicable portions of Section 503 and 540 of the Standard Specifications. REINFORCEMENT BARS shall conform to section 508. Bar size and spacing of precast concrete cover shall be the same as that of the bottom slab with two inch clearance from the top of cover.
- The h and v bars in the upstream and downstream walls shall be cut to fit in the field to accommodate the box culvert connections.
- The precast concrete cover shall be considered included in the unit price bid for Concrete Structures.

All slope ratios are expressed as units of vertical displacement to units of horizontal displacement (V:H).

All dimensions are in inches (millimeters) unless otherwise noted.