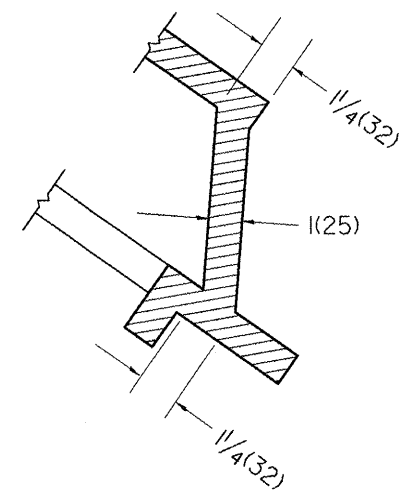
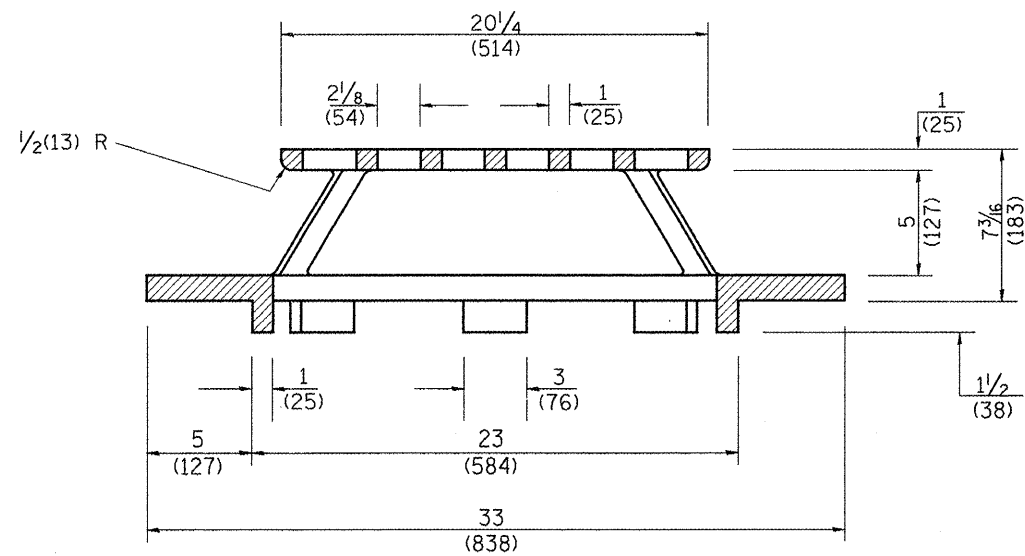


PLAN



SECTION B - B



SECTION A - A

GENERAL NOTES

- MATERIAL - Cast Gray Iron
Weight 209 lbs (95 kg)

DESIGNER NOTE:
1. INCLUDE DISTRICT SPECIAL PROVISION.

All dimensions are in inches (millimeters) unless otherwise noted.

01-01-97 RENUM. B-10.02, NEW REVISION BOX
10-16-06 REVISED TO 2007 SPEC.

T.P.
M.A.

STATE OF ILLINOIS
DEPARTMENT OF TRANSPORTATION

TYPE 37 GRATE

NOT TO SCALE

CADD STD. 604301-D4

F.A. RTE.	SECTION	COUNTY	TOTAL SHEETS	SHEET NO.
665	(140)I-1	WARREN	18	14
CONTRACT NO. 68931				
FED. ROAD DIST. NO. [ILLINOIS] FED. AID PROJECT				