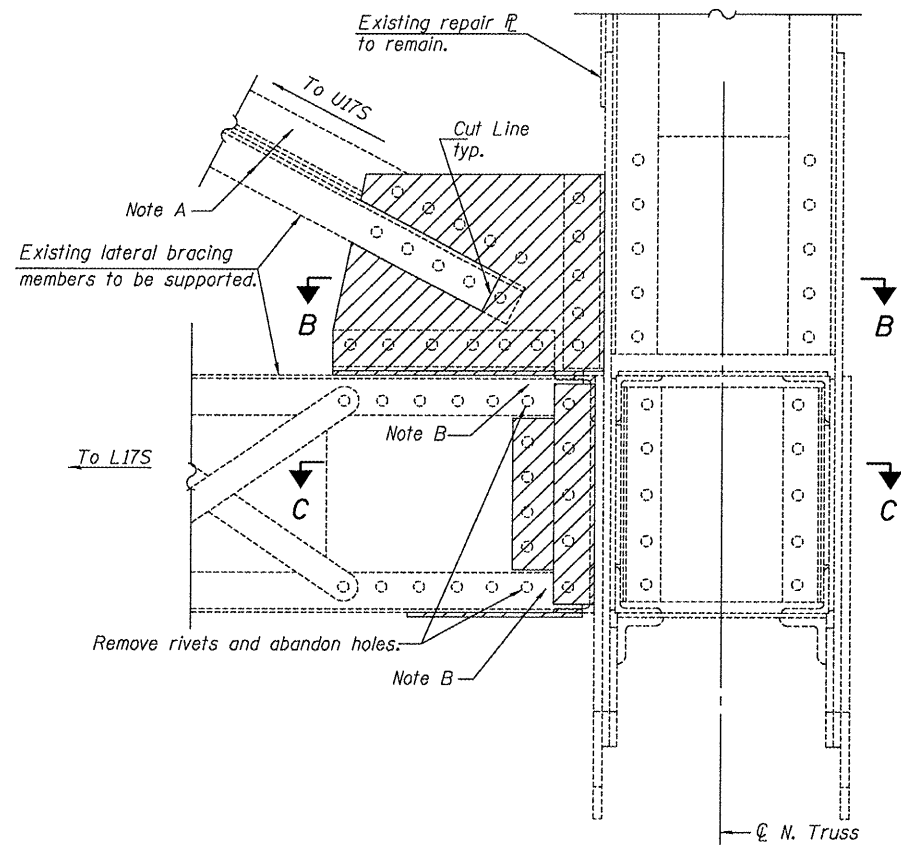
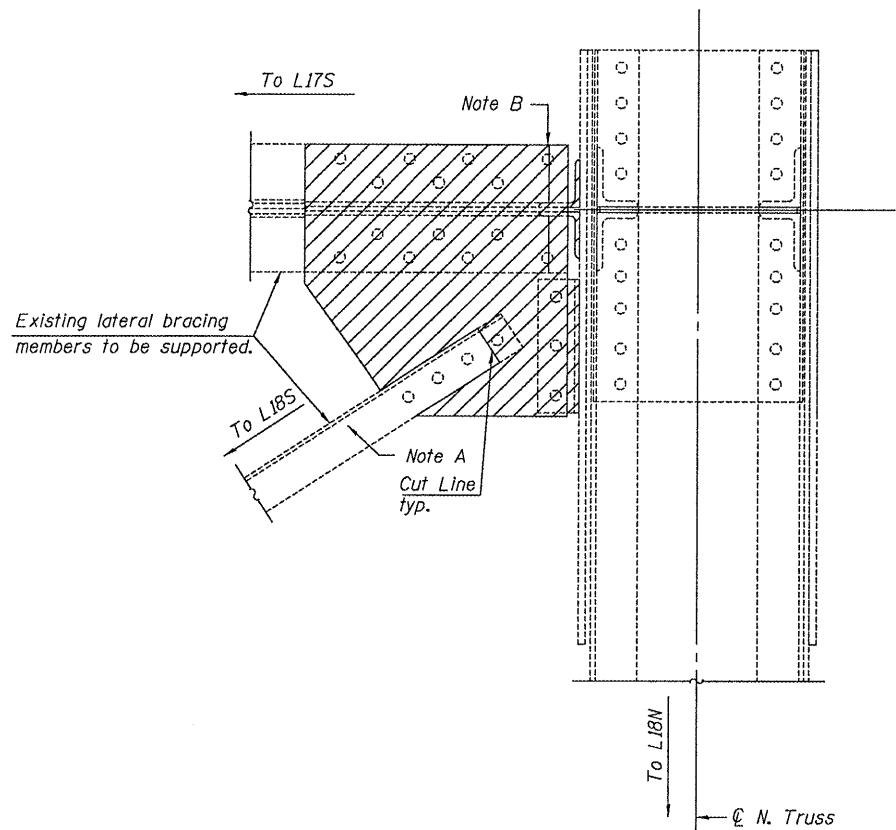


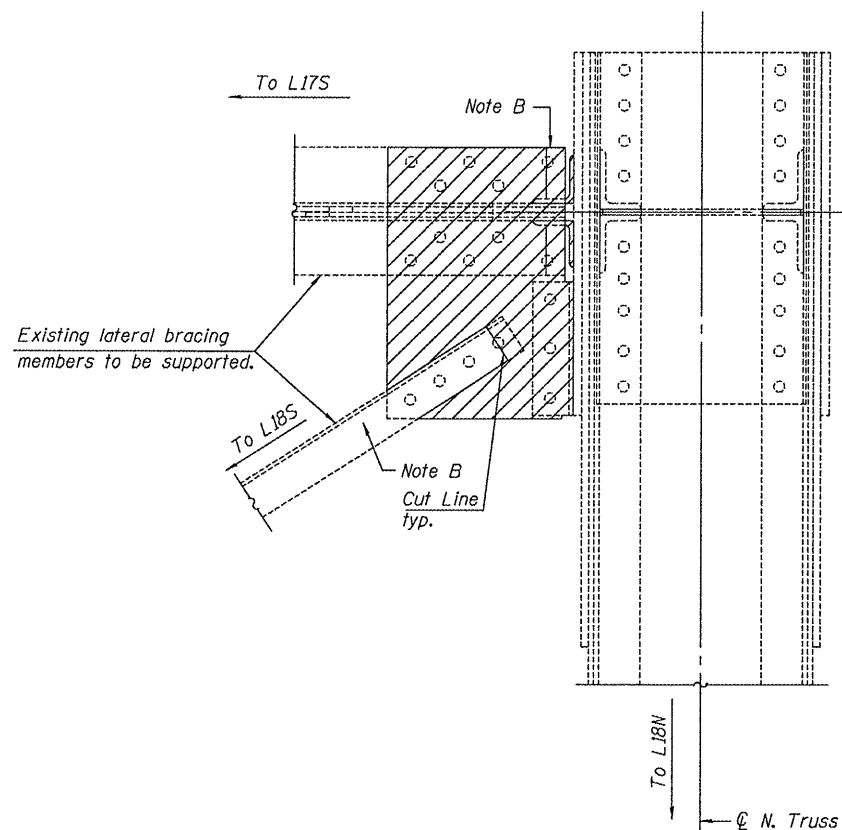
STATE OF ILLINOIS  
DEPARTMENT OF TRANSPORTATION



SECTION A-A



SECTION B-B



SECTION C-C

Notes:

Hatched areas indicate removal of existing Structural Steel. Cost included with "Structural Steel Repair".

Work this sheet with sheet 5, 7 and 8 of 13.

Note A:

Cut and remove 2<sup>3</sup>/<sub>8</sub>" from end of existing lateral bracing member to remain in place after removal of existing connection angles and plates. See Gusset Plate Repair Procedure step 3. Cut ends shall be ground smooth, cleaned and painted. Cost Included with "Structural Steel Repair".

Note B:

Cut and remove 1<sup>5</sup>/<sub>8</sub>" from end of existing lateral bracing member to remain in place after removal of existing connection angles and plates. See Gusset Plate Repair Procedure step 3. Cut ends shall be ground smooth, cleaned and painted. Cost Included with "Structural Steel Repair".

SPAN 12 L17N GUSSET P REPAIR DETAILS  
STRUCTURE NO. 090-0030

DESIGNED - SDS
CHECKED - FLL
DRAWN - DLH
CHECKED - SDS

**WHKS & CO.**  
ENGINEERING

7018 KINGSMILL CT.,  
SPRINGFIELD, IL  
(217) 483-9457  
DESIGN FIRM #184001036

\*\* PEORIA

SHEET NO. 6 13 SHEETS	F.A. RTE.	SECTION	COUNTY	TOTAL SHEETS	SHEET NO.
	669	103B-I-5	**	18	11
			CONTRACT NO. 68987		
ILLINOIS FED. AID PROJECT					