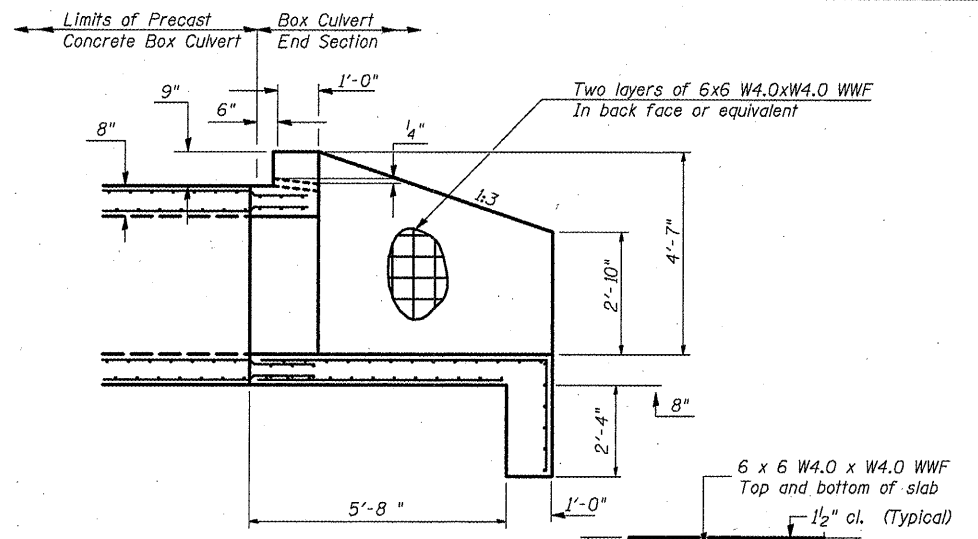
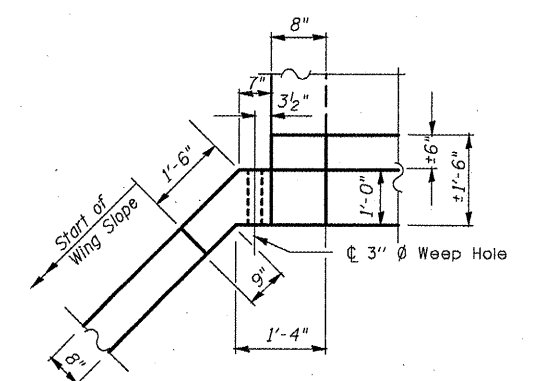


**END ELEVATION**

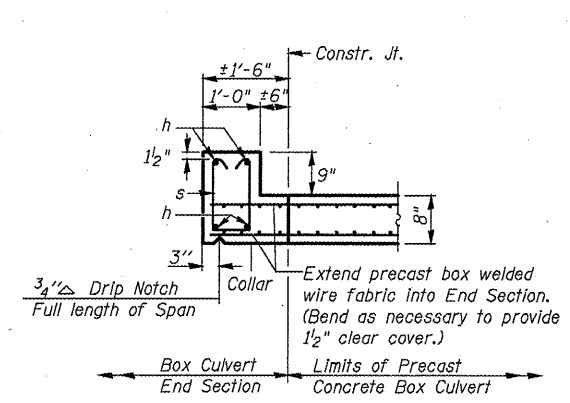


**HALFSIDE ELEVATION**  
(DIMENSIONS AT RIGHT ANGLES TO  $\phi$  ROADWAY)



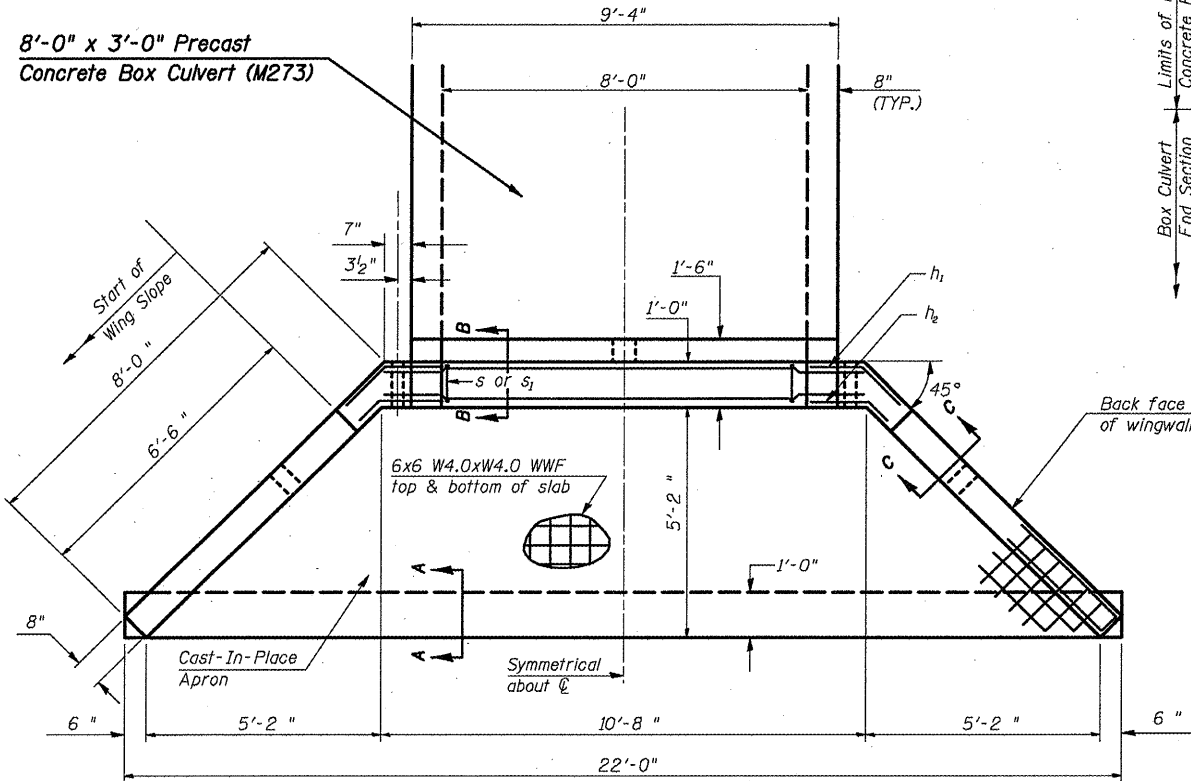
**CORNER DETAIL**

(Showing dimensions and weep hole)

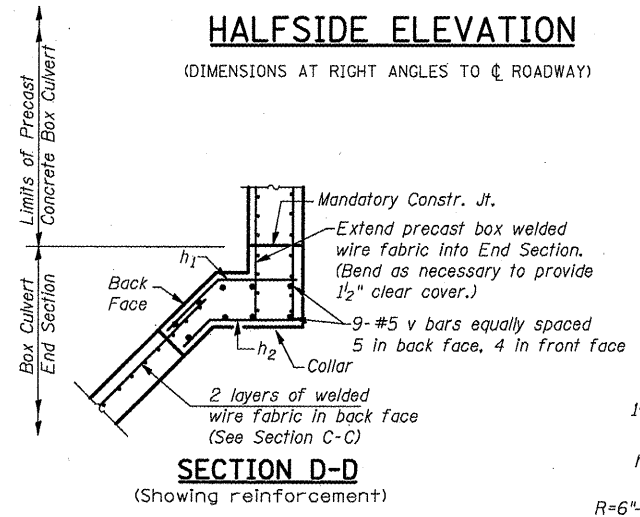


**SECTION F-F**

TOP SLAB / HEADWALL DOWNSTREAM END

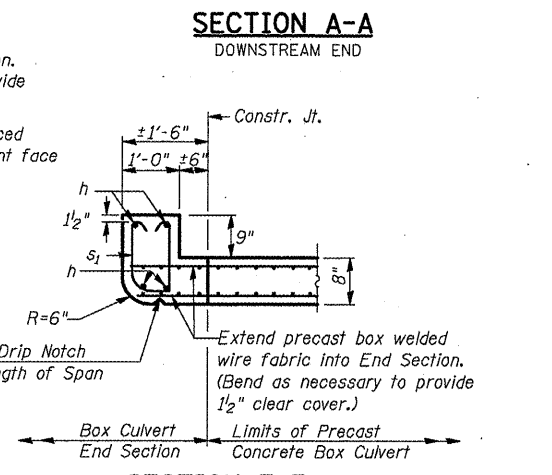


**8'-0" x 3'-0" Precast Concrete Box Culvert (M273)**



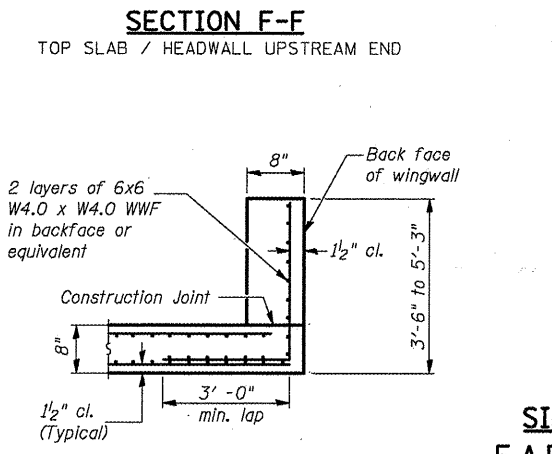
**SECTION D-D**

(Showing reinforcement)



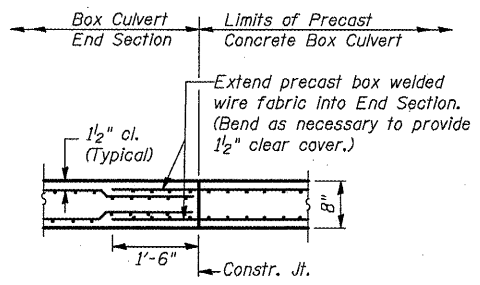
**SECTION A-A**

DOWNSTREAM END



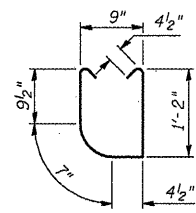
**SECTION F-F**

TOP SLAB / HEADWALL UPSTREAM END

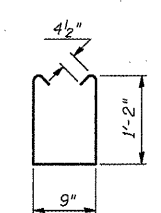


**SECTION B-B**

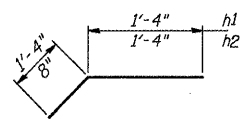
BOTTOM SLAB



**s1 BARS**  
UPSTREAM END



**s BARS**  
DOWNSTREAM END



**h1 & h2 BARS**

**BILL OF MATERIAL**  
For Information Only  
(One End Section)

Bar	No.	Size	Length	Shape
h	4	#6	10'-5"	—
h <sub>1</sub>	10	#4	2'-8"	—
h <sub>2</sub>	10	#4	2'-0"	—
s or s <sub>1</sub>	9	#4	3'-10"	□ □
v	18	#5	4'-10"	—
Item	Unit	Total		
Concrete Box Culverts	Cu. Yd.	7.0		
Reinforcement Bars	Pound	230.0		
Welded Wire Fabric	Sq. Ft.	391.0		

**END SECTION DETAILS**  
**SINGLE 8'x3' PRECAST BOX CULVERT**  
**F.A.P. ROUTE 323 - SECTION (145.146)CR**  
**DOUGLAS COUNTY**  
**STATION 504+56.81, S.N. 021-8052**  
**CULVERT NO. 1**

FILE NAME =	USER NAME = bucklesj	DESIGNED - RLA	REVISED -
ar\pw\work\PWIDOT\BUCKLESJ\145134382\0578696-shd-deta1.dgn		DRAWN - RLA	REVISED -
PLOT SCALE = 48.0000' / IN.		CHECKED - JMS	REVISED -
PLOT DATE = 3/22/2010		DATE - 11/4/09	REVISED -

**STATE OF ILLINOIS**  
**DEPARTMENT OF TRANSPORTATION**

**BOX CULVERT END SECTION DETAILS**  
**PROPOSED CULVERT NO. 1 - S.N. 021-8052**  
SCALE: N/A SHEET NO. 5 OF 5 SHEETS STA. TO STA.

F.A.P. RTE.	SECTION	COUNTY	TOTAL SHEETS	SHEET NO.
323	(145.146)CR	DOUGLAS	36	14
			CONTRACT NO. 70696	
ILLINOIS FED. AID PROJECT				