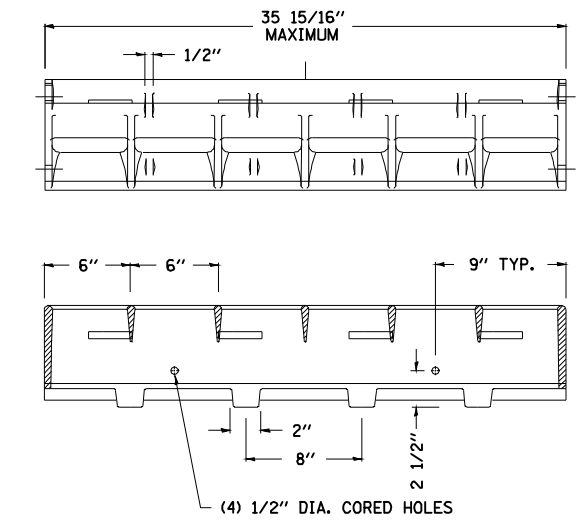
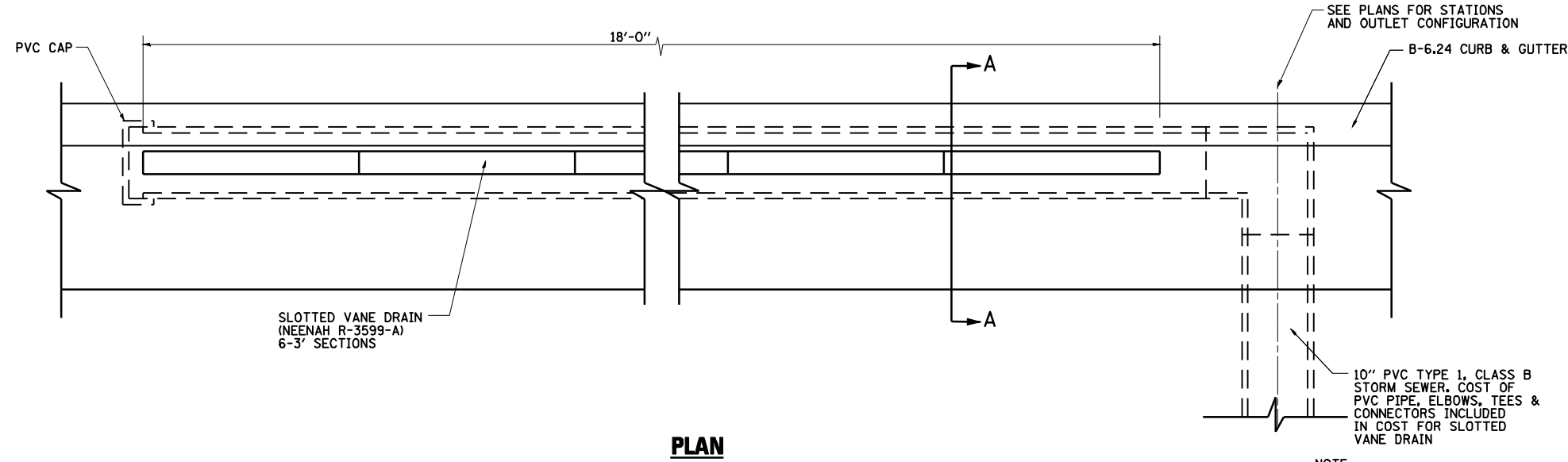


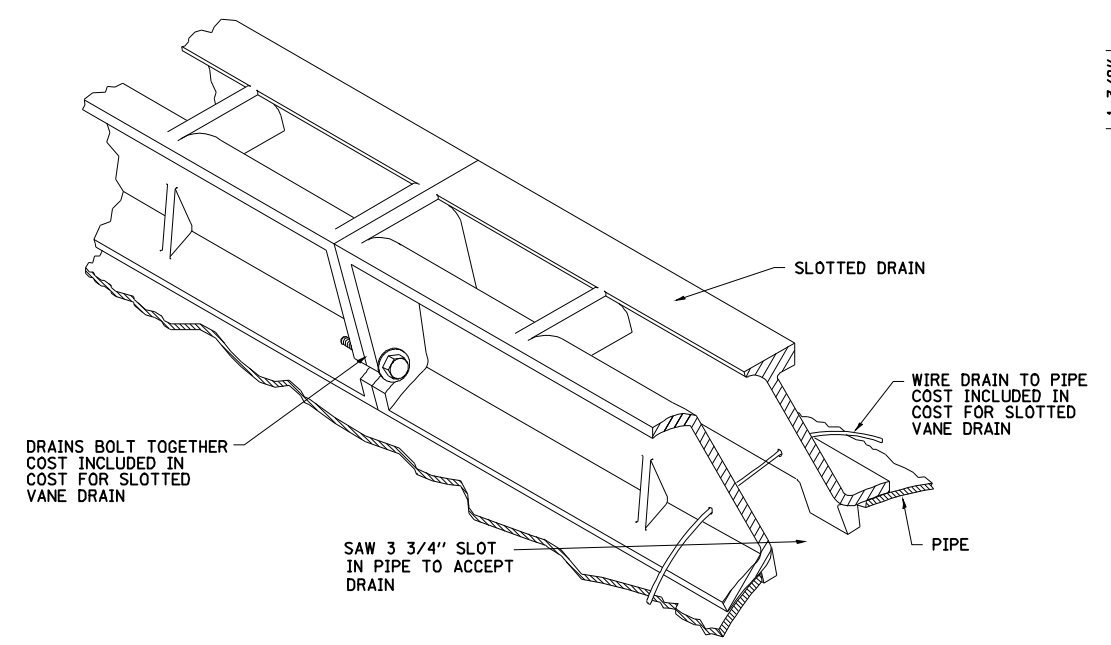
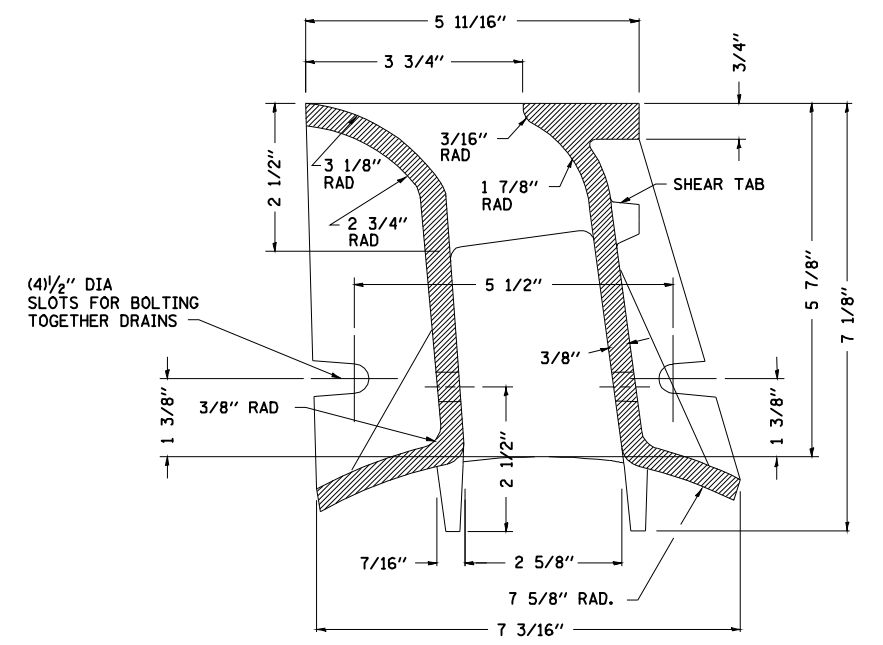
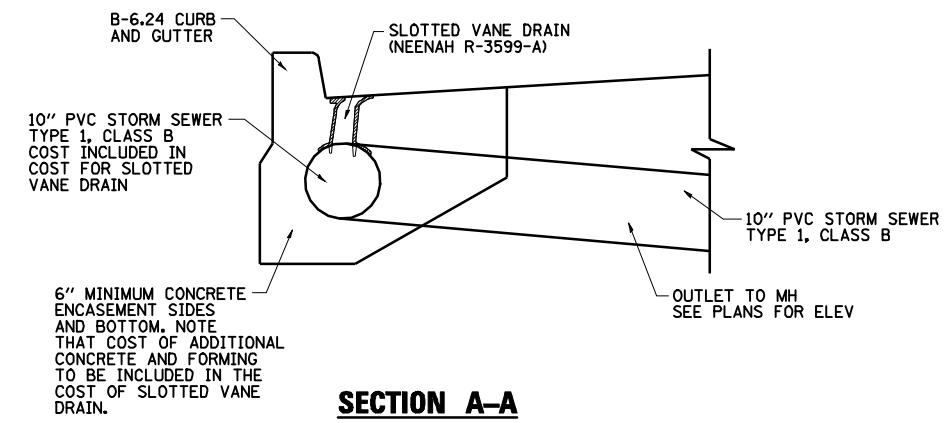
F.A.P. 72, F.A.P. 67, F.A.P. 75 & F.A.P. 668
 ** D-6 SPFLD-CLRLAKE DIRKSEN 2002

F.A.P. RTE.	SECTION	COUNTY	TOTAL SHEETS	SHEET NO.
*	**	SANGAMON	363	217
FED. ROAD DIST. NO.		ILLINOIS	FED. AID PROJECT	

CONTRACT NO. 72088



NOTE: FOLLOW THE MANUFACTURER'S SPECIFICATIONS FOR INSTALLATION.



REVISIONS	
NAME	DATE

ILLINOIS DEPARTMENT OF TRANSPORTATION

SLOTTED VANE DRAIN DETAIL

DATE 02/06

DRAWN BY MLO
 CHECKED BY CWG