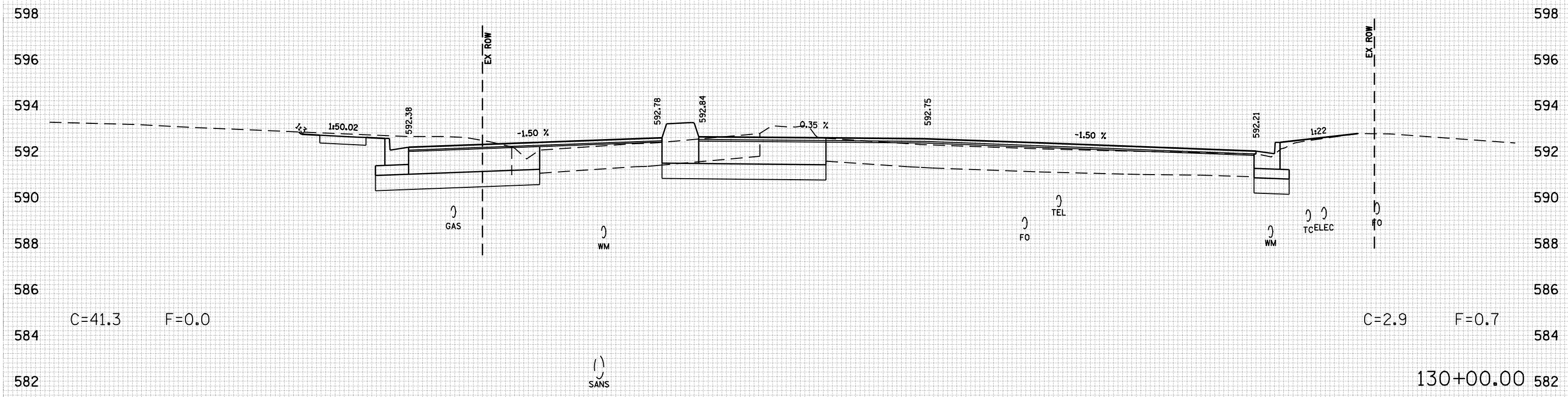


80 75 70 65 60 55 50 45 40 35 30 25 20 15 10 5 0 5 10 15 20 25 30 35 40 45 50 55 60 65 70 75 80

F.A. RTE.	SECTION	COUNTY	TOTAL SHEETS	SHEET NO.
•	••	SANGAMON	363	234
STA. 130+00.00		TO STA. 130+00.00		
FED. ROAD DIST. NO. ILLINOIS FED. AID PROJECT				
CONTRACT NO. 72088				
• F.A.I. 72, F.A.P. 67, F.A.P. 75 & F.A.P. 668				
•• D-6 SPFLD-CLRLAKE DIRKSEN 2002				

DATE	BY

DATE	BY



80 75 70 65 60 55 50 45 40 35 30 25 20 15 10 5 0 5 10 15 20 25 30 35 40 45 50 55 60 65 70 75 80