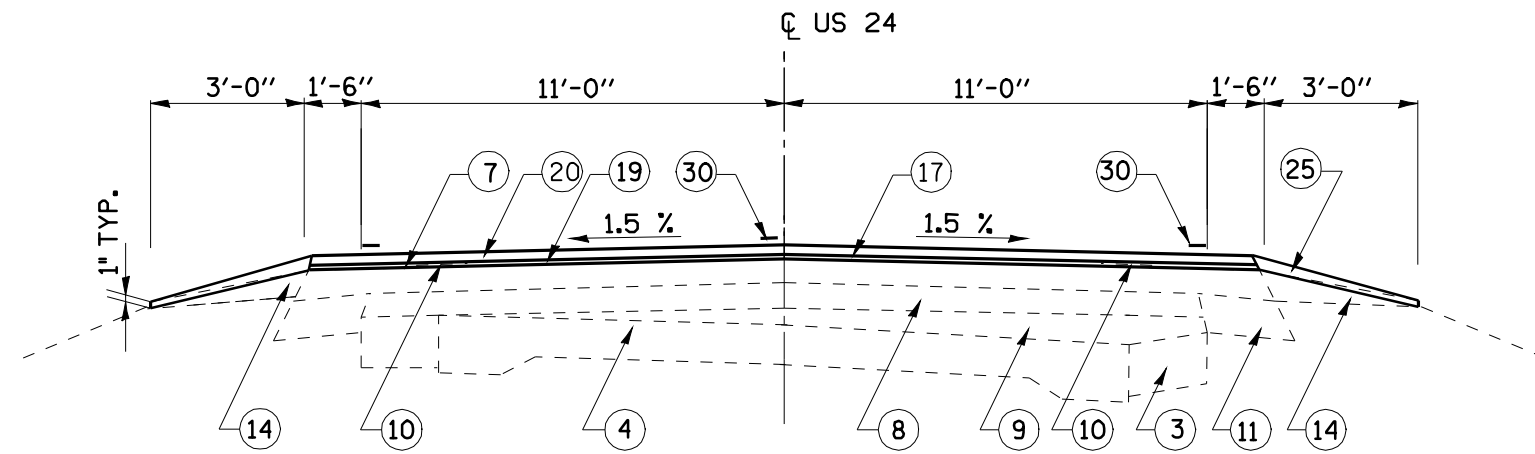


TYPICAL SECTION #8
FAP 317 (US 24)

STA. 159+57.61 TO STA. 169+56.49



TYPICAL SECTION #7
FAP 317 (US 24)

STA. 108+99.20 TO STA. 112+11.20
STA. 129+07.00 TO STA. 133+06.00

LEGEND

- ① EXSIT. SUB-BASE GRANULAR MATERIAL (VAR. 4"-10")
- ② EXIST. PCC PAVEMENT, 8"
- ③ EXIST. BASE COURSE WIDENING, 8"
- ④ EXIST. PCC PAVEMENT 9"-6"-9"
- ⑤ EXIST. NO. 4 TIE BAR
- ⑥ EXIST. HMA SURFACE (3 3/4")
- ⑦ EXIST. HMA SURFACE 2 1/4"
- ⑧ EXIST. HMA OVERLAY 6"
- ⑨ EXIST. LEVELING BINDER (VARIABLE DEPTH)
- ⑩ EXIST. STRIP REFLECTIVE CRACK CONTROL
- ⑪ EXIST. HMA SHOULDERS 6"
- ⑫ EXIST. HMA SHOULDERS 8"
- ⑬ EXIST. AGGREGATE SHOULDER, TYPE A
- ⑭ EXIST. AGGREGATE SHOULDER, TYPE B
- ⑮ EXIST. PCC GUTTER, TYPE B
- ⑯ EXIST. COMBINATION CONCRETE CURB AND GUTTER, TO BE REMOVED
- ⑰ PROP. HOT-MIX ASPHALT SURFACE REMOVAL (VARIABLE DEPTH)
- ⑱ PROP. HOT-MIX ASPHALT SURFACE REMOVAL 2 1/4"
- ⑲ PROP. LEVEL BINDER (MACHINE METHOD), N50 (3/4")
- ⑳ PROP. HOT-MIX ASPHALT SURFACE COURSE, MIX "C", N50 (1 1/2")
- ㉑ PROP. SAFETY SHOULDER - 1'-6" (HOT-MIX ASPHALT SHOULDER 6")
- ㉒ PROP. HOT-MIX ASPHALT SHOULDER - 2 1/4"
- ㉓ PROP. HOT-MIX ASPHALT SHOULDER - 8"
- ㉔ PROP. EXCAVATING AND GRADING EXSITING SHOULDERS
- ㉕ PROP. AGGREGATE SHOULDERS, TYPE B
- ㉖ PROP. HOT-MIX ASPHALT BASE COURSE, 11 1/4"
- ㉗ PROP. SUB-BASE GRANULAR MATERIAL, TYPE A 8"
- ㉘ PROP. PAVEMENT REMOVAL
- ㉙ PROP. COMBINATION CONCRETE CURB & GUTTER, TYPE B-6.24
- ㉚ PROP. PAINT PAVEMENT MARKING LINE 5"

NOTE:
FOR SUPERELEVATIONS, SEE SUPERELEVATION TRANSITION DETAIL SHEETS

• 9RS-4,(10,11)RS-3; (10B-1)R
•• BROWN & SCHUYLER COUNTIES

FILE NAME =	USER NAME = laughlinr1	DESIGNED -	REVISED -	STATE OF ILLINOIS DEPARTMENT OF TRANSPORTATION	TYPICAL SECTION			F.A.P. RTE.	SECTION	COUNTY	TOTAL SHEETS	SHEET NO.
er:\pwork\PWIDOT\LAUGHLINRL\dma20637\672432-ah-t-typico1.s.dgn	DRAWN -	REVISED -	317					.	**	196	12	
PLOT SCALE = 100.0000' / IN.	CHECKED -	REVISED -	CONTRACT NO. 72432									
PLOT DATE = Mar-23-2010 01:59:10PM	DATE -	REVISED -	SCALE:		SHEET NO.	OF SHEETS	STA.	TO STA.	FED. ROAD DIST. NO.	ILLINOIS FED. AID PROJECT		